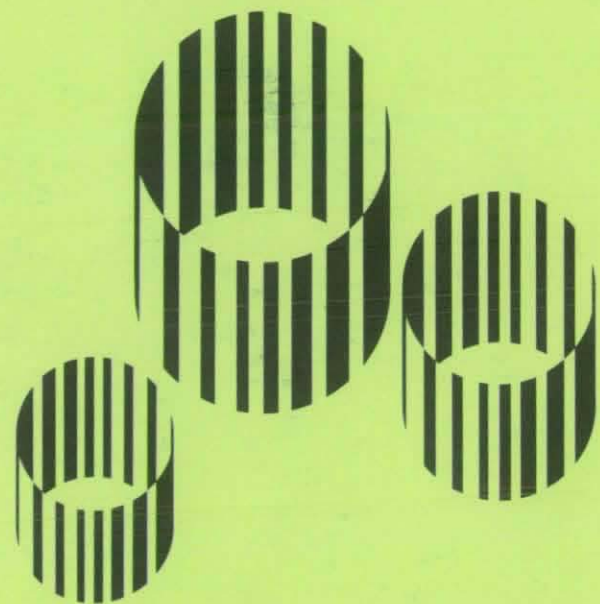


PEARL

DRUMS SPARE PARTS CATALOG



Pearl

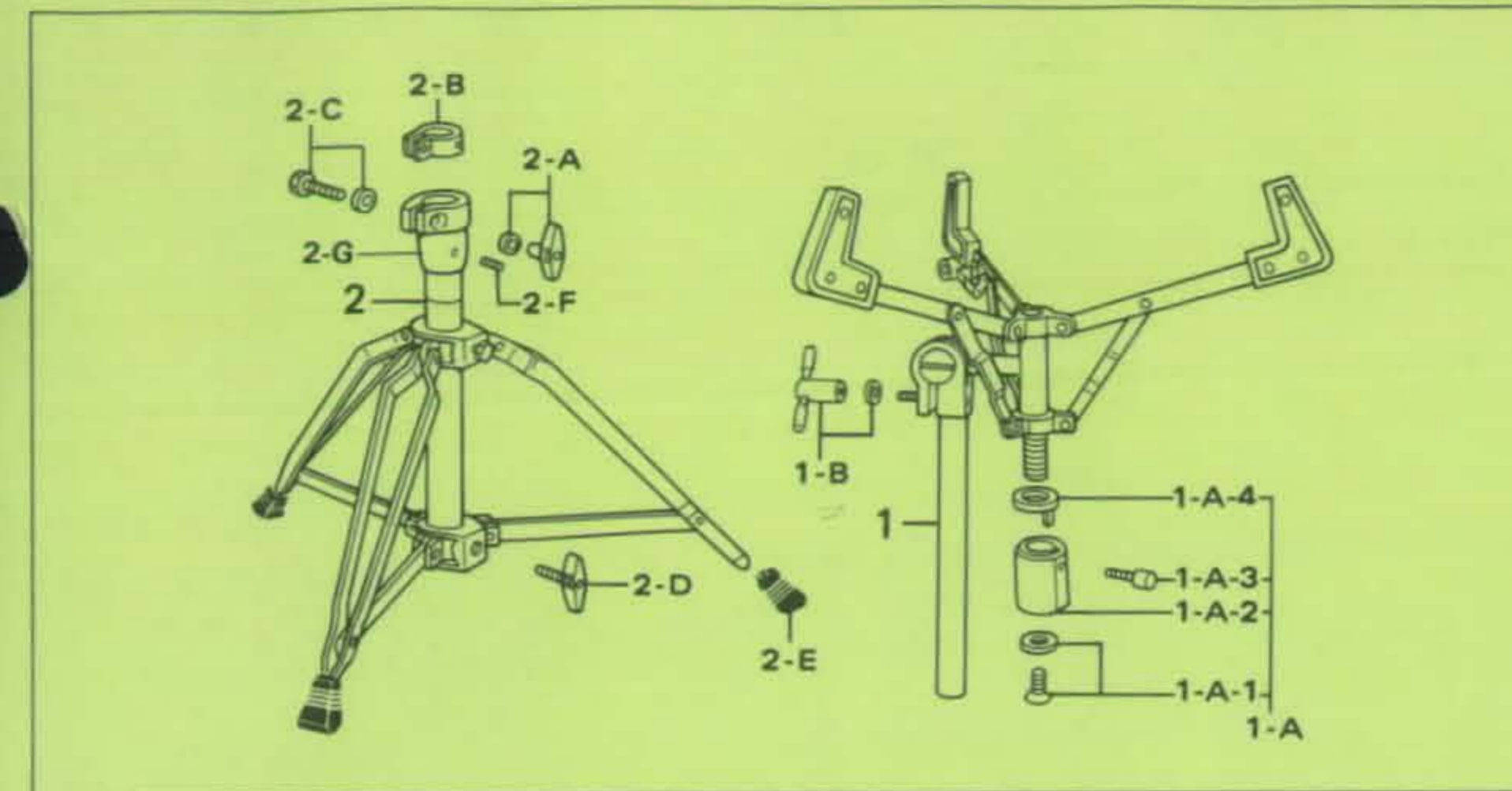
Pearl Dealer



Pearl

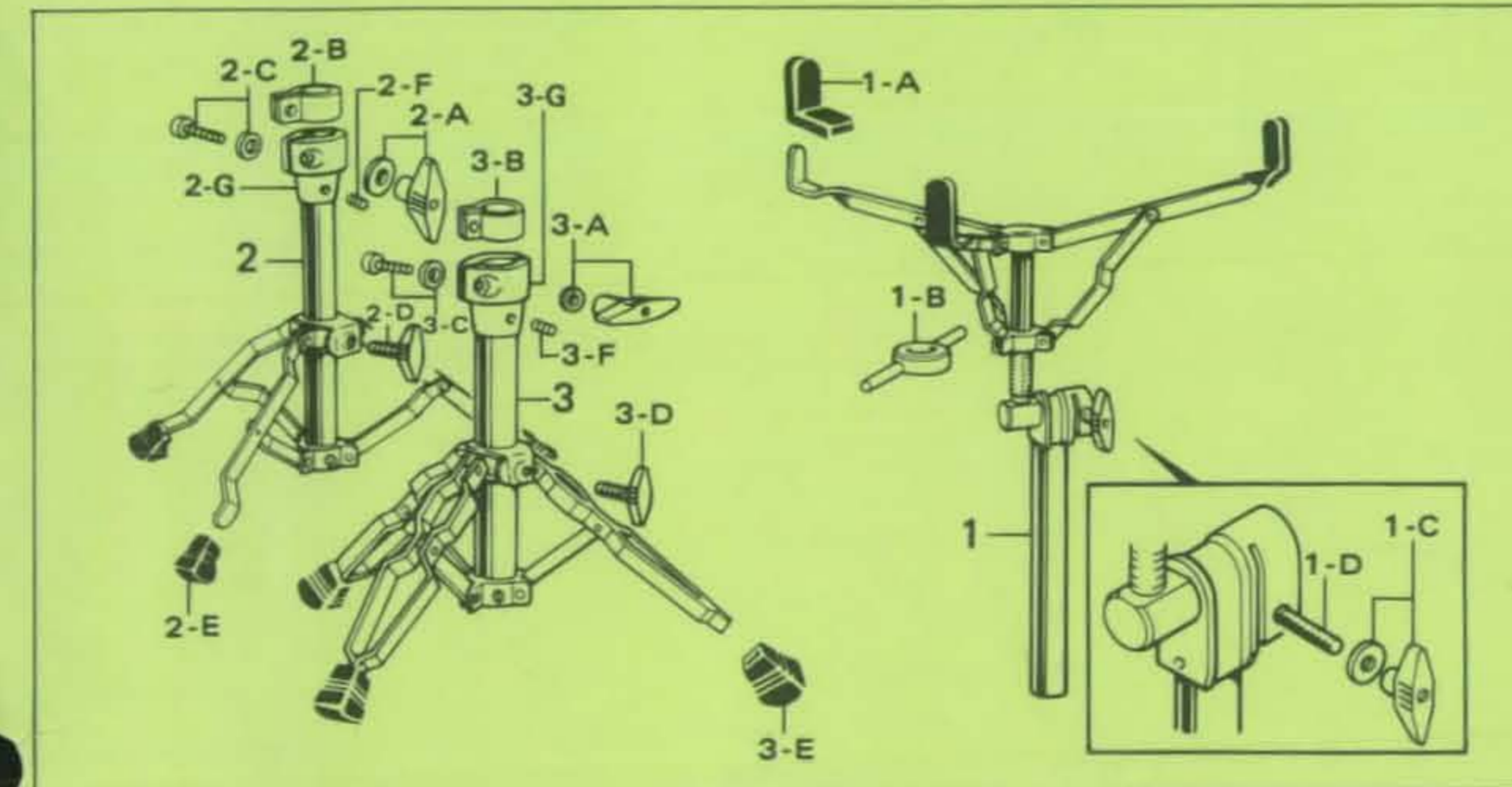
INDEX

	Page
SNARE DRUM STANDS	1
S-950W/S-850/S-850W/S-750/Rubber Tip	
FOOT PEDALS	2~3
P-950/P-880/P-850/P-780	
P-880TW/P-850TW/P-750/TA-90 (Twin Pedal Attachment)	
HI-HAT STANDS	4~5
H-950/H-850/H-850W/H-750	
RH-800(Remote Hat)/CLH-95A(Closed Hat)/HA-95 (Hi-Hat Attachment)	
CYMBAL BOOM STANDS	6
B-950W/B-950WT/B-850/B-850W/B-750	
CYMBAL STANDS	7
C-950W/C-850/C-850W/C-750/	
TL-95/TL-90/TL-80 (Cymbal Tilter)	
DRUMMER'S THRONES	8
D-900/D-850/D-730/	
TH-95/TH-95S/TH-80/TH-80S(Tom Holder Arm)	
TOM TOM STANDS	9
T-980W/T-850/T-850WB/TM-150 (Timbales stand)	
DRUM RACKS	10
DR-1/DR-2/PC-3/PC-2 (Pipe clamp)/73XN (Cowbell Holder)/721 (Bass Drum Anchor)	
CYMBAL HOLDERS/MICROPHONE HOLDERS	11
CH-95/CH-95T/CH-85/CH-75/	
MH-80L/MH-80S	
ADAPTORS	12
AX-30/AX-25/AX-25L/AX-20/Stop Locks	
HI-HAT CLUTCHES/DIE-CAST CLAMPS	13
CL-95/CL-90/Die-Cast Clamps+Nylon Bushings	
DRUM PARTS	14~17
BB-2 (Bass Drum Bracket)/BT-2 (Tom Tom Bracket)	
Tension Key Rods/Tension Handle Rods/Tension Hooks	
SP-30 (Bass Drum Spur)/730M (Bass Drum Spur)/	
Floor Tom Leg Brackets & Legs	
Hi-Tension Lugs/Super Gripper Lugs/Regular Lugs/3 Piece	
Hi-Tension Lugs	
Lug Posts for Free Floating System Snare Drums/Gaskets	
SNARE STRAINERS	19~20
S-011/S-011W/S-011E/S-014N	
S-012/S-013	
COUNTER HOOPS	21
Bass Drum Hoops/Super Hoops/Regular Hoops/Die-Cast Hoops/Hi-Tension Die-Cast Hoops	



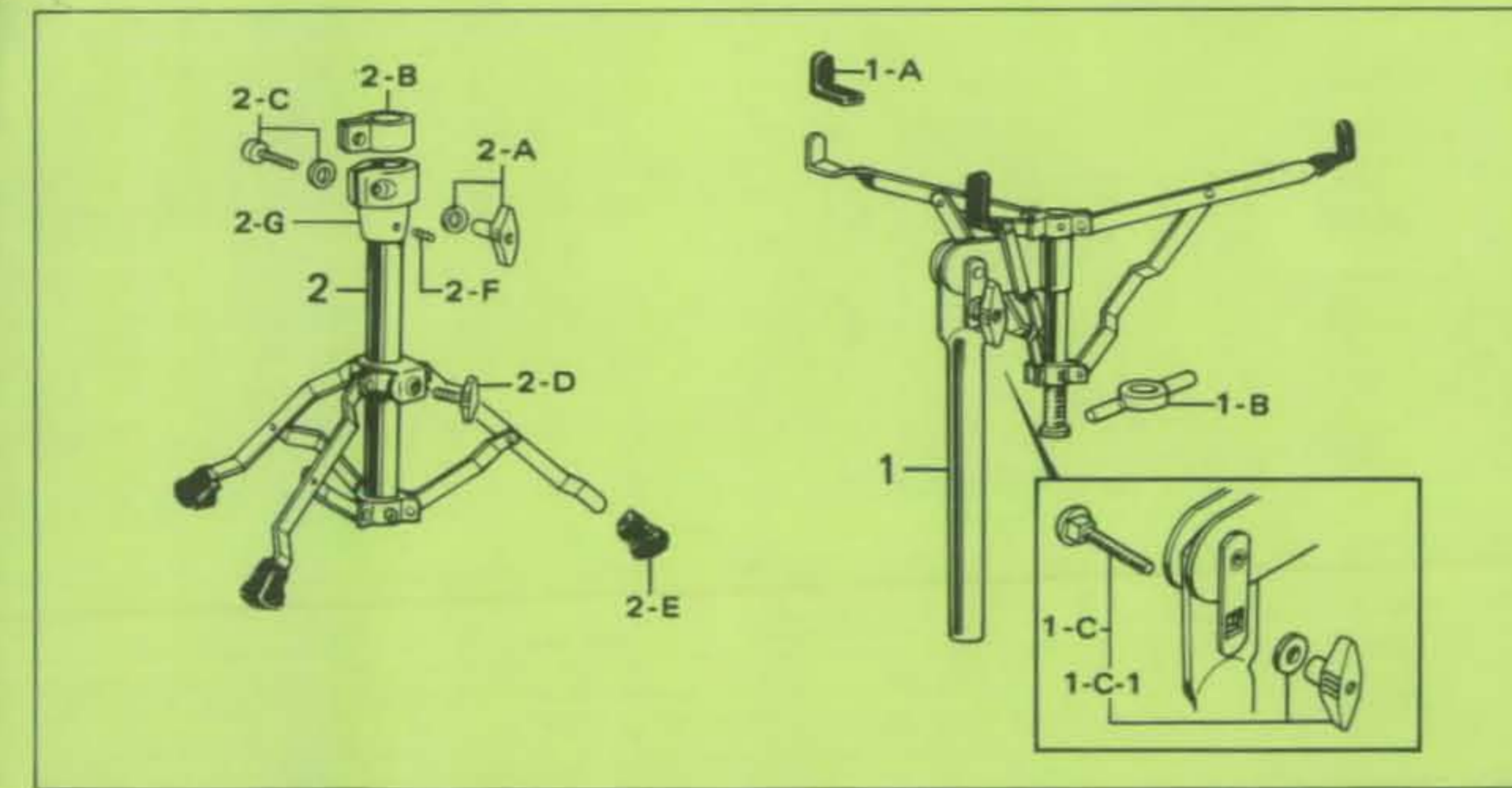
S-950W Snare Drum Stand

- 1 Basket Complete w/Upper Tube
- 1-A Screw Knob Assy. Complete
- 1-A-1 Screw w/Washer
- 1-A-2 Screw Knob ONLY
- 1-A-3 ME-219 Stop Bolt
- 1-A-4 Plastic Sleeve
- 1-B M-8C Handle Nut w/Washer
- 2 Base Assy. Complete
- 2-A M-6 Die-Cast Wing Nut w/Washer
- 2-B NB-7N Nylon Bushing
- 2-C SN-635 Clamp Bolt w/Nylon Washer
- 2-D M-815 Die-Cast Wing Bolt
- 2-E R-20 Rubber Tip
- 2-F SB-44 Allen Screw
- 2-G DJ-70 Die-Cast Joint



S-850/S-850W Snare Drum Stand

- 1 Basket Complete w/Upper Tube
- 1-A Rubber Sleeve
- 1-B Center Handle Nut
- 1-C M-6 Die-Cast Wing Nut w/Washer
- 1-D S-640 Clamp Bolt
- 2 Base Assy. Complete (for S-850)
- 2-A M-6 Die-Cast Wing Nut w/Washer
- 2-B NB-7N Nylon Bushing
- 2-C SN-635 Clamp Bolt w/Nylon Washer
- 2-D M-815 Die-Cast Wing Bolt
- 2-E R-20 Rubber Tip
- 2-F SB-44 Allen Screw
- 2-G DJ-70 Die-Cast Joint
- 3 Base Assy. Complete (for S-850W)
- 3-A M-6 Die-Cast Wing Nut w/Washer
- 3-B NB-7N Nylon Bushing
- 3-C SN-635 Clamp Bolt w/Nylon Washer
- 3-D M-820 Die-Cast Wing Bolt
- 3-E R-10 Rubber Tip
- 3-F SB-44 Allen Screw
- 3-G DJ-70 Die-Cast Joint

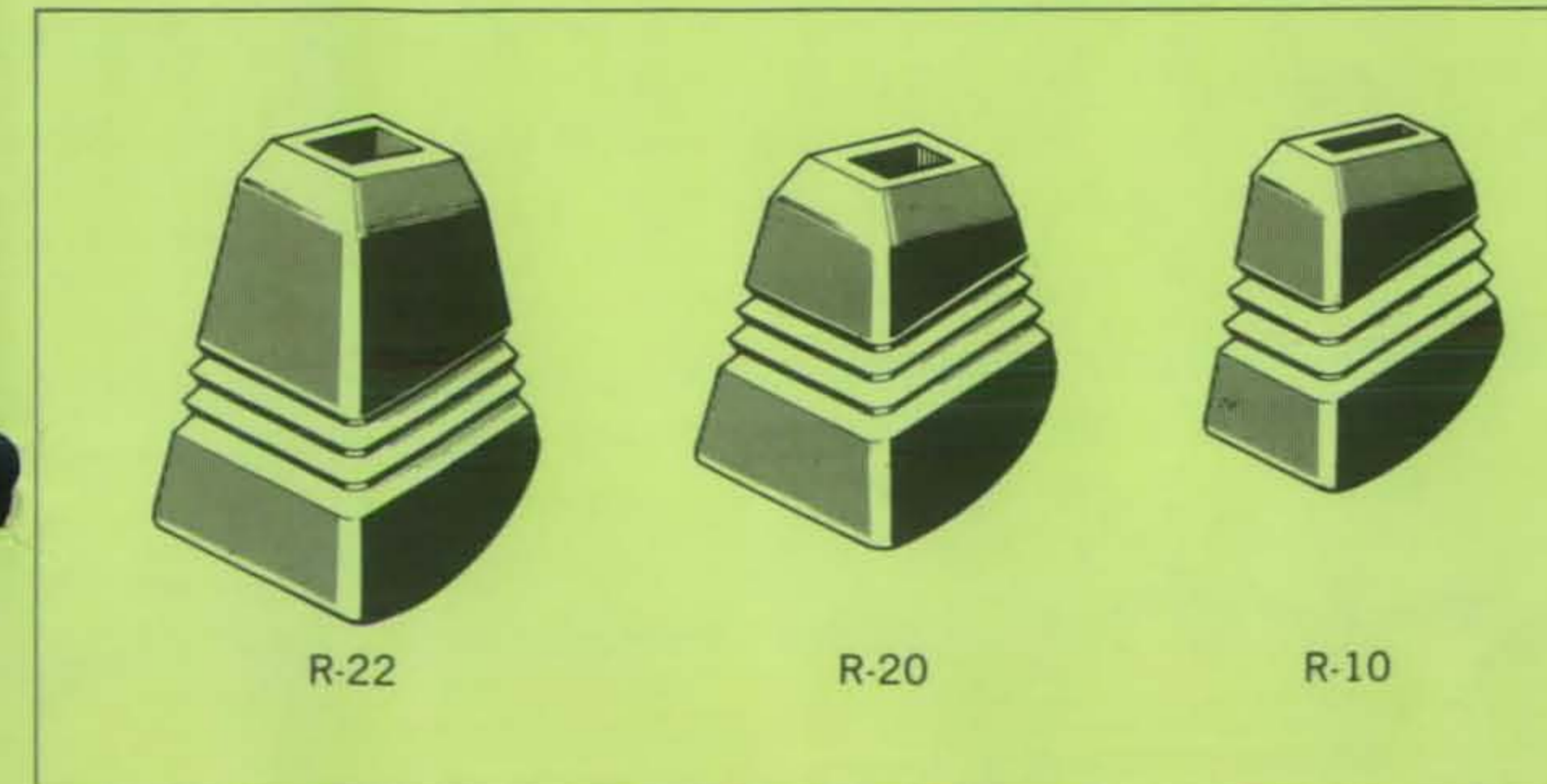


S-750 Snare Drum Stand

- 1 Basket Complete w/Upper Tube
- 1-A Rubber Sleeve
- 1-B Center Handle Nut
- 1-C Wing Nut & Bolt Assy.
- 1-C-1 M-8A Die-Cast Wing Nut w/Washer
- 2 Base Assy. Complete
- 2-A M-6 Die-Cast Wing Nut w/Washer
- 2-B NB-7N Nylon Bushing
- 2-C SN-635 Clamp Bolt w/Nylon Washer
- 2-D M-815 Die-Cast Wing Bolt
- 2-E R-10 Rubber Tip
- 2-F SB-44 Allen Screw
- 2-G DJ-70 Die-Cast Joint

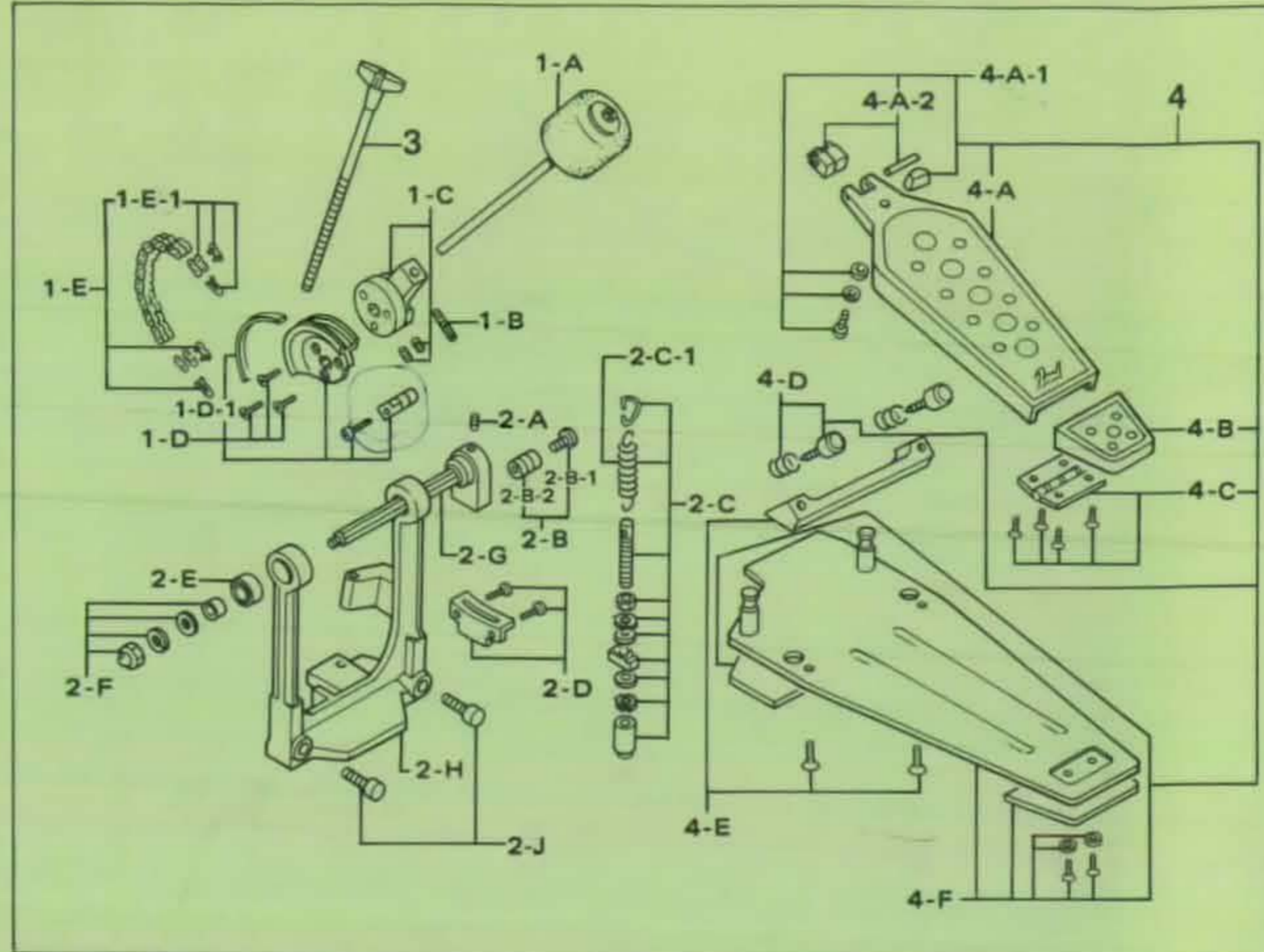
Rubber Tip

Number	Application
R-10	H-850, H-750, S-750, S-850, C-850, C-750, B-850, B-750, T-850, D-730, TM-150 stand
R-20	H-850W, S-950W, S-850W, D-900, D-850
R-22	B-850W, C-850W, T-950W, H-850W
R-24	B-950W, B-950WT, C-950W, T-850WB
(Not shown)	



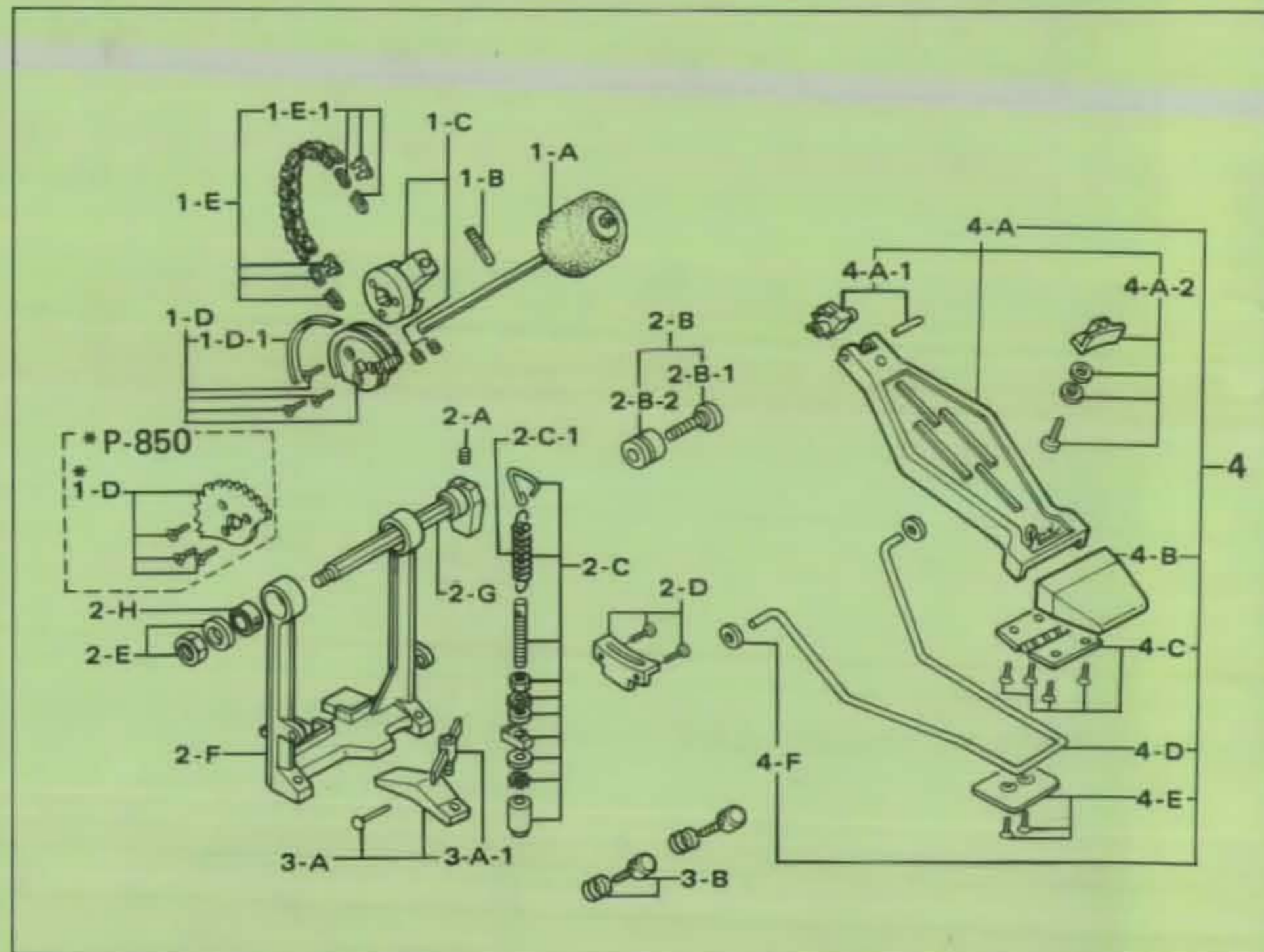
P-950 Foot Pedal

- 1-A B-150BB Pedal Beater/Hard Felt
- 1-B SC-23 Beater Setting Bolt (Key Bolt)
- 1-C BL-1A Beater Holder Link w/Allen Screws
- 1-D Plastic Pulley w/Screws
- 1-D-1 Felt Strip
- 1-E Connecting Chain Assy. Complete
- 1-E-1 Chain End Connector Assy.
- 2-A SB-45 Allen Screw
- 2-B Cam Assy. Complete
- 2-B-1 Cam Bolt
- 2-B-2 Cam Roller
- 2-C Spring Assy. Complete
- 2-C-1 Spring ONLY
- 2-D Beater Angle Adjustment Plate w/Screws
- 2-E Bearing ONLY
- 2-F End Nut w/Washers
- 2-G Hexagonal Shaft Assy. Complete w/Cam & Bearing
- 2-H Pedal Frame ONLY
- 2-J ME-219 Floor Plate Clamp Bolt (one each)
- 3 Hoop Clamp Bolt
- 4 Footboard Assy. Complete
- 4-A Footboard w/Toe Stopper
- 4-A-1 Toe Stopper Assy.
- 4-A-2 Chain Connector w/Pin
- 4-B Heel Plate
- 4-C Joint Hinge w/Screws
- 4-D LT-636 Anchor Screws w/Spring (one each)
- 4-E Anchor Plate w/Screws
- 4-F Floor Plate Assy. Complete



P-880/*P-850 Foot Pedal

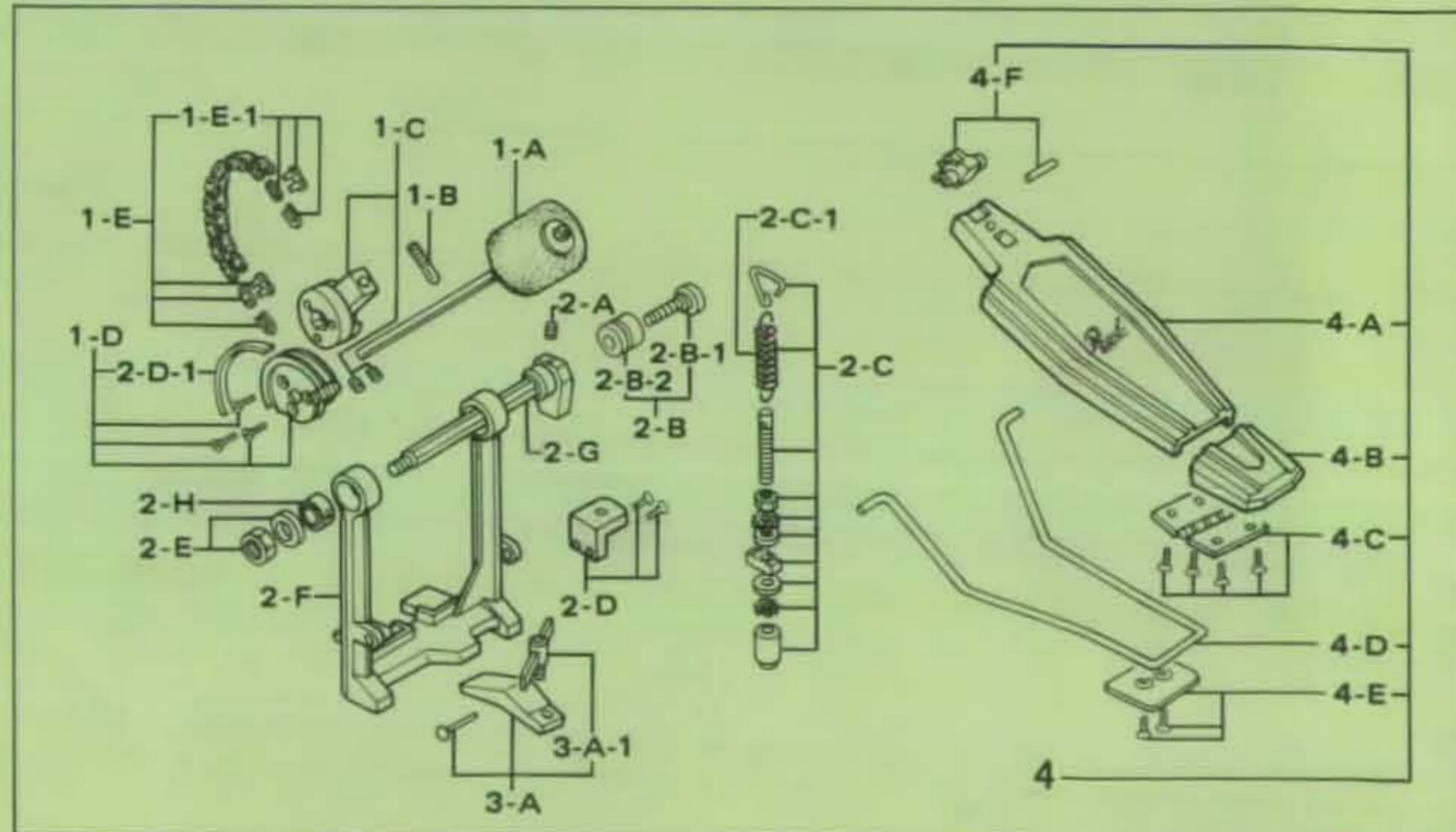
- 1-A B-150BB Pedal Beater/Hard Felt
- 1-B SC-23 Beater Setting Bolt (Key Bolt)
- 1-C BL-1A Beater Holder Link w/Allen Screws
- 1-D PLP-1S Plastic Pulley (or Wheel) w/Screws
- 1-D-1 Felt Strip
- 1-D SS-1S Steel Sprocket w/Screws
- 1-E Connecting Chain Assy. Complete
- 1-E-1 Chain End Connector Assy.
- 2-A SB-45 Allen Screw
- 2-B Cam Assy. Complete
- 2-B-1 Cam Bolt
- 2-B-2 Cam Roller
- 2-C Spring Assy. Complete
- 2-C-1 Spring ONLY
- 2-D Beater Angle Adjustment Plate w/Screws
- 2-E End Nut w/Washer
- 2-F Pedal Frame ONLY
- 2-G Hexagonal Shaft Assy. Complete w/Cam & Bearing
- 2-H Bearing ONLY (one piece)
- 3-A Hoop Clamp Assy. Complete
- 3-A-1 ME-69 Handle Bolt
- 3-B LT-626 Anchor Screw w/Spring (one each)
- 4 Footboard Assy. Complete
- 4-A Footboard w/Toe Stopper
- 4-A-1 Chain Connector w/Pin
- 4-A-2 Toe Stopper Assy.
- 4-B Heel Plate
- 4-C Joint Hinge w/Screws
- 4-D Radius Rod ONLY
- 4-E Radius Rod Cover w/Screws
- 4-F Push Nut (Radius Rod Stopper/one each)



Note: P-850 is not available in the U.S.A.

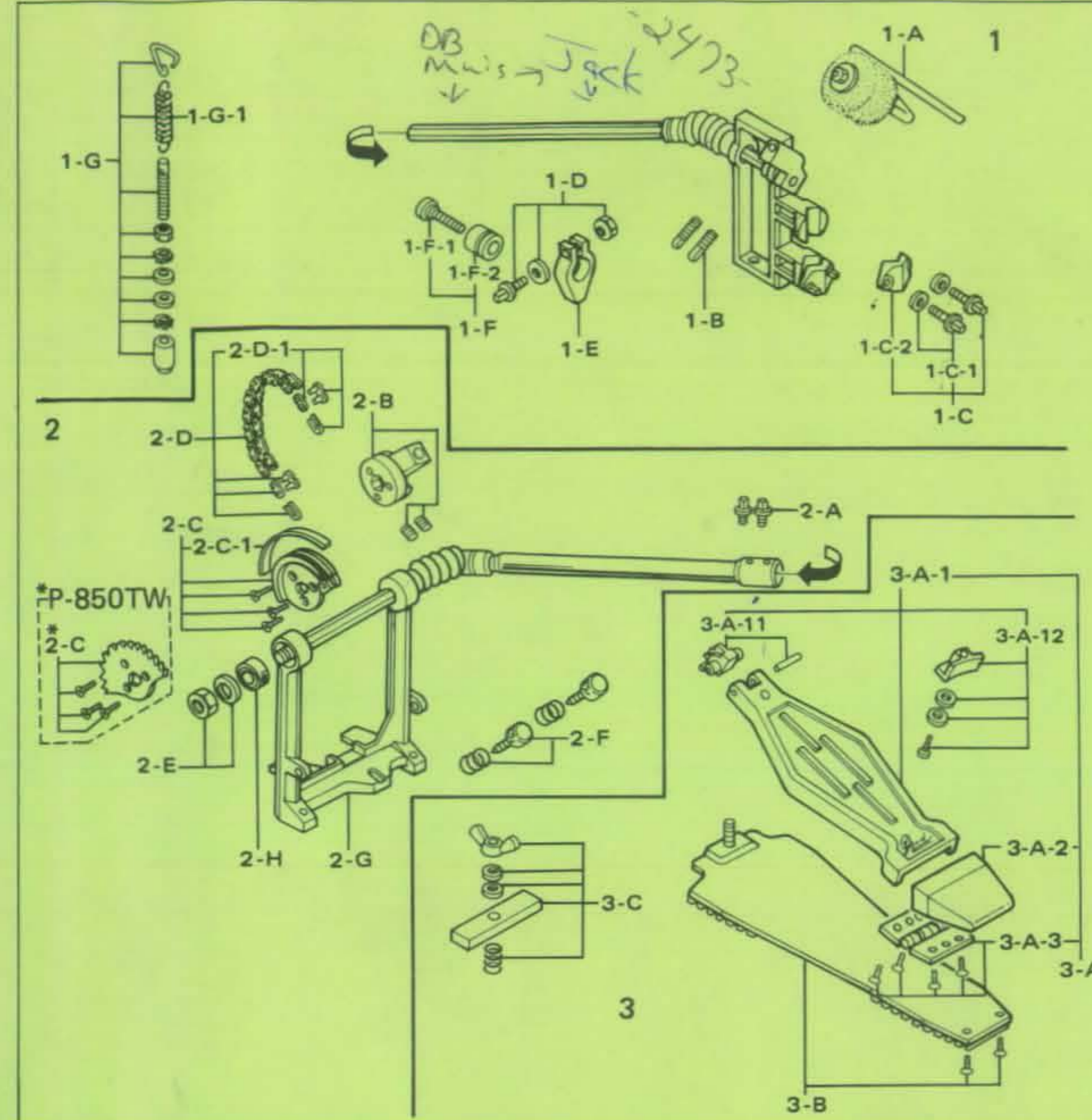
P-780 Foot Pedal

- 1-A B-150C Pedal Beater/Hard Felt
- 1-B SC-23 Beater Setting Bolt (Key Bolt)
- 1-C BL-1A Beater Holder Link w/Allen Screw
- 1-D PLP-1S Plastic Pulley w/Screws
- 1-D-1 Felt Strip
- 1-E Connecting Chain Assy. Complete
- 1-E-1 Chain End Connector Assy.
- 2-A SB-45 Allen Screw
- 2-B Cam Assy. Complete
- 2-B-1 Cam Bolt
- 2-B-2 Cam Roller
- 2-C Spring Assy. Complete
- 2-C-1 Spring ONLY
- 2-D Beater Angle Adjustment Plate w/Screws
- 2-E End Nut w/Washer
- 2-F Pedal Frame ONLY
- 2-G Hexagonal Shaft Assy. Complete w/Cam & Bearing
- 2-H Bearing ONLY
- 3-A Hoop Clamp Assy. Complete
- 3-A-1 ME-69 Handle Bolt
- 4 Footboard Assy. Complete
- 4-A Footboard ONLY
- 4-B Heel Plate
- 4-C Joint Hinge w/Screws
- 4-D Radius Rod ONLY
- 4-E Radius Rod Cover w/Screws
- 4-F Chain Connector w/Pin



P-880TW/*P-850TW Twin Pedal

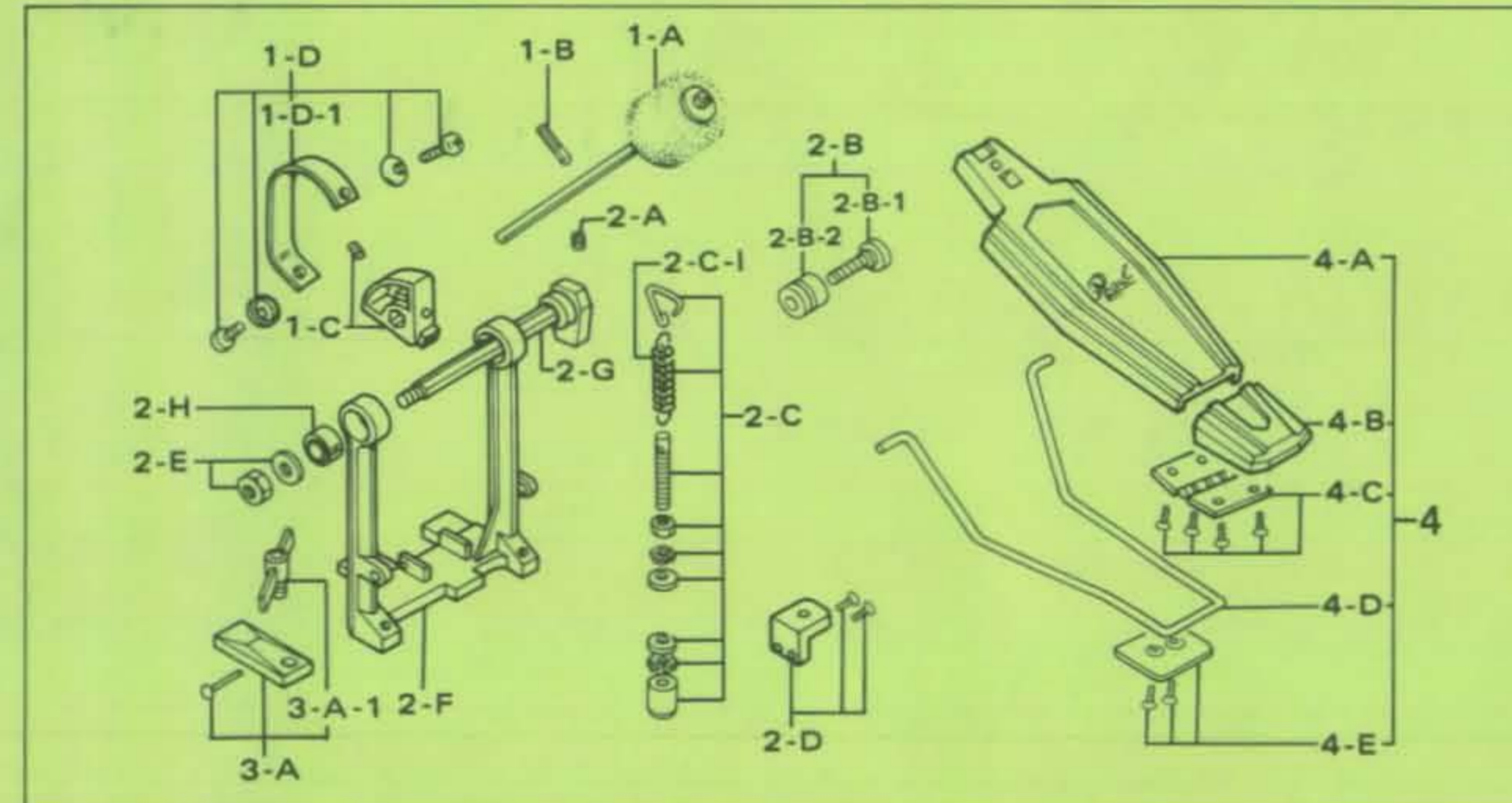
- 1 Pedal Beater Section Assy. Complete
- 1-A B-150CR Crankshaft Beater/Hard Felt
- 1-B SC-23 Beater Setting Bolt (Key Bolt)
- 1-C Lock Plate Assy.
- 1-C-1 Lock Bolt w/Washer (one each)
- 1-C-2 Lock Link
- 1-D Key Bolt w/Nut & Washer
- 1-E Beater Angle Adjustment Cam
- 1-F Cam Roller w/Cam Bolt
- 1-F-1 Cam Bolt ONLY
- 1-F-2 Cam Roller ONLY
- 1-G Spring Assy. Complete
- 1-G-1 Spring ONLY
- 2 Twin Pedal Frame Section Complete
- 2-A Key Bolt (one each)
- 2-B BL-1A Beater Holder Link w/Allen Screws
- 2-C PLP-1S Plastic Pulley (or Wheel) w/Screws
- 2-C-1 Felt Strip
- 2-C SS-1S Steel Sprocket w/Screws
- 2-D Connecting Chain Assy. Complete
- 2-D-1 Chain End Connector Assy.
- 2-E End Nut w/Washer
- 2-F LT-636 Anchor Screw w/Spring (one each)
- 2-G Frame & Shaft Assy. Complete
- 2-H Bearing ONLY (one piece)
- 3 Footboard Section Complete
- 3-A Footboard Assy. Complete
- 3-A-1 Footboard w/Toe Stopper
- 3-A-11 Chain Connector w/Pin
- 3-A-12 Toe Stopper Assy.
- 3-A-2 Heel Plate
- 3-A-3 Joint Hinge w/Screws
- 3-B Floor Plate w/Screws
- 3-C Plate Connecting Assy.



Note: P-850TW is not available in the U.S.A.

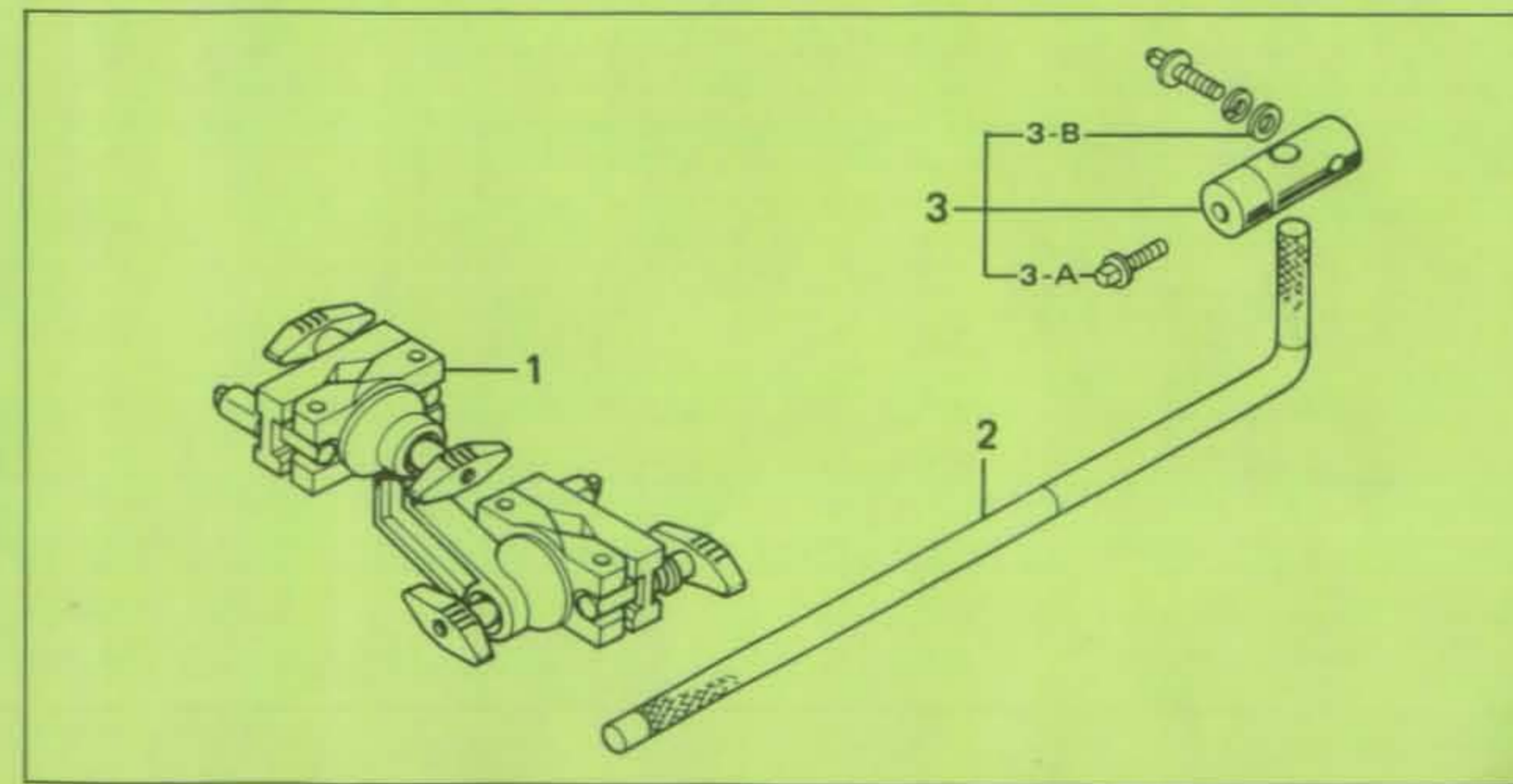
P-750 Foot Pedal

- 1-A B-150C Pedal Beater/Hard Felt
- 1-B SC-23 Beater Setting Bolt (Key Bolt)
- 1-C Fan Rocker w/Allen Screw
- 1-D Connecting Strap w/Screws & Washers
- 1-D-1 Strap ONLY
- 2-A SB-45 Allen Screw
- 2-B Cam Assy. Complete
- 2-B-1 Cam Bolt
- 2-B-2 Cam Roller
- 2-C Spring Assy. Complete
- 2-C-1 Spring ONLY
- 2-D Spring Base Plate w/Screws
- 2-E End Nut w/Washer
- 2-F Pedal Frame ONLY
- 2-G Hexagonal Shaft Assy. Complete w/Cam & Bearing
- 2-H Bearing ONLY (one piece)
- 3-A Hoop Clamp Assy. Complete
- 3-A-1 ME-69 Handle Bolt
- 4 Footboard Assy. Complete
- 4-A Footboard ONLY
- 4-B Heel Plate
- 4-C Joint Hinge w/Screws
- 4-D Radius Rod ONLY
- 4-E Radius Rod Cover w/Screws



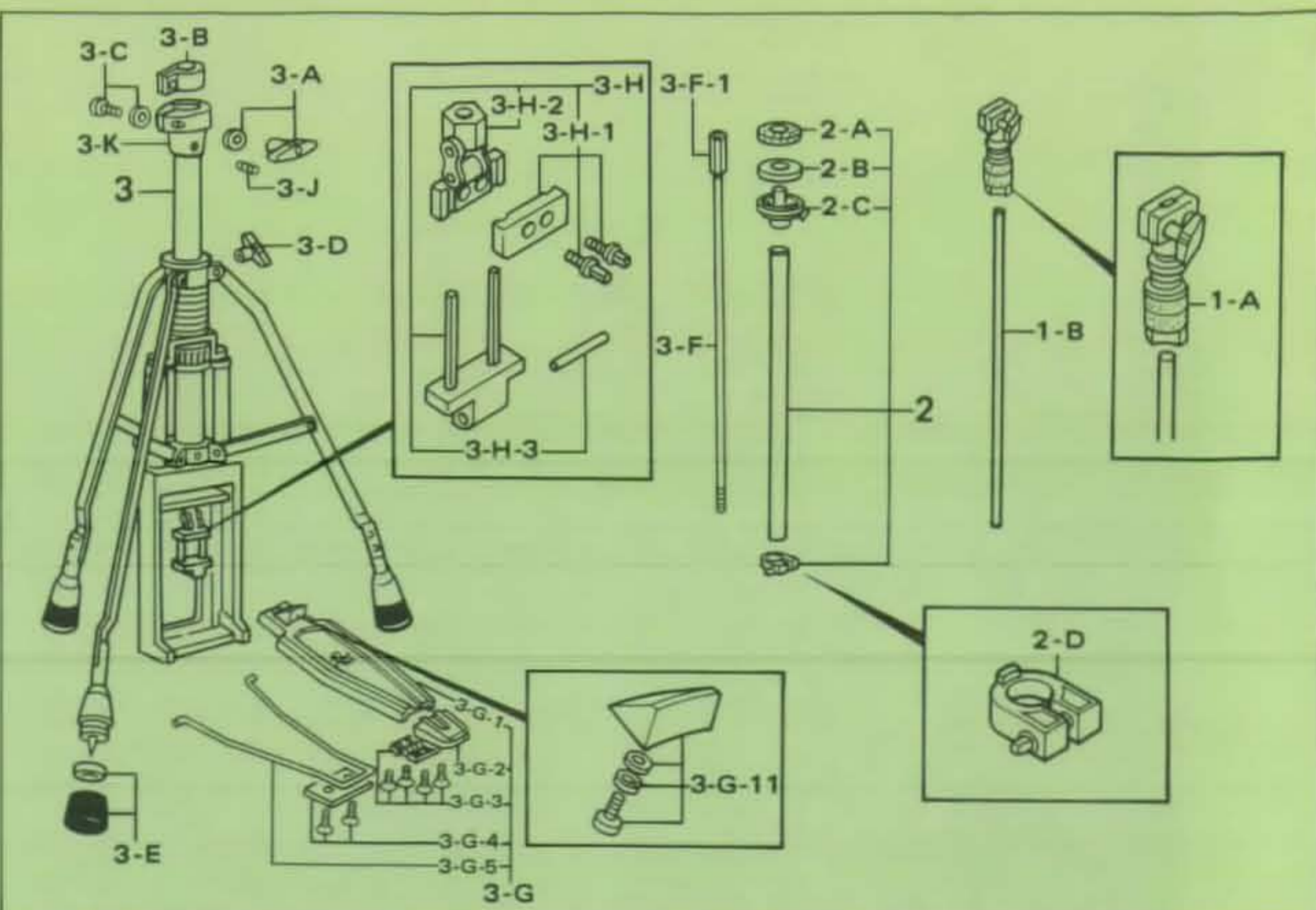
TA-90 Twin Pedal Attachment

- 1 AX-25 Adaptor - Please refer to ADAPTOR section -
- 2 L Rod
- 3 Pedal Joint w/Key Bolts & Washers
- 3-A Key Bolt ONLY
- 3-B Key Bolt w/Washers



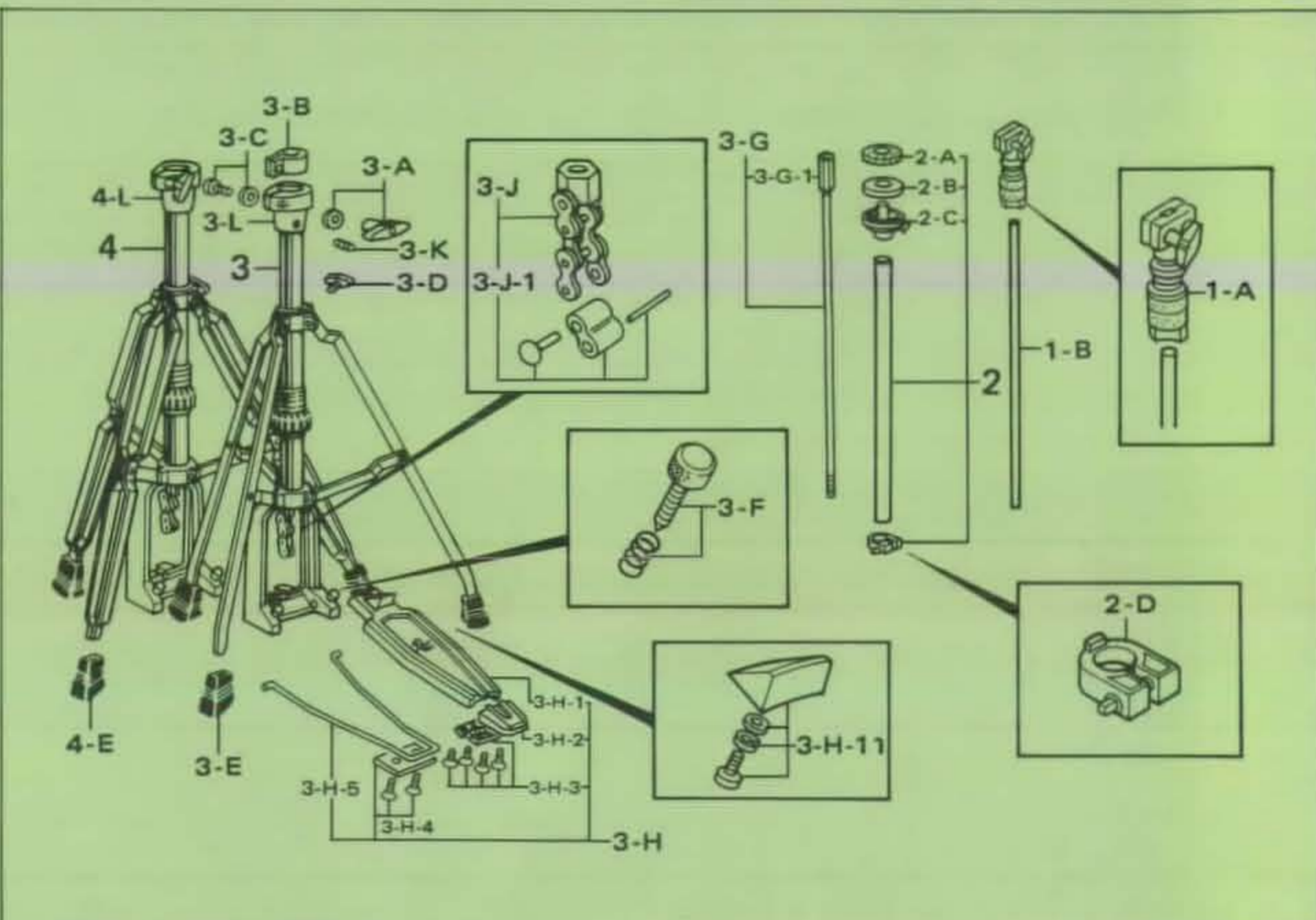
H-950 Hi-Hat Stand

- 1-A CL-95 Hi-Hat Clutch Assy. Complete
- 1-B Upper Pull Rod
- 2 Upper Tube Assy. Complete
- 2-A Felt Washer
- 2-B Steel Washer
- 2-C Plastic Cup w/Tilter
- 2-D SX-4 Stop Lock
- 3 Base Assy. Complete
- 3-A M-6 Die-Cast Wing Nut w/Washer
- 3-B NB-8N Nylon Bushing
- 3-C SN-635 Clamp Bolt w/Nylon Washer
- 3-D M-815 Die-Cast Wing Bolt
- 3-E Rubber Tip w/Washer
- 3-F Lower Pull Rod
- 3-F-1 Pull Rod Connector
- 3-G Footboard Assy. Complete
- 3-G-1 Footboard ONLY
- 3-G-11 Toe Stopper Assy.
- 3-G-2 Heel Plate ONLY
- 3-G-3 Joint Hinge w/Screws
- 3-G-4 Radius Rod Cover w/Screws
- 3-G-5 Radius Rod
- 3-H Pedal Angle Adjustment Assy. Complete
- 3-H-1 Die-Cast Plate w/Bolts
- 3-H-2 Holder ONLY
- 3-H-3 Footboard Connector w/Pin
- 3-J SB-44 Allen Screw
- 3-K DJ-80 Die-Cast Joint



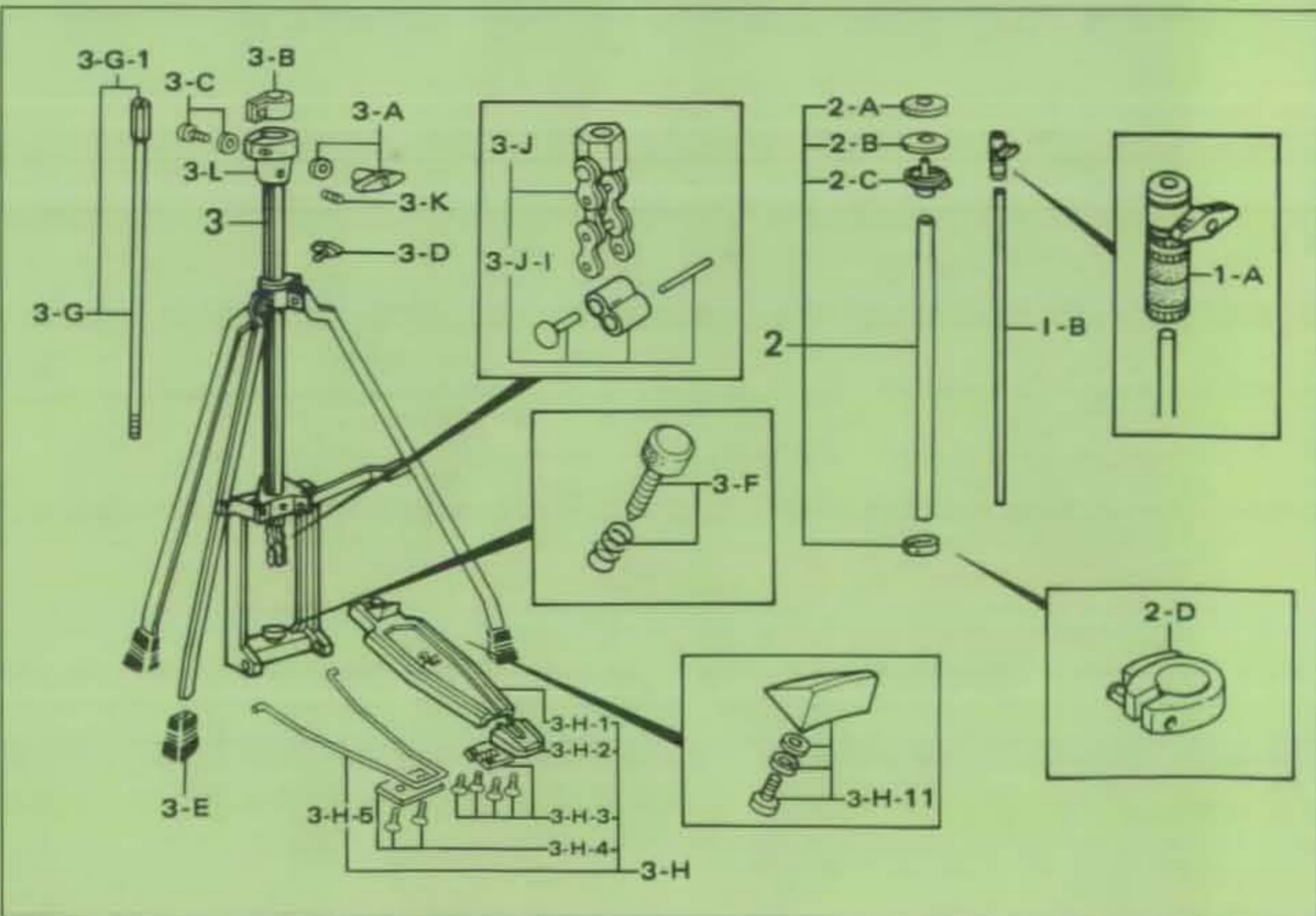
H-850/H-850W Hi-Hat Stand

- 1-A CL-95 Hi-Hat Clutch Assy. Complete
- 1-B Upper Pull Rod
- 2 Upper Tube Assy. Complete
- 2-A Felt Washer
- 2-B Steel Washer
- 2-C Plastic Cup w/Tilter
- 2-D SX-4 Stop Lock
- 3 Base Assy. Complete for H-850
- 3-A M-6 Die-Cast Wing Nut w/Washer
- 3-B NB-8N Nylon Bushing
- 3-C M-815 Clamp Bolt w/Nylon Washer
- 3-D R-10 Rubber Tip
- 3-E LT-626 Anchor Screw w/Spring
- 3-G Lower Pull Rod
- 3-G-1 Pull Rod Connector
- 3-H Footboard Assy. Complete
- 3-H-1 Footboard ONLY
- 3-H-11 Toe Stopper Assy.
- 3-H-2 Heel Plate ONLY
- 3-H-3 Joint Hinge w/Screws
- 3-H-4 Radius Rod Cover w/Screws
- 3-H-5 Radius Rod
- 3-J Connecting Chain Assy. Complete
- 3-J-1 Chain End Connector
- 3-K SB-44 Allen Screw
- 3-L DJ-80 Die-Cast Joint
- 4 Base Assy. Complete for H-850W
- 4-E R-22 Rubber Tip
- 4-L DJ-80 Die-Cast Joint



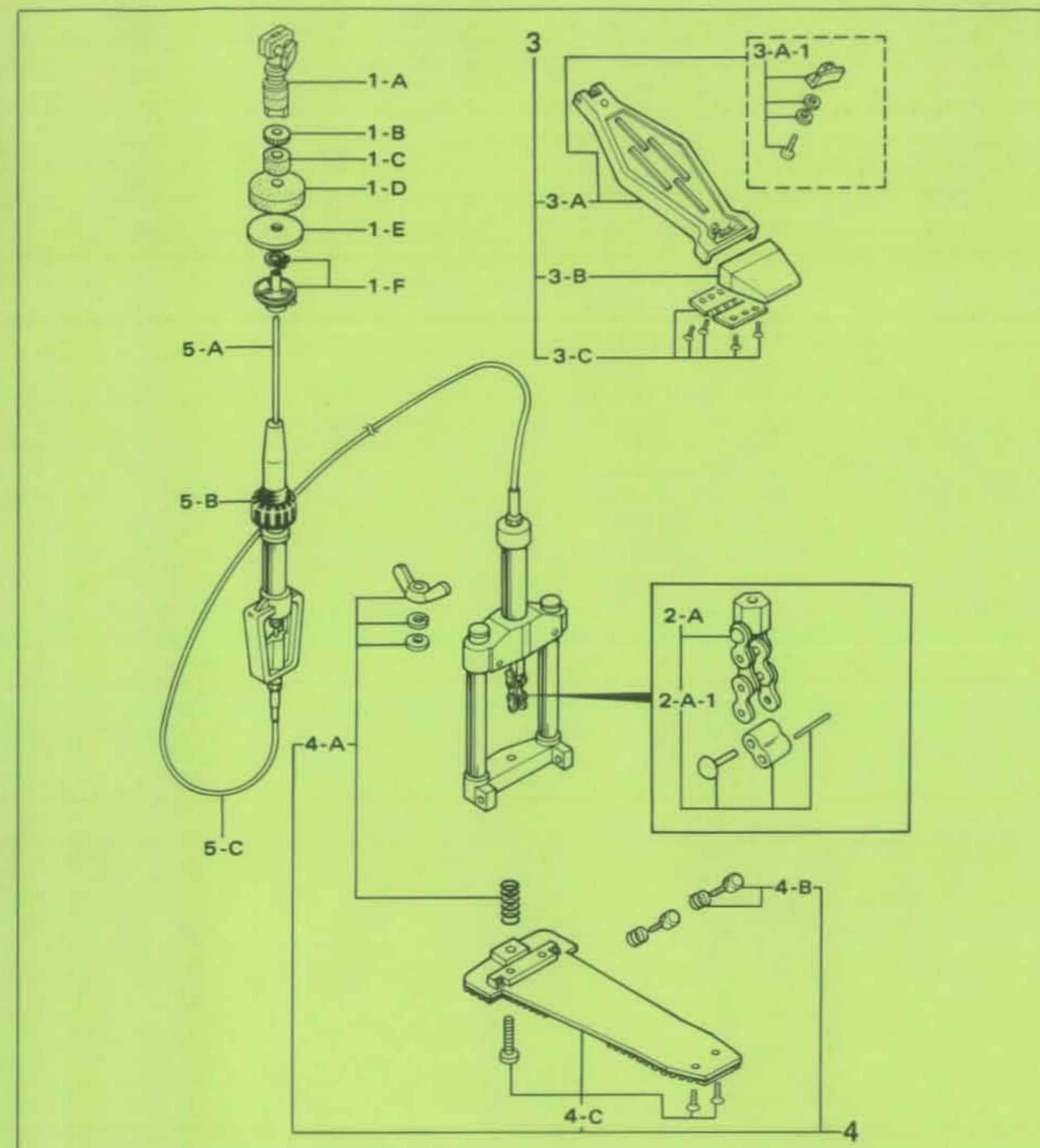
H-750 Hi-Hat Stand

- 1-A CL-90 Hi-Hat Clutch Assy. Complete
- 1-B Upper Pull Rod
- 2 Upper Tube Assy. Complete
- 2-A Felt Washer
- 2-B Steel Washer
- 2-C Plastic Cup w/Tilter
- 2-D SX-6 Stop Lock
- 3 Base Assy. Complete
- 3-A M-6 Die-Cast Wing Nut w/Washer
- 3-B NB-5N Nylon Bushing
- 3-C SN-635 Clamp Bolt w/Nylon Washer
- 3-D M-815 Die-Cast Wing Bolt
- 3-E R-10 Rubber Tip
- 3-F LT-622 Anchor Screw w/Spring
- 3-G Lower Pull Rod
- 3-G-1 Pull Rod Connector
- 3-H Footboard Assy. Complete
- 3-H-1 Footboard ONLY
- 3-H-11 Toe Stopper Assy.
- 3-H-2 Heel Plate ONLY
- 3-H-3 Joint Hinge w/Screws
- 3-H-4 Radius Rod Cover w/Screws
- 3-H-5 Radius Rod
- 3-J Connecting Chain Assy. Complete
- 3-J-1 Chain End Connector
- 3-K SB-44 Allen Screw
- 3-L DJ-50 Die-Cast Joint



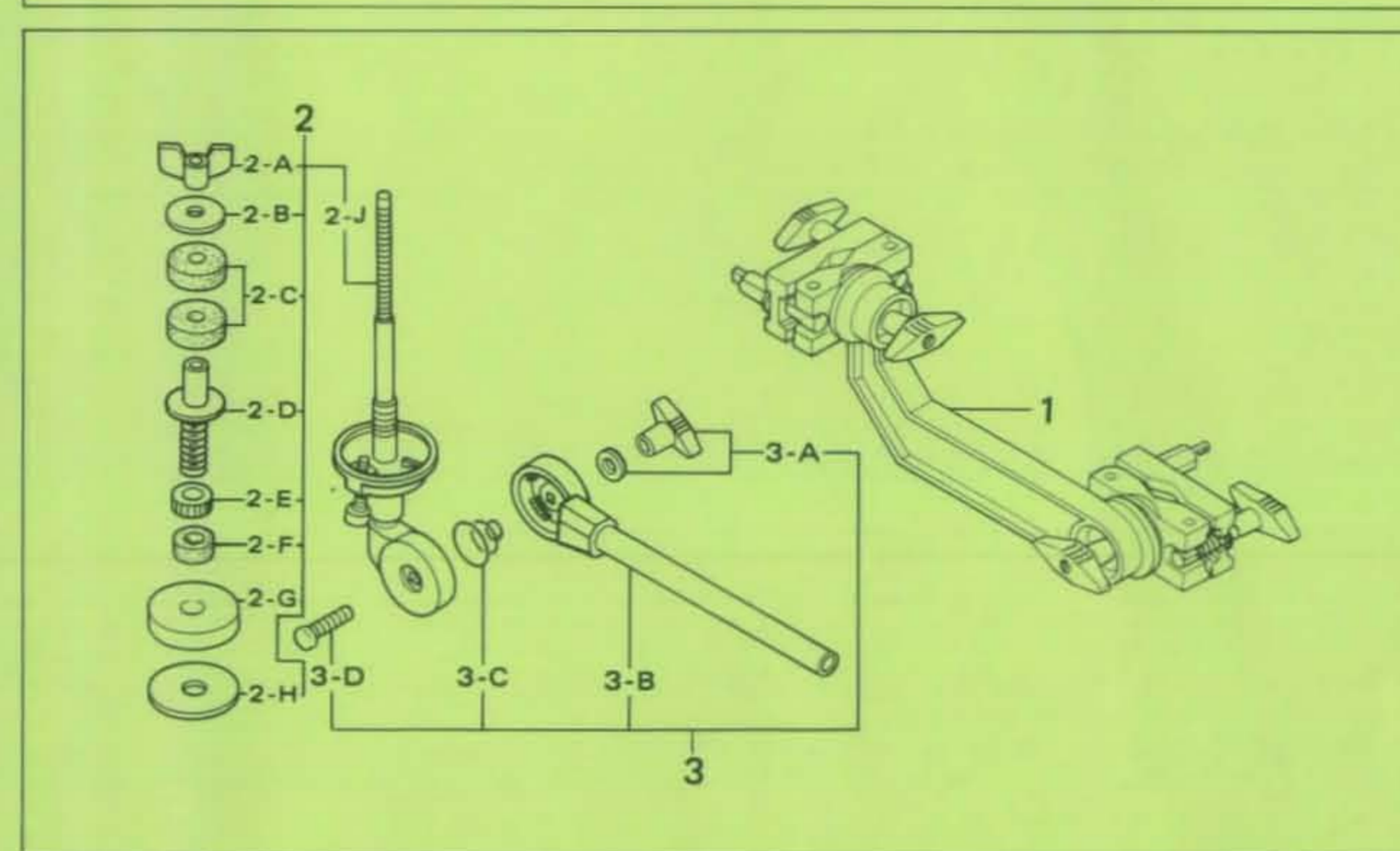
RH-800 Remote Hat

- 1-A CL-95 Hi-Hat Clutch
- 1-B Lock Nut
- 1-C Felt Washer — Small —
- 1-D Felt Washer — Large —
- 1-E Steel Washer
- 1-F Plastic Cup w/Tilter
- 2-A Connecting Chain Assy. Complete
- 2-A-1 Chain End Connector
- 3 Footboard Assy. Complete
- 3-A Footboard ONLY
- 3-A-1 Toe Stopper Assy.
- 3-B Heel Plate ONLY
- 3-C Joint Hinge w/Screws
- 4 Floor Plate Assy. Complete
- 4-A Wing Nut Set
- 4-B LT-636 Anchor Screw w/Spring (one each)
- 4-C Floor Plate w/Screws
- 5-A Pull Rod Assy. Complete
- 5-B Spring Adjustment Knob
- 5-C Cable w/Nuts, Bolts



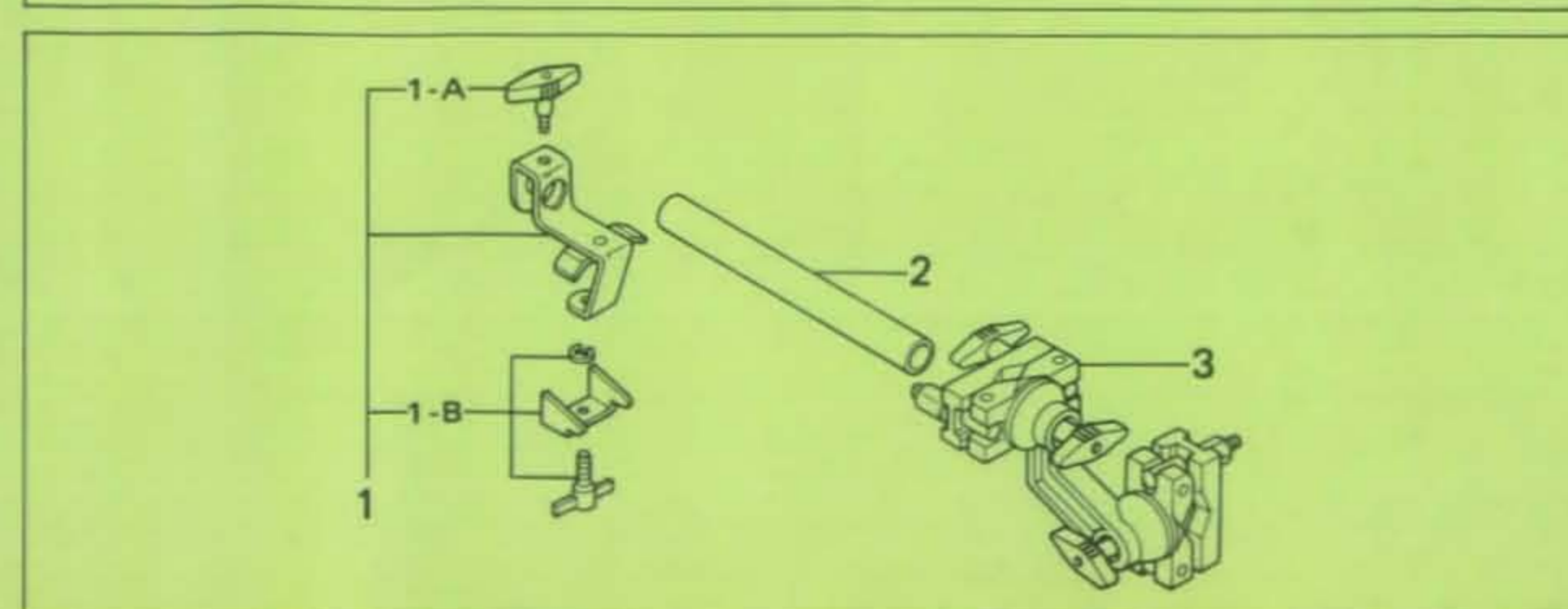
CLH-95A Closed Hat

- 1 AX-25L Adaptor — Please refer to ADAPTOR section —
- 2 Top Section Assy.
- 2-A M-8W Die-Cast Wing Nut
- 2-B Steel Washer
- 2-C Felt Washers
- 2-D Plastic Sleeve w/Spring
- 2-E Lock Nut
- 2-F Felt Washer
- 2-G Felt Washer
- 2-H Steel Washer
- 2-J Tilter Assy. Complete
- 3 Tube Assy. Complete
- 3-A M-8A Die-Cast Wing Nut w/Washer
- 3-B Tube ONLY
- 3-C Spring
- 3-D Clamp Bolt



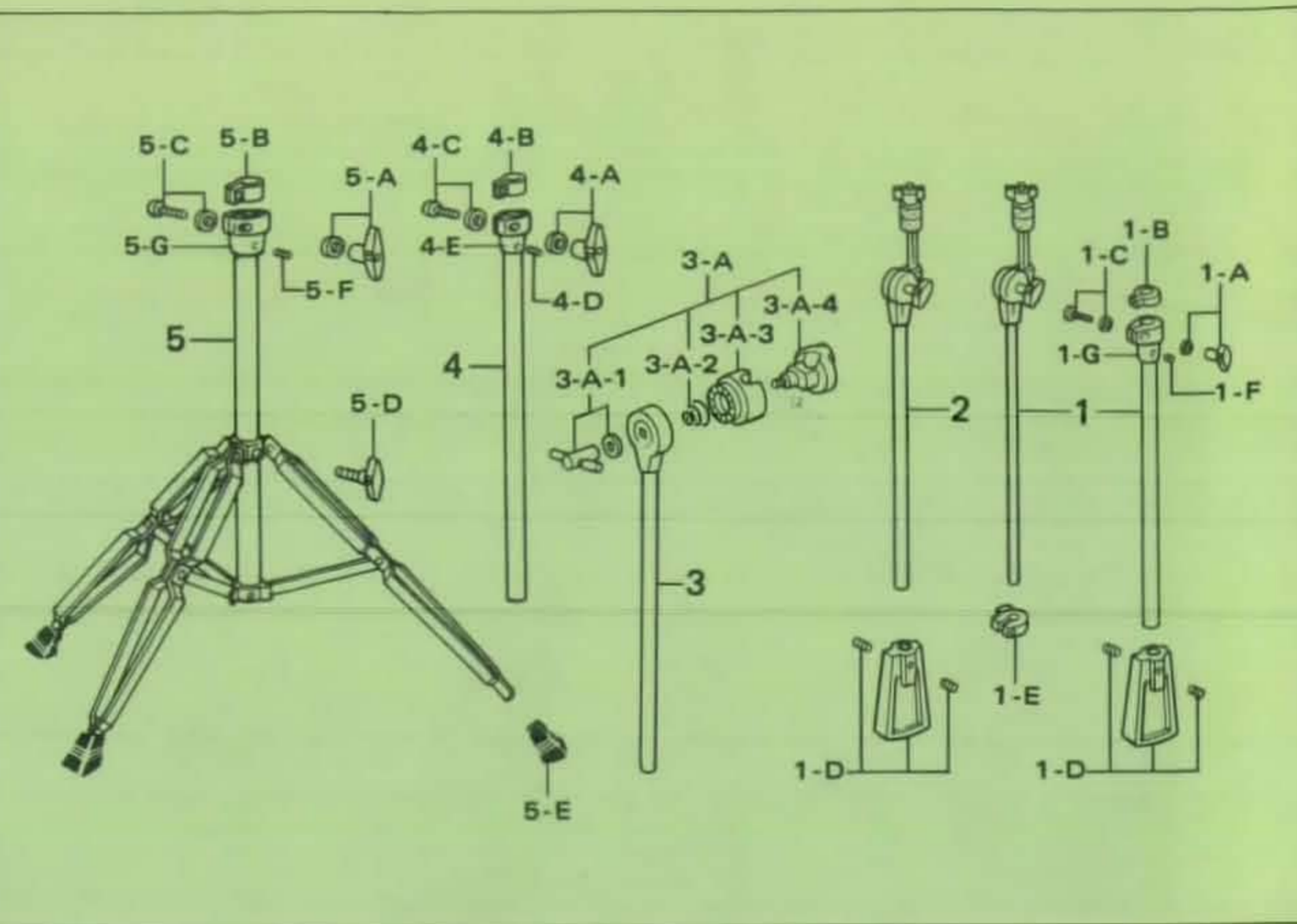
HA-95 Hi-Hat Attachment

- 1 Hoop Mount Holder Assy. Complete
- 1-A Die-Cast Wing Bolt
- 1-B Hoop Clamp
- 2 Connecting Tube
- 3 AX-25 Adaptor — Please refer to ADAPTOR section —



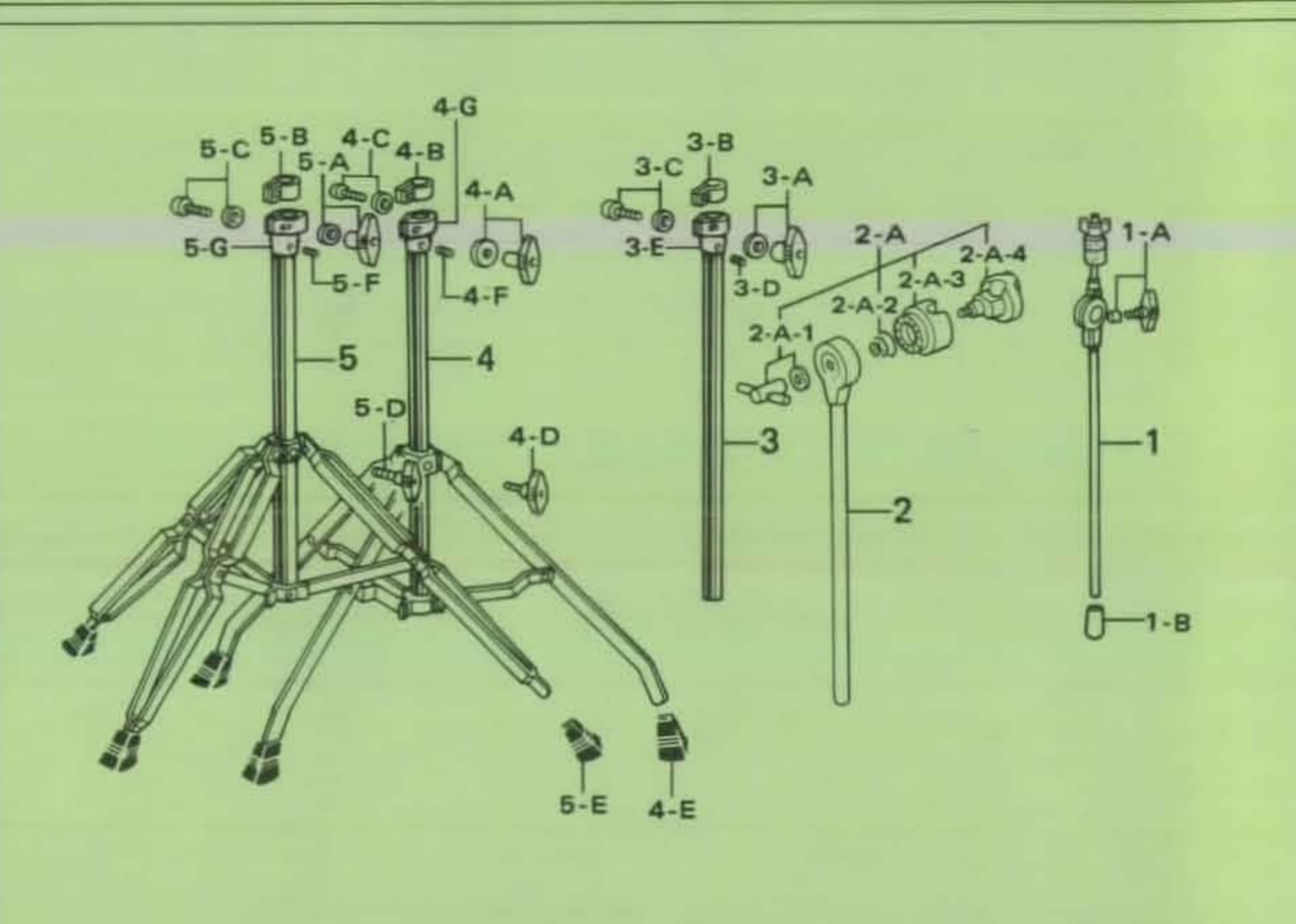
B-950W/B-950WT Cymbal Boom Stand

- 1 Boom Arm Assy. Complete (for B-950WT)
- 1-A M-6 Die-Cast Wing Nut w/Washer
- 1-B NB-5N Nylon Bushing
- 1-C SN-635 Clamp Bolt w/Nylon Washer
- 1-D Boom Weight w/Allen Screws
- 1-E SX-6 Stop Lock
- 1-F SB-44 Allen Screw
- 1-G DJ-50 Die-Cast Joint
- 2 Boom Arm Assy. Complete (for B-950W)
- 3 Upper Tube Assy. Complete
- 3-A Boom Clamp Assy. Complete
- 3-A-1 M-8C Handle Nut w/Washer
- 3-A-2 Spring
- 3-A-3 Clamp Gear Link
- 3-A-4 Boom Pipe Bracket
- 4 Center Tube Assy. Complete
- 4-A M-6 Die Cast Wing Nut w/Washer
- 4-B NB-7N Nylon Bushing
- 4-C SN-635 Clamp Bolt w/Nylon Washer
- 4-D DJ-70 Allen Screw
- 4-E DJ-70 Die-Cast Joint
- 5 Base Assy. Complete
- 5-A M-6 Die Cast Wing Nut w/Washer
- 5-B NB-9N Nylon Bushing
- 5-C SN-640 Clamp Bolt w/Nylon Washer
- 5-D M-815 Die Cast Wing Bolt
- 5-E R-24 Rubber Tip
- 5-F SB-44 Allen Screw
- 5-G DJ-90 Die-Cast Joint



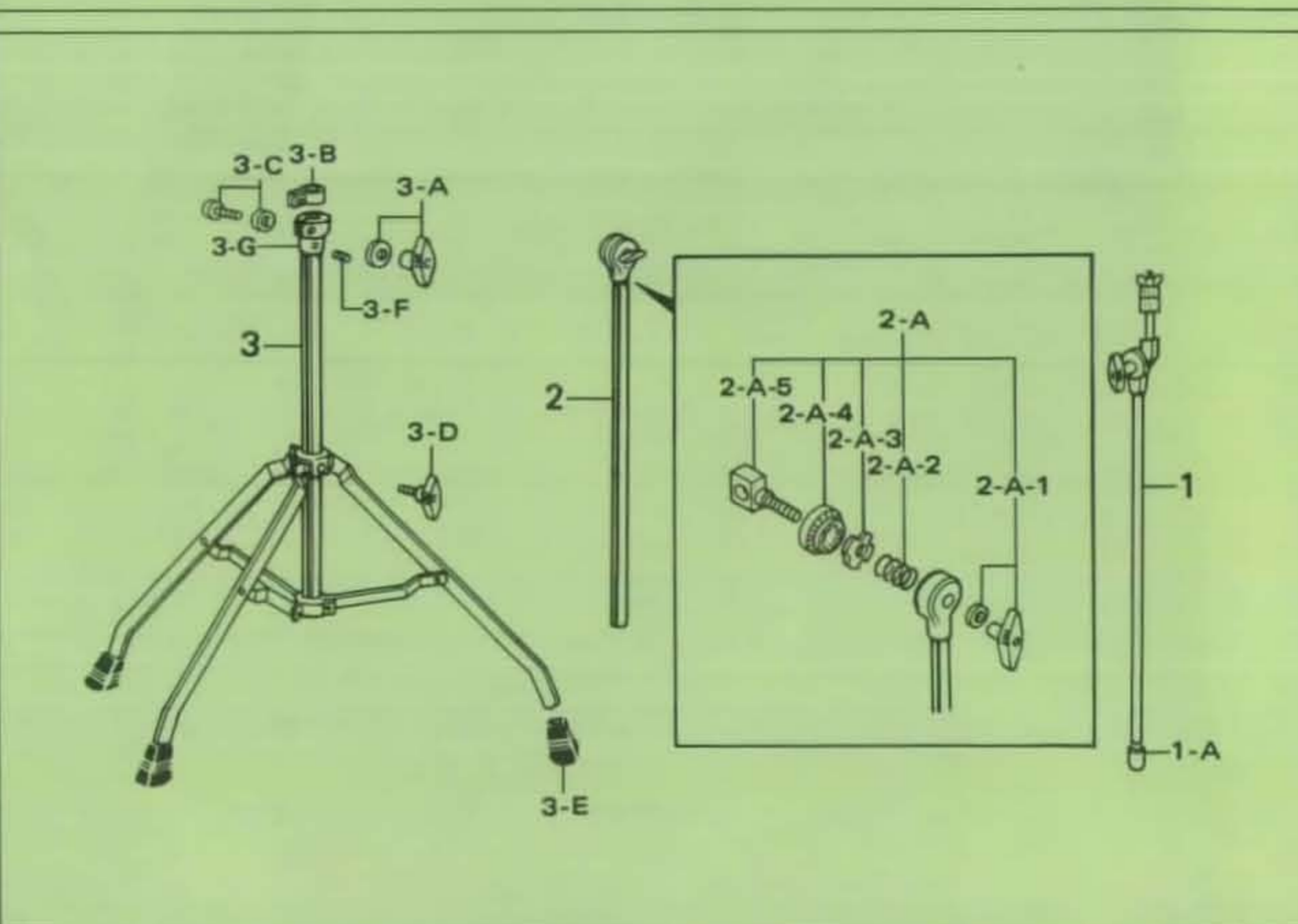
B-850/B-850W Cymbal Boom Stand

- 1 Boom Arm Assy. Complete
- 1-A M-815P Die-Cast Wing Bolt w/Pin
- 1-B Rubber Tip
- 2 Upper Tube Assy. Complete
- 2-A Boom Clamp Assy. Complete
- 2-A-1 M-8C Handle Nut w/Washer
- 2-A-2 Spring
- 2-A-3 Clamp Gear Link
- 2-A-4 Boom Pipe Bracket
- 3 Center Tube Assy. Complete
- 3-A M-6 Die-Cast Wing Nut w/Washer
- 3-B NB-5N Nylon Bushing
- 3-C SN-635 Clamp Bolt w/Nylon Washer
- 3-D SB-44 Allen Screw
- 3-E DJ-50 Die-Cast Joint
- 4 Base Assy. Complete (for B-850)
- 4-A M-6 Die-Cast Wing Nut w/Washer
- 4-B NB-7N Nylon Bushing
- 4-C SN-635 Clamp Bolt w/Nylon Washer
- 4-D M-815 Die-Cast Wing Bolt
- 4-E R-10 Rubber Tip
- 4-F SB-44 Allen Screw
- 4-G DJ-70 Die-Cast Joint
- 5 Base Assy. Complete (for B-850W)
- 5-A M-6 Die-Cast Wing Nut w/Washer
- 5-B NB-7N Nylon Bushing
- 5-C SN-635 Clamp Bolt w/Nylon Washer
- 5-D M-815 Die-Cast Wing Bolt
- 5-E R-22 Rubber Tip
- 5-F SB-44 Allen Screw
- 5-G DJ-70 Die-Cast Joint



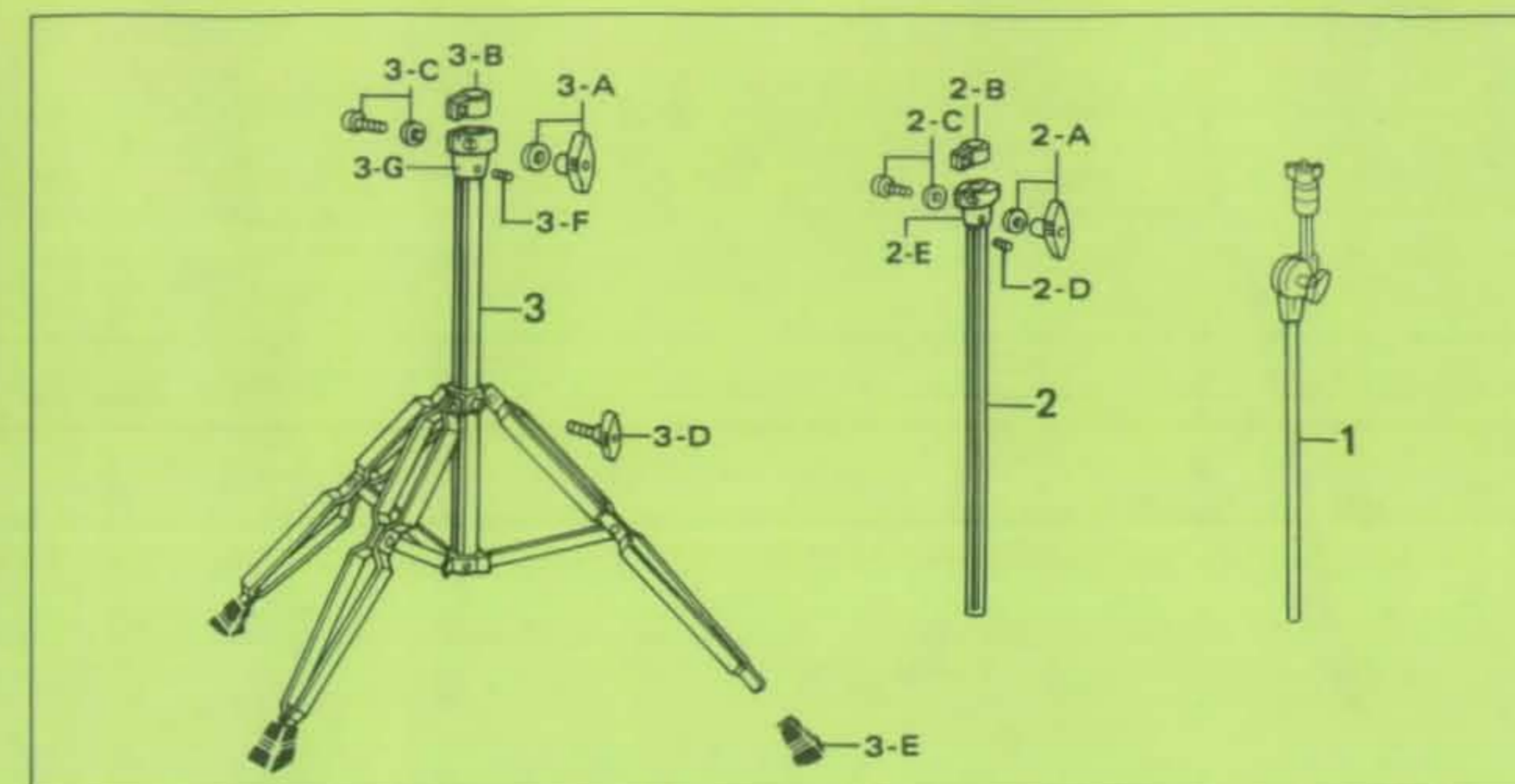
B-750 Cymbal Boom Stand

- 1 Boom Arm Assy. Complete
- 1-A Rubber Tip
- 2 Center Tube Assy. Complete
- 2-A Boom Clamp Assy. Complete
- 2-A-1 M-8B Die-Cast Wing Nut w/Washer
- 2-A-2 Spring
- 2-A-3 Spring Plate
- 2-A-4 Clamp Gear Link
- 2-A-5 Boom Clamp Bolt
- 3 Base Assy. Complete
- 3-A M-6 Die-Cast Wing Nut w/Washer
- 3-B NB-5N Nylon Bushing
- 3-C SN-635 Clamp Bolt w/Nylon Washer
- 3-D M-815 Die-Cast Wing Bolt
- 3-E R-10 Rubber Tip
- 3-F SB-44 Allen Screw
- 3-G DJ-50 Die-Cast Joint



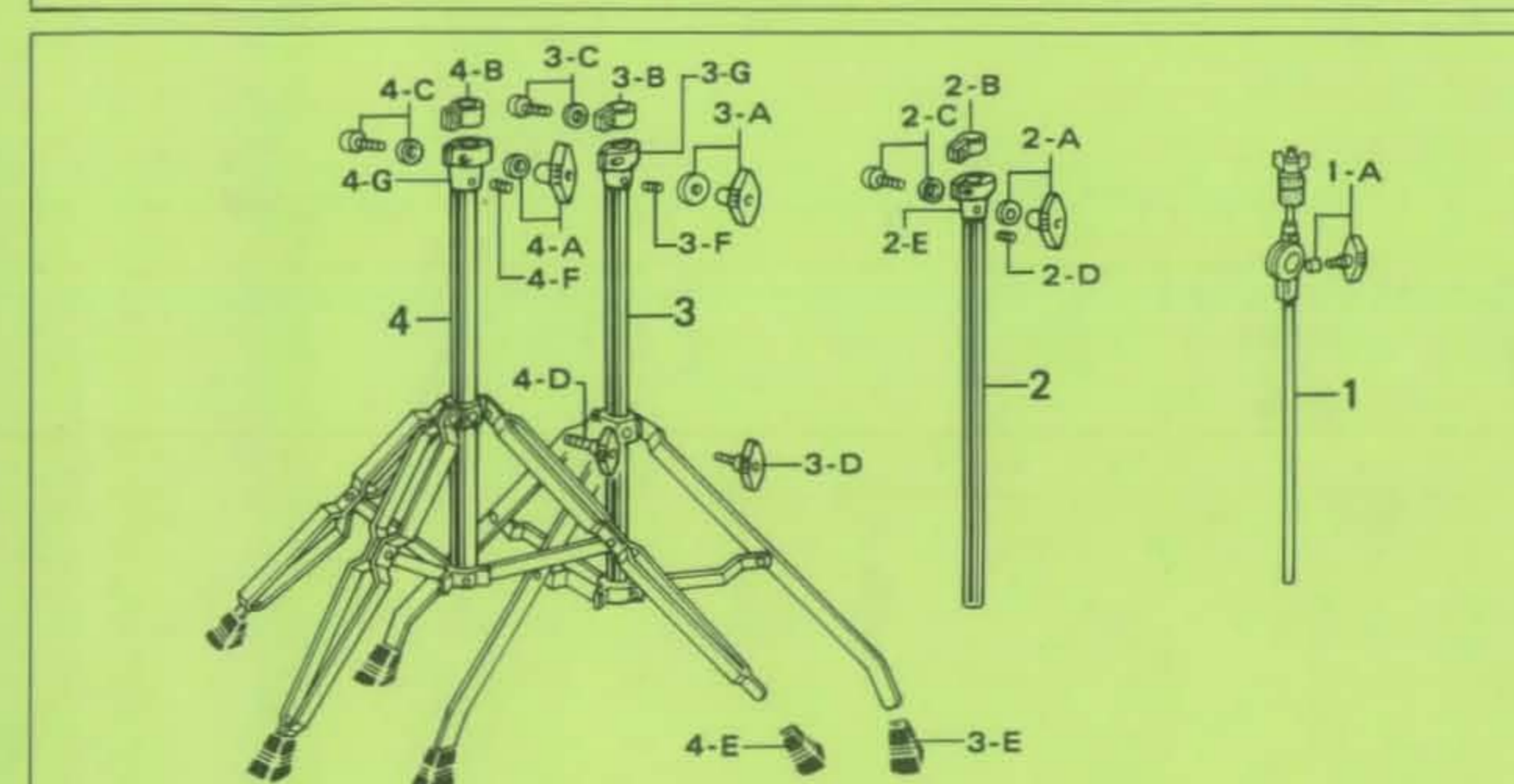
C-950W Cymbal Stand

- 1 Upper Tube Assy. Complete
- 2 Center Tube Assy. Complete
- 2-A M-6 Die-Cast Wing Nut w/Washer
- 2-B NB-7N Nylon Bushing
- 2-C SN-635 Clamp Bolt w/Nylon Washer
- 2-D SB-44 Allen Screw
- 2-E DJ-70 Die-Cast Joint
- 3 Base Assy. Complete
- 3-A M-6 Die-Cast Wing Nut w/Washer
- 3-B NB-9N Nylon Bushing
- 3-C SN-640 Clamp Bolt w/Nylon Washer
- 3-D M-815 Die-Cast Wing Bolt
- 3-E R-24 Rubber Tip
- 3-F SB-44 Allen Screw
- 3-G DJ-90 Die-Cast Joint



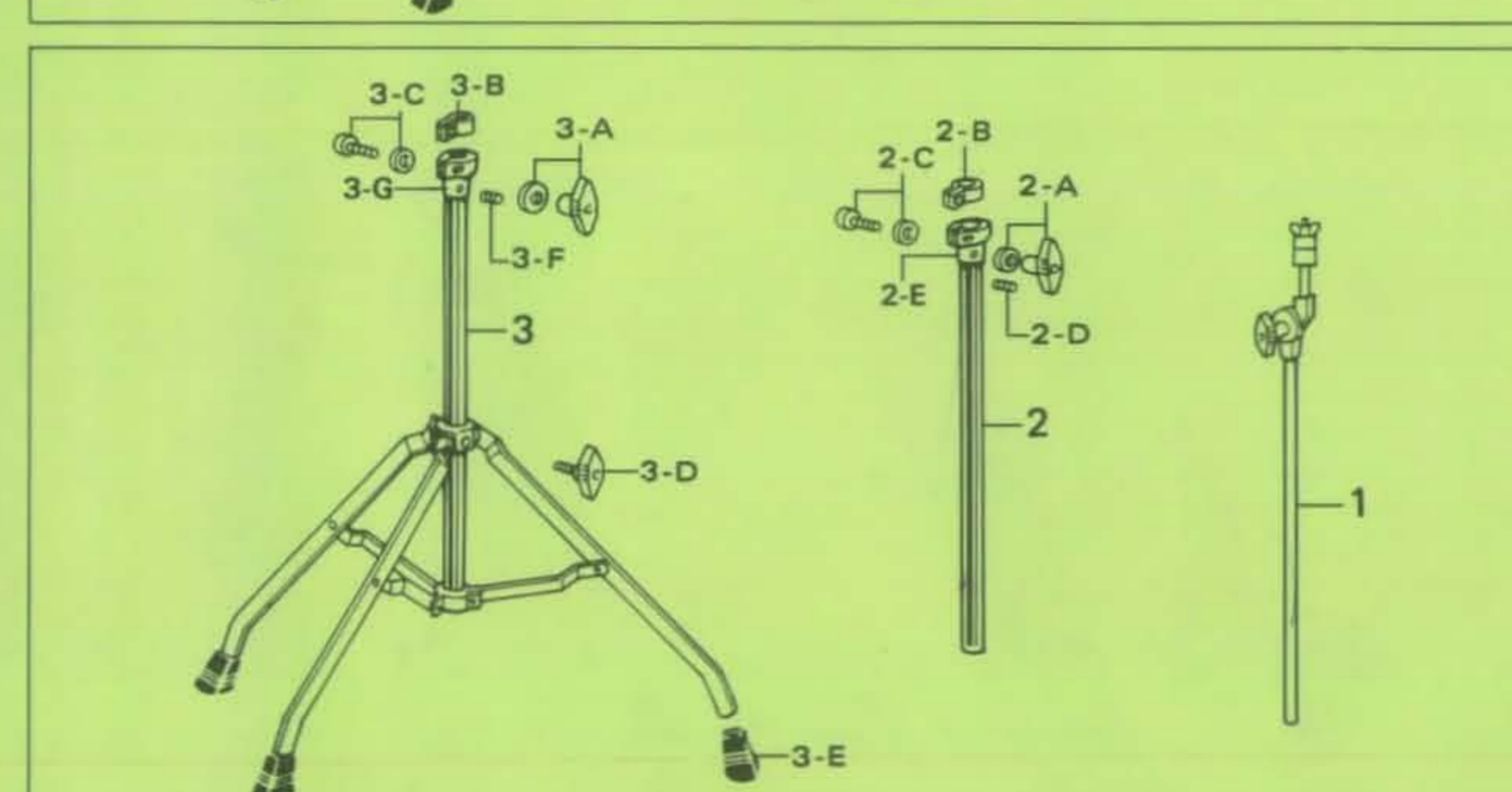
C-850/C-850W Cymbal Stand

- 1 Upper Tube Assy. Complete
- 1-A M-815P Die-Cast Wing Bolt w/Pin
- 2 Center Tube Assy. Complete
- 2-A M-6 Die-Cast Wing Nut w/Washer
- 2-B NB-5N Nylon Bushing
- 2-C SN-635 Clamp Bolt w/Nylon Washer
- 2-D SB-44 Allen Screw
- 2-E DJ-50 Die-Cast Joint
- 3 Base Assy. Complete (C-850)
- 3-A M-6 Die-Cast Wing Nut w/Washer
- 3-B NB-7N Nylon Bushing
- 3-C SN-635 Clamp Bolt w/Nylon Washer
- 3-D M-815 Die-Cast Wing Bolt
- 3-E R-10 Rubber Tip
- 3-F SB-44 Allen Screw
- 3-G DJ-70 Die-Cast Joint
- 4 Base Assy. Complete (C-850W)
- 4-A M-6 Die-Cast Wing Nut w/Washer
- 4-B NB-7N Nylon Bushing
- 4-C SN-635 Clamp Bolt w/Nylon Washer
- 4-D M-815 Die-Cast Wing Bolt
- 4-E R-22 Rubber Tip
- 4-F SB-44 Allen Screw
- 4-G DJ-70 Die-Cast Joint



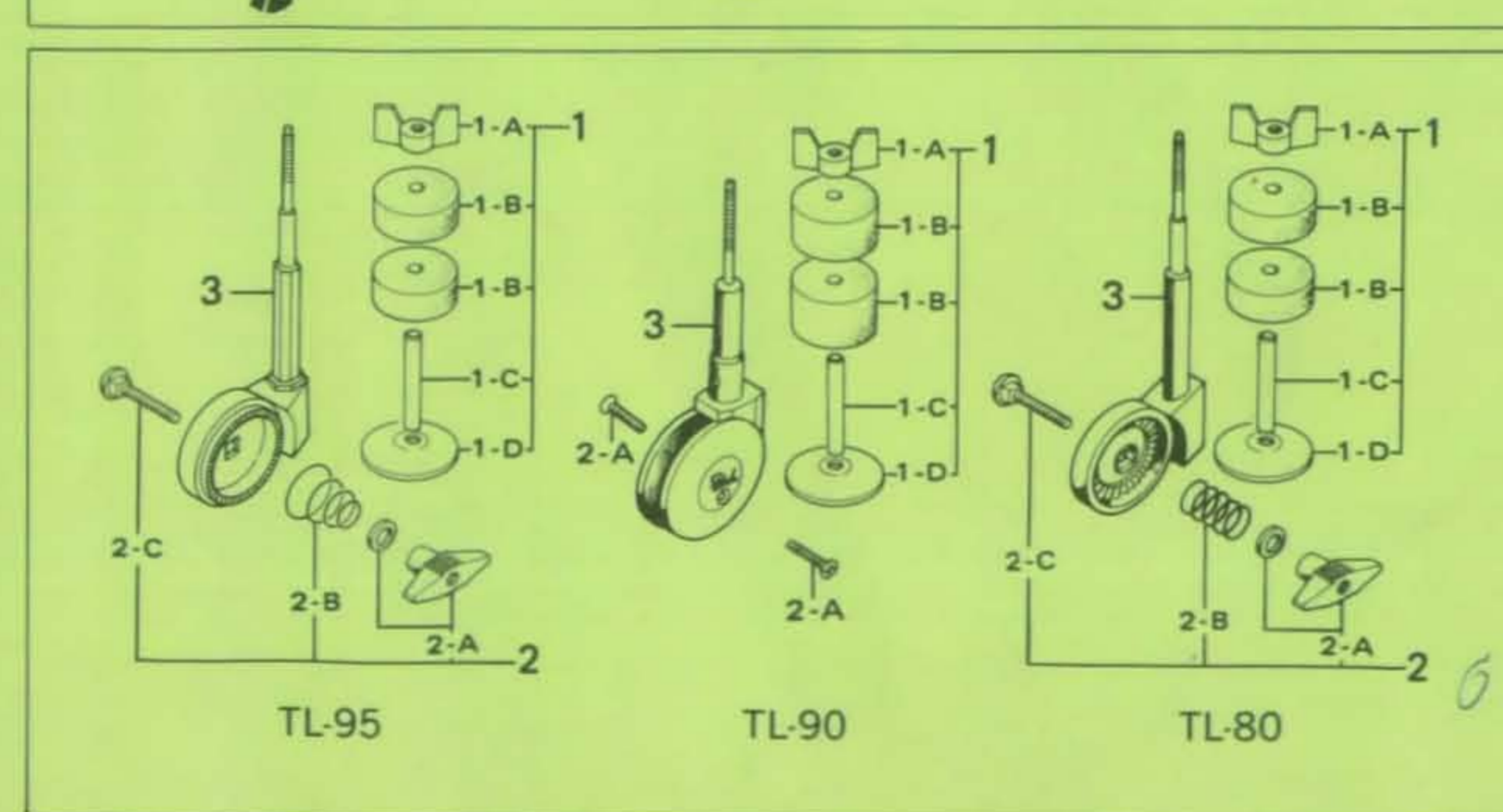
C-750 Cymbal Stand

- 1 Upper Tube Assy. Complete
- 2 Center Tube Assy. Complete
- 2-A M-6 Die-Cast Wing Nut w/Washer
- 2-B NB-4N Nylon Bushing
- 2-C SN-635 Clamp Bolt w/Nylon Washer
- 2-D SB-44 Allen Screw
- 2-E DJ-40 Die-Cast Joint
- 3 Base Assy. Complete
- 3-A M-6 Die-Cast Wing Nut w/Washer
- 3-B NB-5N Nylon Bushing
- 3-C SN-635 Clamp Bolt w/Nylon Washer
- 3-D M-815 Die-Cast Wing Bolt
- 3-E R-10 Rubber Tip
- 3-F SB-44 Allen Screw
- 3-G DJ-50 Die-Cast Joint



TL-95 Cymbal Tilter

- * for B-950W/B-950WT/C-950W/CH-95/CH-95T
- 1 Upper Tilter Section Complete
- 1-A M-8W Wing Nut
- 1-B Felt Washers
- 1-C Plastic Sleeve
- 1-D Cup Washer
- 2 Die-Cast Wing Bolt & Spring Assy. Complete
- 2-A M-8A Die-Cast Wing Nut w/Washer
- 2-B Spring
- 2-C Bolt
- 3 Tilter Unit



TL-90 Cymbal Tilter

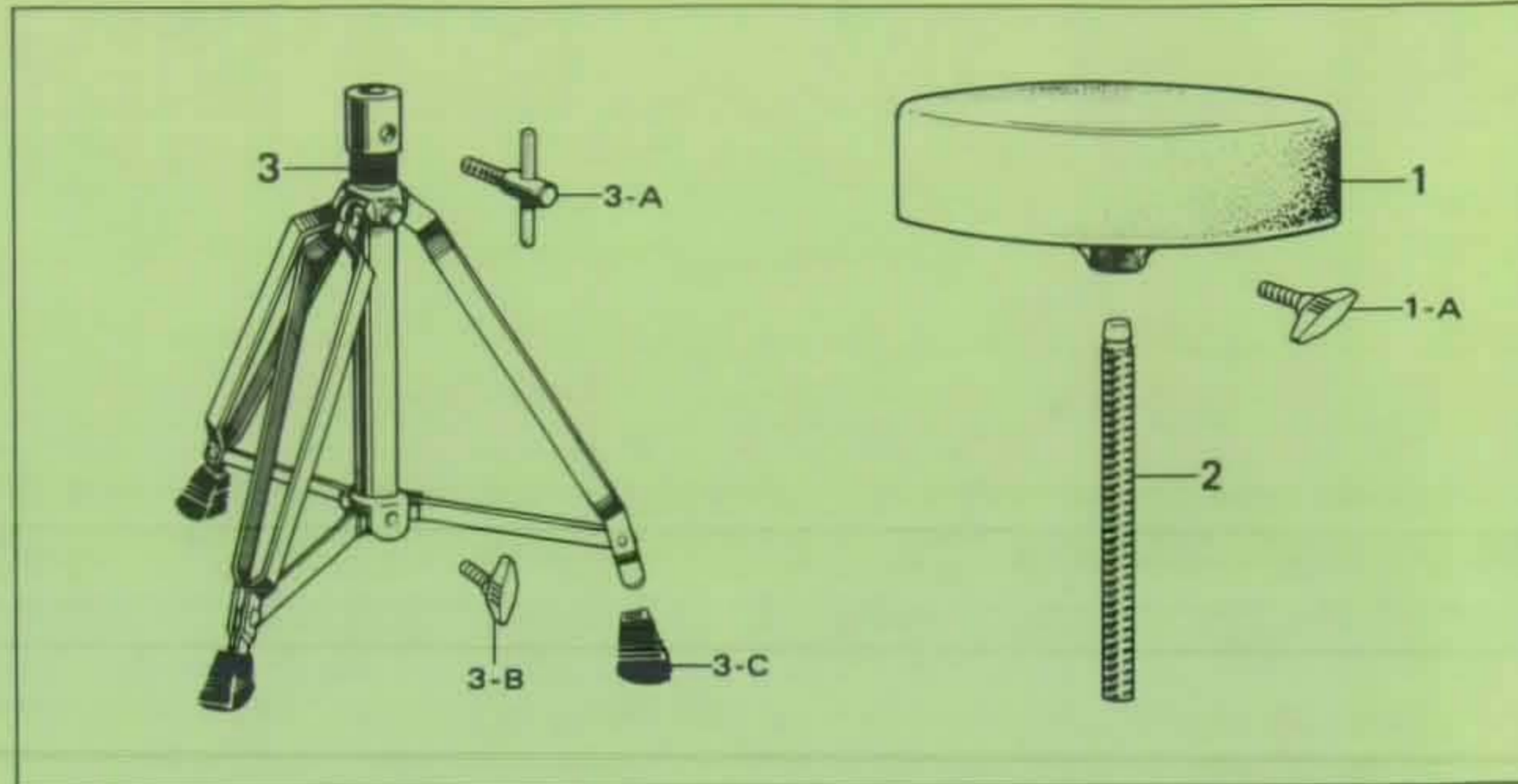
- * for B-850W/B-850/C-850W/CH-85/CH-85T
- 1 Upper Tilter Section Complete
- 1-A M-8W Wing Nut
- 1-B Felt Washers
- 1-C Plastic Sleeve
- 1-D Cup Washer
- 2 Die-Cast Wing Bolt & Spring Assy. Complete
- 2-A M-8A Die-Cast Wing Nut w/Washer
- 2-B Spring
- 2-C Bolt
- 3 Tilter Unit

TL-80 Cymbal Tilter

- * for B-750/C-750/CH-75
- 1 Upper Tilter Section Complete
- 1-A M-8W Wing Nut
- 1-B Felt Washers
- 1-C Plastic Sleeve
- 1-D Cup Washer
- 2 Die-Cast Wing Bolt & Spring Assy. Complete
- 2-A M-8B Die-Cast Wing Nut w/Washer
- 2-B Spring
- 2-C Bolt
- 3 Tilter Unit

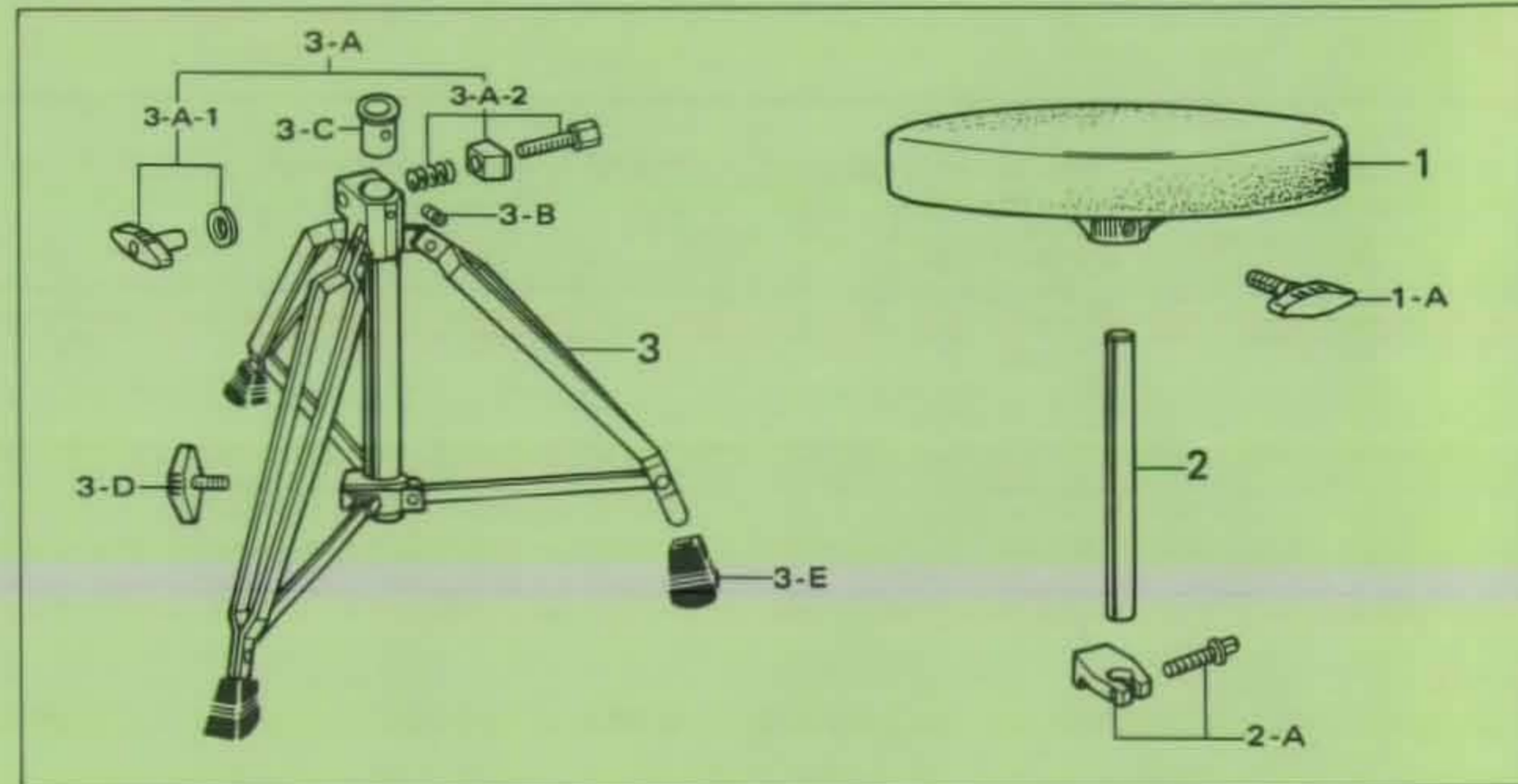
D-900 Throne

- 1 Padded Seat
- 1-A M-820 Die-Cast Wing Bolt
- 2 Height Adjustment Rod
- 3 Base Assy. Complete
- 3-A FF-1021 Handle Bolt
- 3-B M-815 Die-Cast Wing Bolt
- 3-C R-20 Rubber Tip



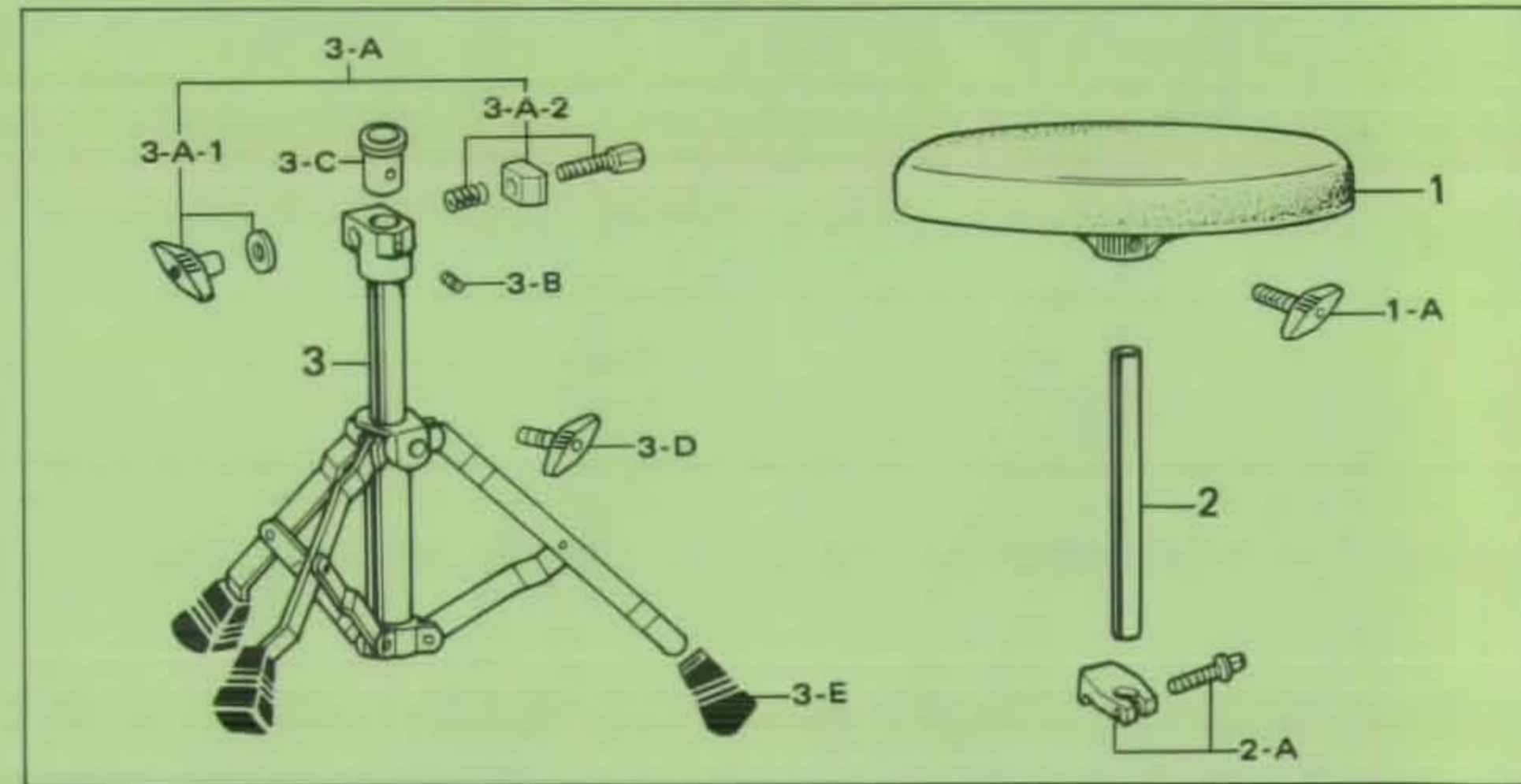
D-850 Throne

- 1 Padded Seat
- 1-A M-820 Die-Cast Wing Bolt
- 2 Height Adjustment Rod
- 2-A SX-5 Stop Lock
- 3 Base Assy. Complete
- 3-A Bolt & Nut Assy. Complete
- 3-A-1 M-8B Die-Cast Wing Nut w/Washer
- 3-A-2 Clamp Bolt Set
- 3-B SB-44 Allen Screw
- 3-C Nylon Bushing
- 3-D M-815 Die-Cast Wing Bolt
- 3-E R-20 Rubber Tip



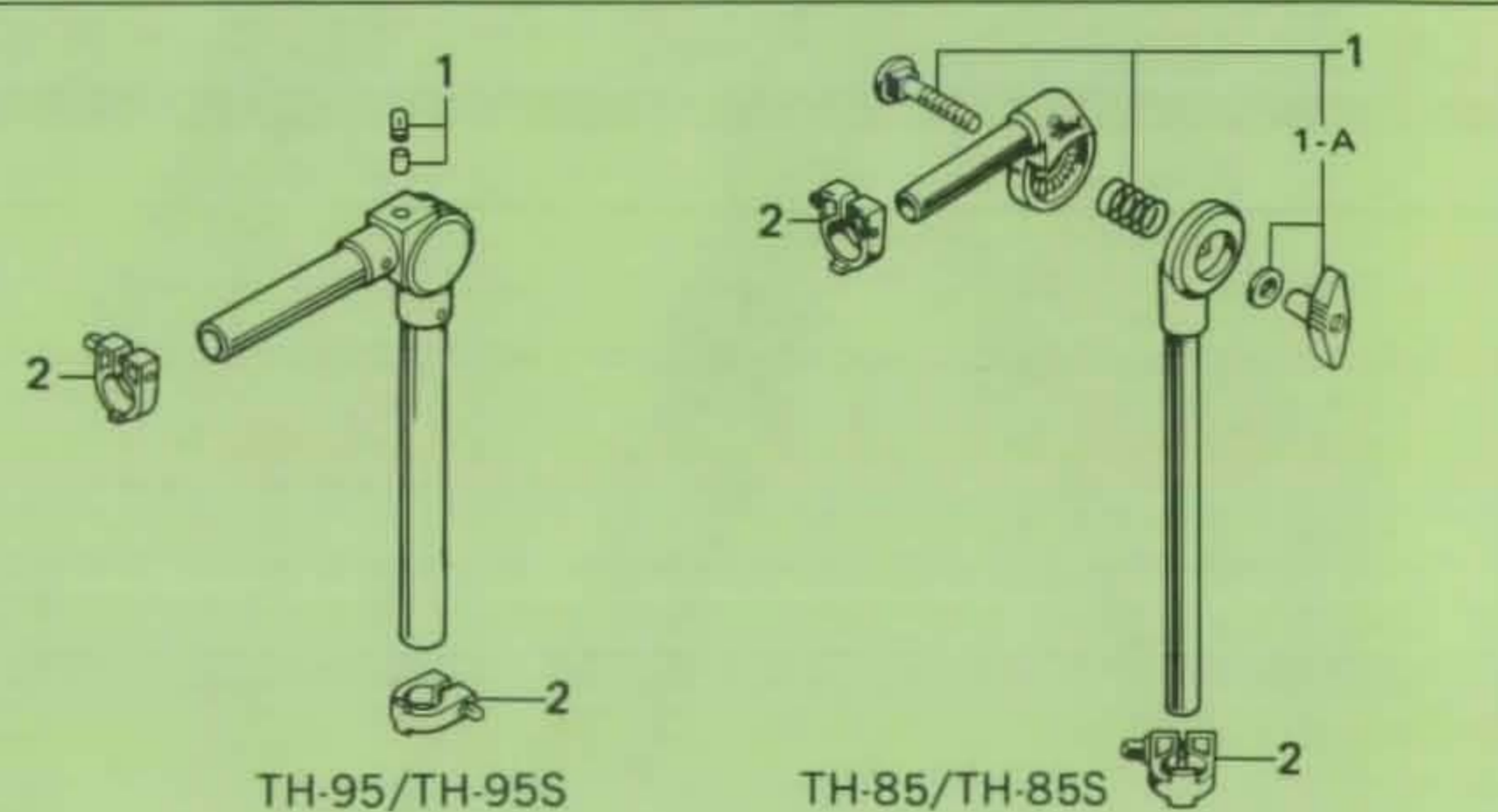
D-730 Throne

- 1 Padded Seat
- 1-A M-820 Die-Cast Wing Bolt
- 2 Height Adjustment Pipe
- 2-A SX-5 Stop Lock
- 3 Base Assy. Complete
- 3-A Bolt & Nut Assy. Complete
- 3-A-1 M-8B Die-Cast Wing Nut w/Washer
- 3-A-2 Clamp Bolt Set
- 3-B SB-44 Allen Screw
- 3-C Nylon Bushing
- 3-D M-815 Die-Cast Wing Bolt
- 3-E R-10 Rubber Tip



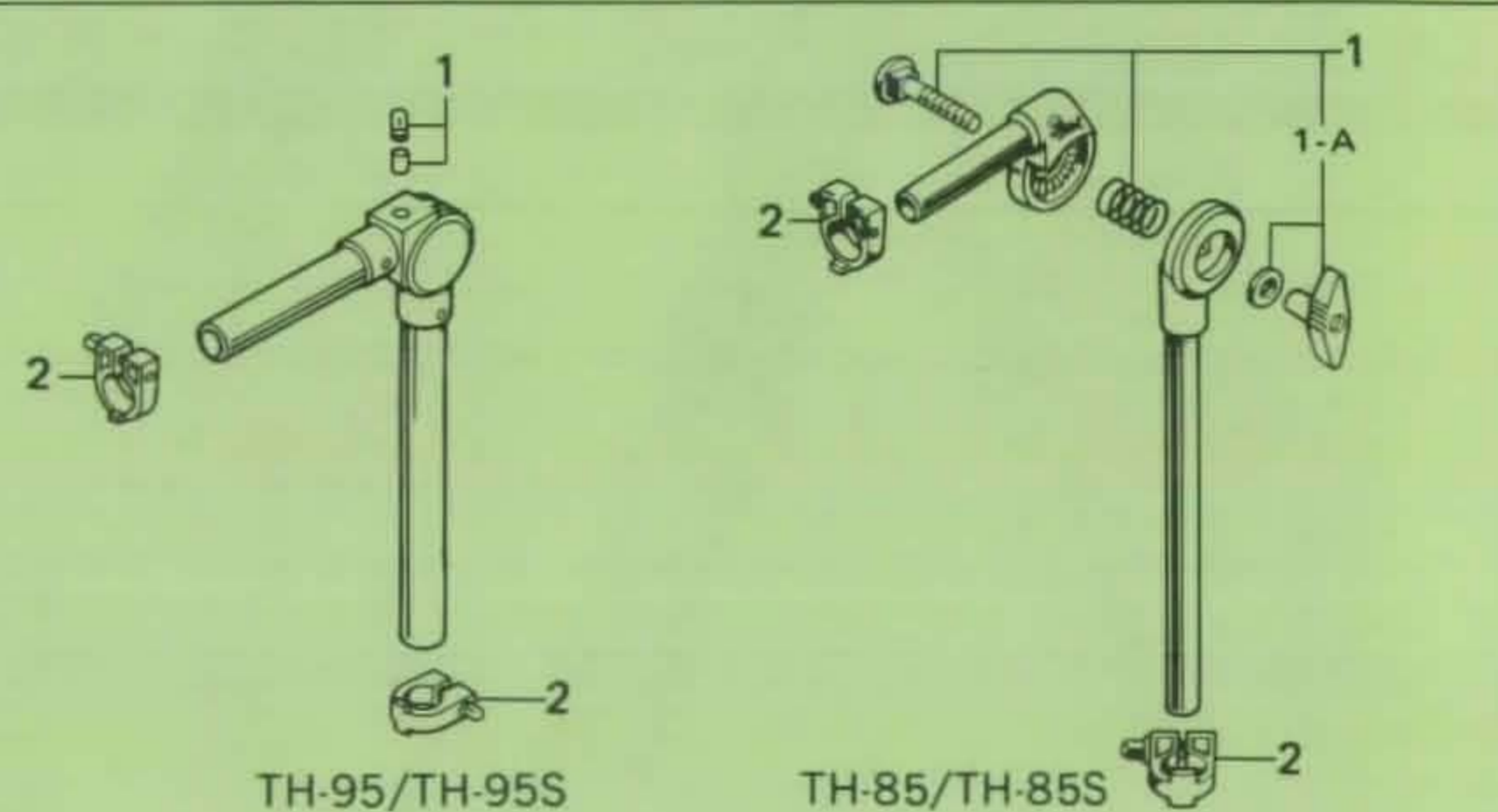
TH-95/TH-95S Tom Holder Arm

- 1 Key Bolt w/Pin
- 2 SX-2 Stop Lock



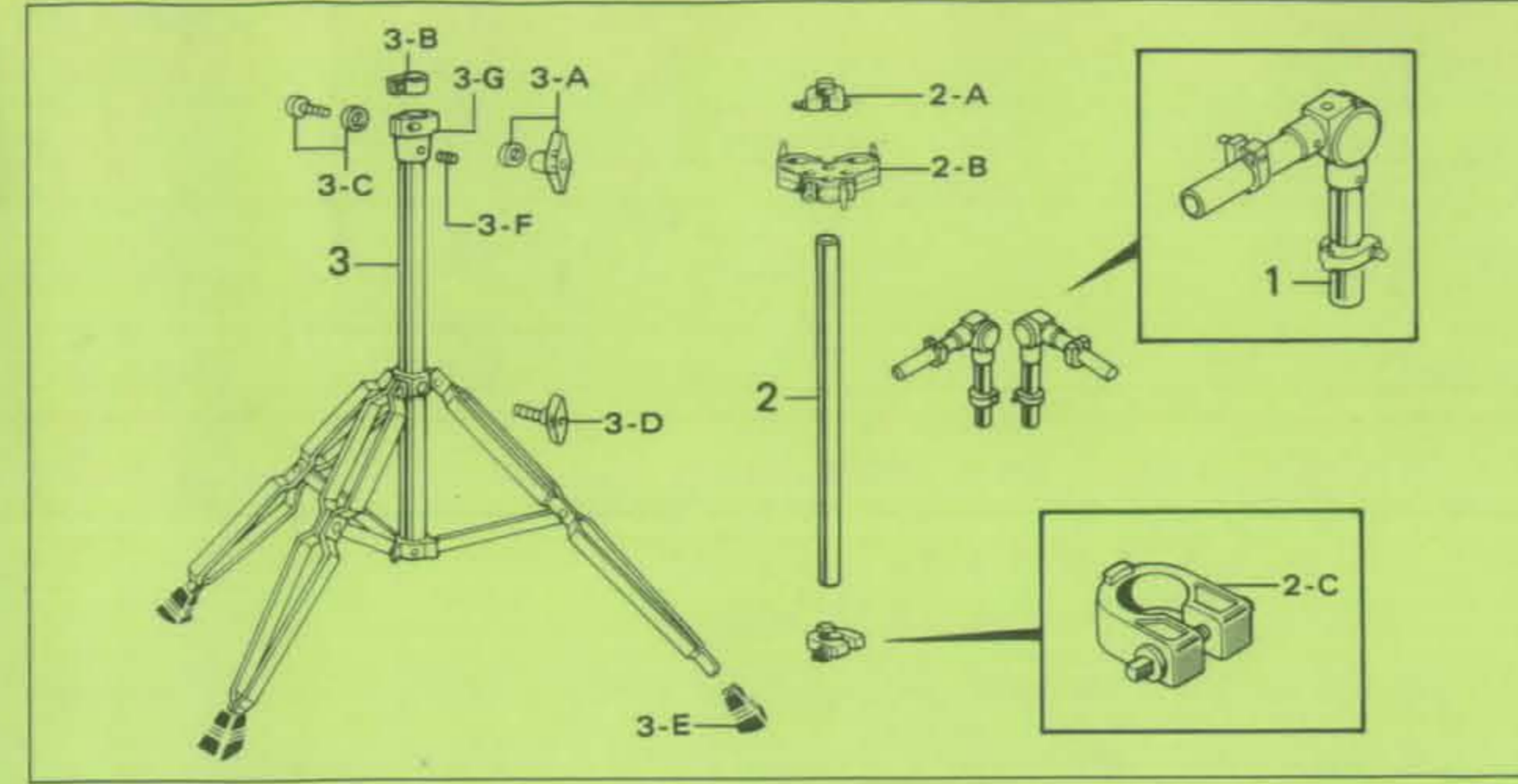
TH-85/TH-85S Tom Holder Arm

- 1 Angle Adjustment Bolt Assy. Complete
- 1-A M-8A Die-Cast Wing Nut w/Washer
- 2 SX-2 Stop Lock



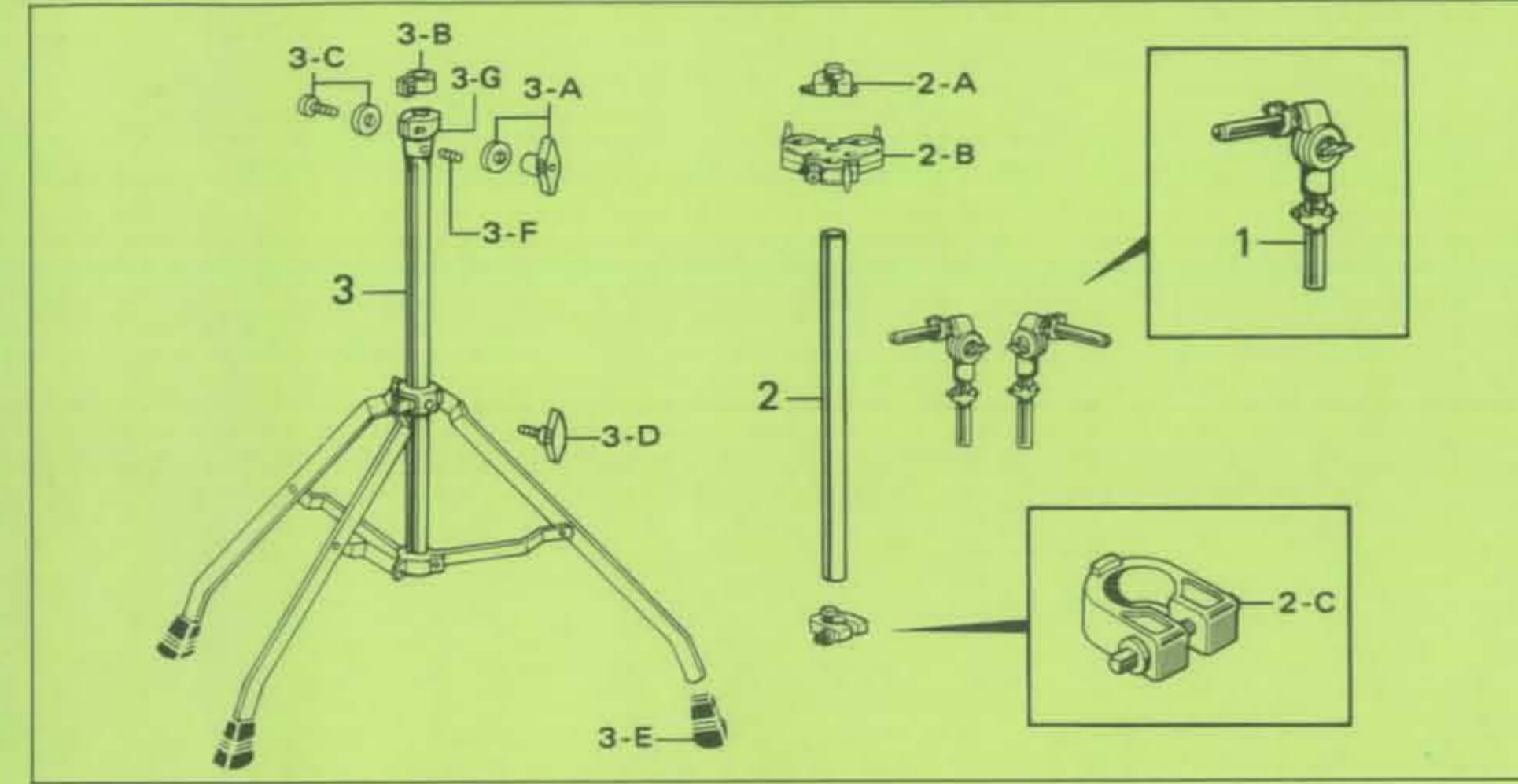
T-980W Twin Tom Stand

- 1 TH-95S Tom Holder/Short — Please refer to TOM HOLDER section —
- 2 Upper Tube Assy. Complete
- 2-A SX-2 Stop Lock
- 2-B AX-30 Adaptor — Please refer to Adaptor section —
- 2-C SX-3 Stop Lock
- 3 Base Assy. Complete
- 3-A M-6 Die-Cast Wing Nut w/Washer
- 3-B NB-7N Nylon Bushing
- 3-C SN-635 Clamp Bolt w/Nylon Washer
- 3-D M-815 Die-Cast Wing Bolt
- 3-E R-22 Rubber Tip
- 3-F SB-44 Allen Screw
- 3-G DJ-70 Die-Cast Joint



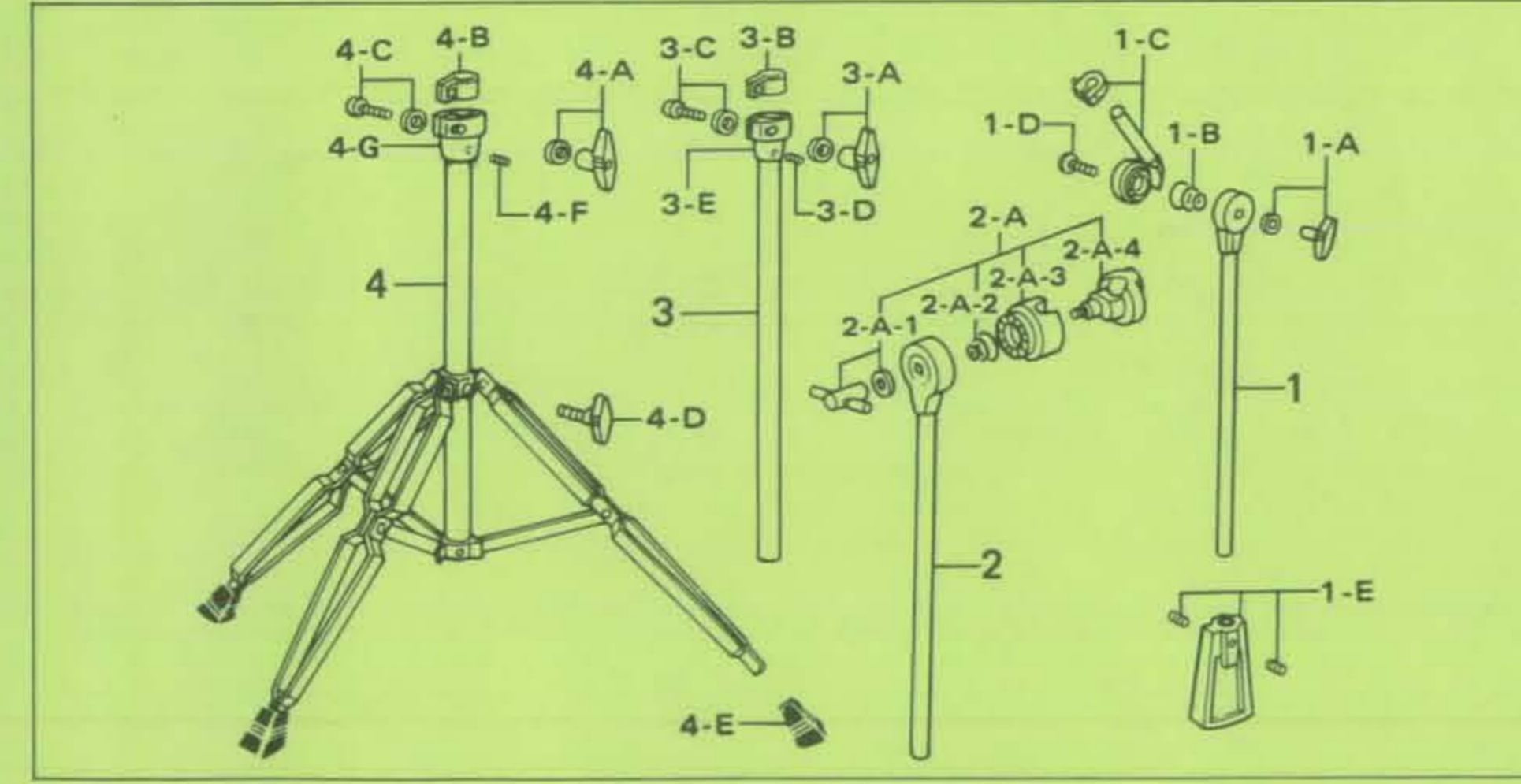
T-850 Twin Tom Stand

- 1 TH-85S Tom Holder/Short — Please refer to TOM HOLDER section —
- 2 Upper Tube Assy. Complete
- 2-A SX-2 Stop Lock
- 2-B AX-30 Adaptor — Please refer to Adaptor section —
- 2-C SX-3 Stop Lock
- 3 Base Assy. Complete
- 3-A M-6 Die-Cast Wing Nut w/Washer
- 3-B NB-7N Nylon Bushing
- 3-C SN-635 Clamp Bolt w/Nylon Washer
- 3-D M-815 Die-Cast Wing Bolt
- 3-E R-10 Rubber Tip
- 3-F SB-44 Allen Screw
- 3-G DJ-70 Die-Cast Joint



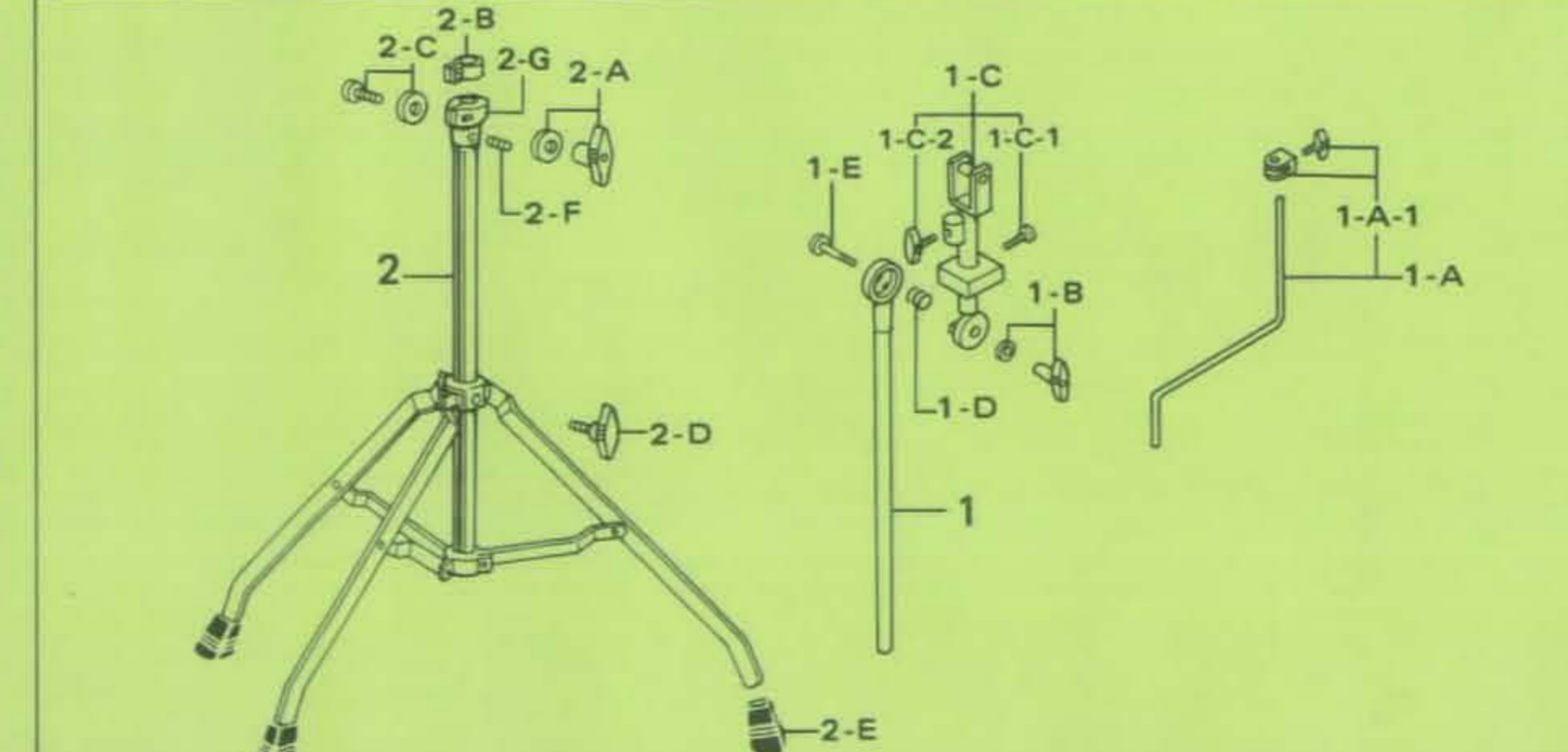
T-850WB Boom Tom Stand

- 1 Boom Arm Assy. Complete
- 1-A M-8A Die-Cast Wing Nut w/Washer
- 1-B Spring
- 1-C Tom Holder Arm w/Stop Lock (SX-2)
- 1-D Bolt
- 1-E Boom Weight w/Allen screws
- 2 Upper Tube Assy. Complete
- 2-A Boom Clamp Assy. Complete
- 2-A-1 M-8C Handle Nut w/Washer
- 2-A-2 Spring
- 2-A-3 Clamp Gear Link
- 2-A-4 Boom Pipe Bracket
- 3 Center Tube Assy. Complete
- 3-A M-6 Die-Cast Wing Nut w/Washer
- 3-B NB-7N Nylon Bushing
- 3-C SN-635 Clamp Bolt w/Nylon Washer
- 3-D SB-44 Allen Screw
- 3-E DJ-70 Die-Cast Joint
- 4 Base Assy. Complete
- 4-A M-6 Die-Cast Wing Nut w/Washer
- 4-B NB-9N Nylon Bushing
- 4-C SN-640 Clamp Bolt w/Nylon Washer
- 4-D M-815 Die-Cast Wing Bolt
- 4-E R-24 Rubber Tip
- 4-F SB-44 Allen Screw
- 4-G DJ-90 Die-Cast Joint



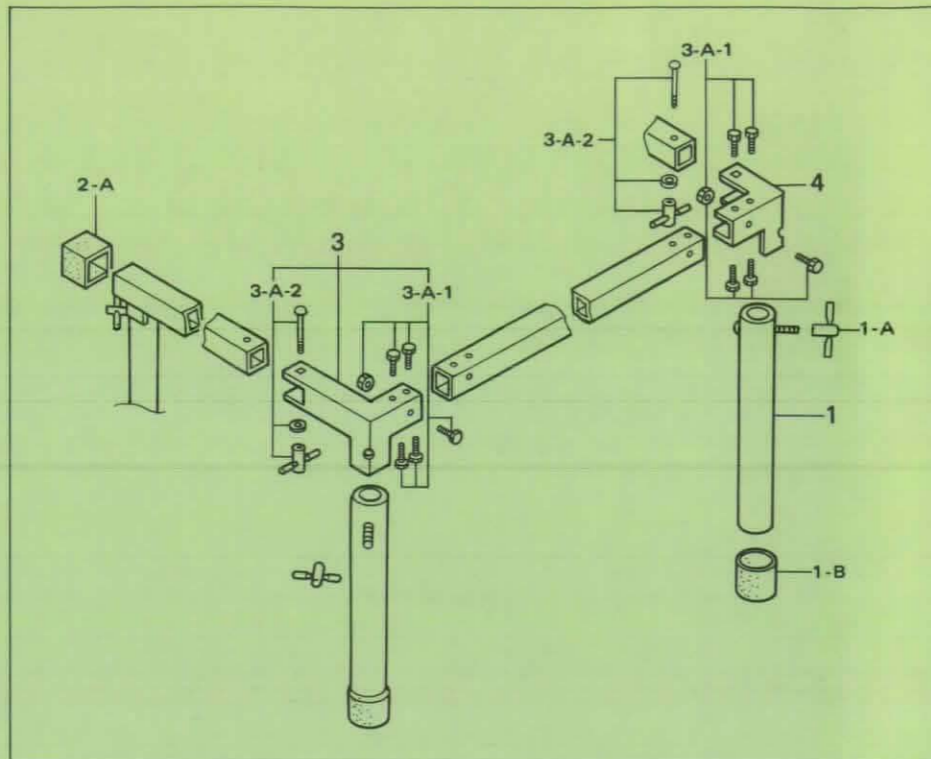
TM-150 Timbales Stand

- 1 Upper Tube Assy. Complete
- 1-A Cowbell Holder
- 1-A-1 Adaptor
- 1-B M-8B Die-Cast Wing Nut w/Washer
- 1-C Top Section Assy. Complete
- 1-C-1 Block Height Adjustment Screw
- 1-C-2 Die-Cast Wing Bolt
- 1-D Spring ONLY
- 1-E Clamp Bolt
- 2 Base Assy. Complete
- 2-A M-6 Die-Cast Wing Nut w/Washer
- 2-B NB-7N Nylon Bushing
- 2-C SN-635 Clamp Bolt w/Nylon Washer
- 2-D M-815 Die-Cast Wing Bolt
- 2-E Rubber Tip
- 2-F SB-44 Allen Screw
- 2-G DJ-70 Die-Cast Joint



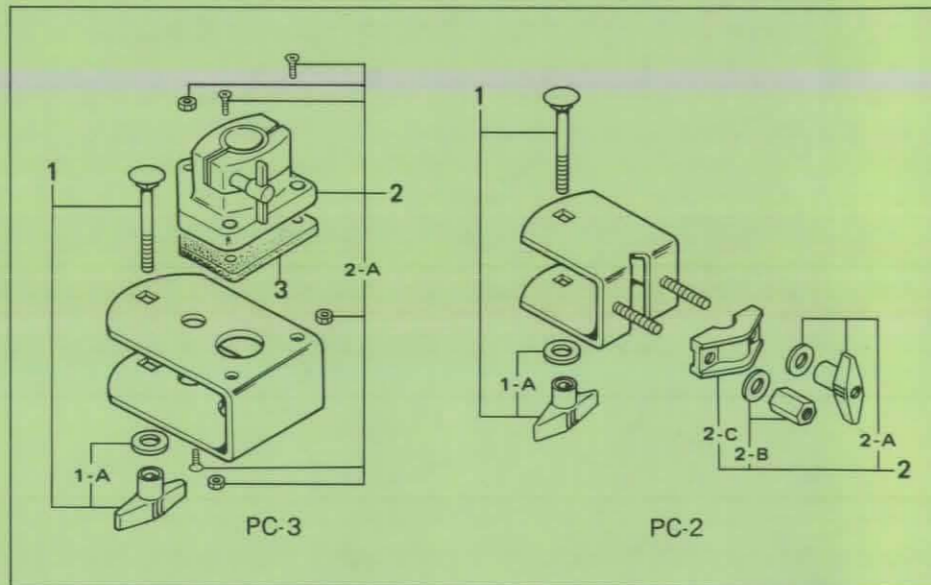
DR-1/DR-2 Drum Rack

- 1 Pipe Leg w/Bolt
- 1-A Handle Nut
- 1-B Rubber Cap
- 2-A End Cover
- 3 Corner Angle (Left) Assy. Complete
- 3-A-1 Mounting Screws w/Nut
- 3-A-2 Handle Nut & Bolt Set
- 4 Corner Angle (Right)



PC-3 Pipe Clamp

- 1 Die-Cast Wing Nut & Bolt Set
- 1-A M-8D Die-Cast Wing Nut w/Washer
- 2 BT-2 Tom Holder Bracket
- 2-A BT-2 Setting Screws
- 3 Spacer

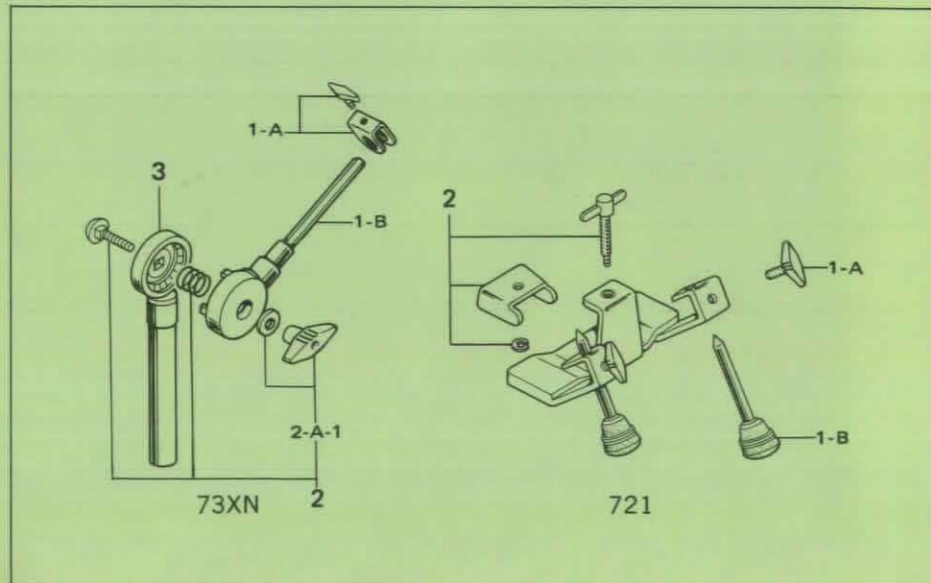


PC-2 Pipe Clamp

- 1 Die-Cast Wing Nut & Bolt Set
- 1-A M-8D Die-Cast Wing Nut w/Washer
- 2 Die-Cast Link & Nut Set
- 2-A M-8A Die-Cast Wing Nut w/Washer
- 2-B M-8SW Hexagonal Nut w/Washer
- 2-C Die-Cast Link

73XN Cowbell Holder

- 1-A Die-Cast Wing Bolt w/Bracket
- 1-B Main Bar - Hexagonal -
- 2-A Die-Cast Wing Nut & Bolt Set
- 2-A-1 M-8B Die-Cast Wing Nut w/Washer
- 3 Tube w/Gear Link



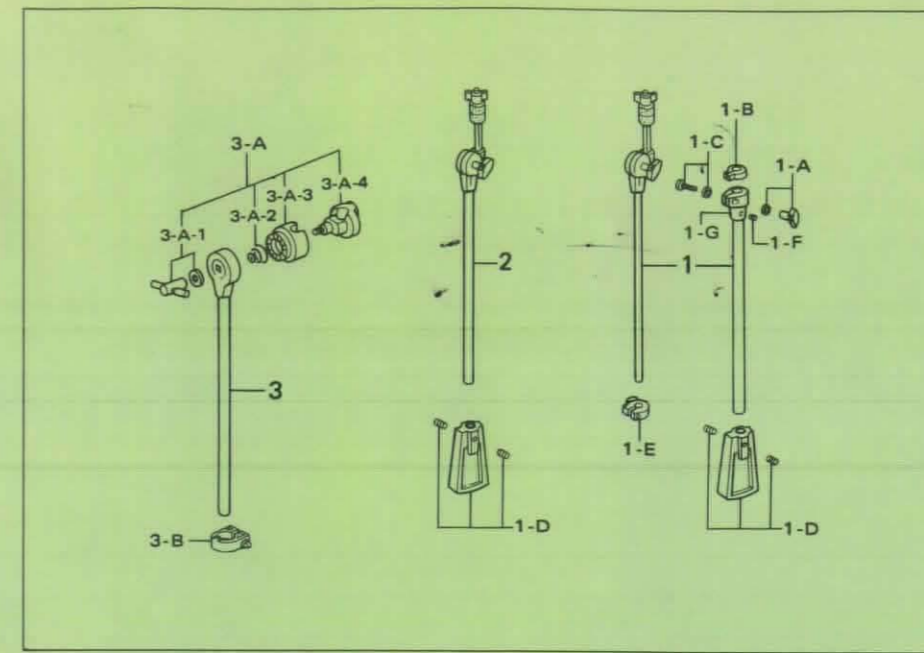
721 Bass Drum Anchor

- 1-A M-6 Die-Cast Wing Bolt
- 1-B Anchor Unit
- 2 Hoop Clamp Assy.

CH-95/CH95T Cymbal Holder

- 1 Boom Arm Assy. Complete (for CH-95T)
- 1-A M-6 Die-Cast Wing Nut w/Washer
- 1-B NB-5N Nylon Bushing
- 1-C SN-635 Clamp Bolt w/Nylon Washer
- 1-D Boom Weight w/Allen Screws
- 1-E SX-6 Stop Lock
- 1-F Allen Screw
- 1-G DJ-50 Die-Cast Joint
- 2 Boom Arm Assy. Complete (for CH-95)
- 3 Upper Tube Assy. Complete
- 3-A Boom Clamp Assy. Complete
- 3-A-1 M-8C Handle Nut w/Washer
- 3-A-2 Spring
- 3-A-3 Clamp Gear Link
- 3-A-4 Boom Pipe Bracket
- 3-B SX-2 Stop Lock

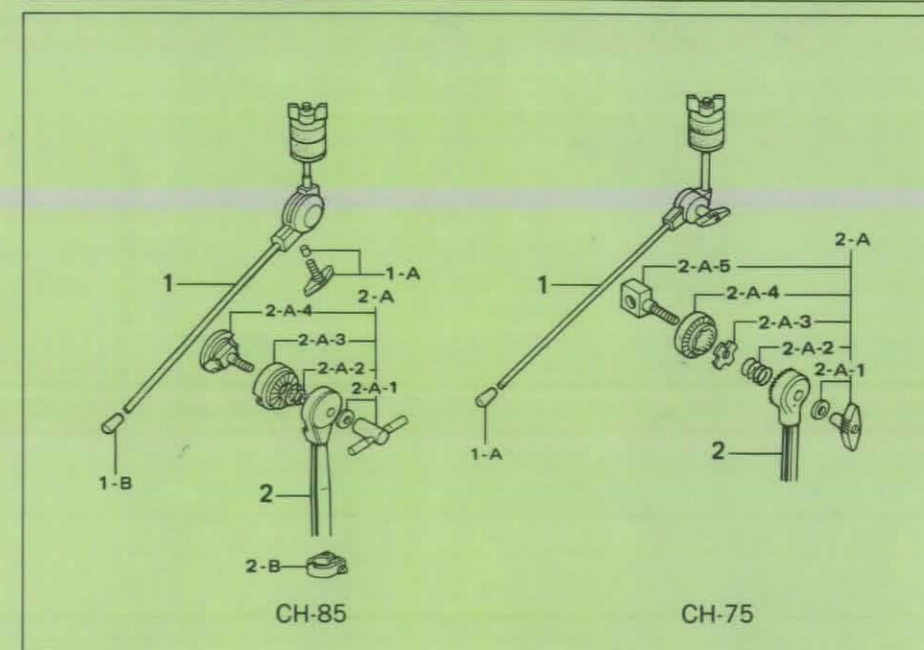
Please refer to Cymbal Tilter section.



CH-85 Cymbal Holder

- 1 Boom Arm Assy. Complete
- 1-A M-815P Die-Cast Wing Bolt w/Pin
- 1-B Rubber tip
- 2 Tube Assy. Complete
- 2-A Boom Clamp Assy. Complete
- 2-A-1 M-8C Handle Nut w/Washer
- 2-A-2 Spring
- 2-A-3 Clamp Gear Link
- 2-A-4 Boom Pipe Bracket
- 2-B SX-2 Stop Lock

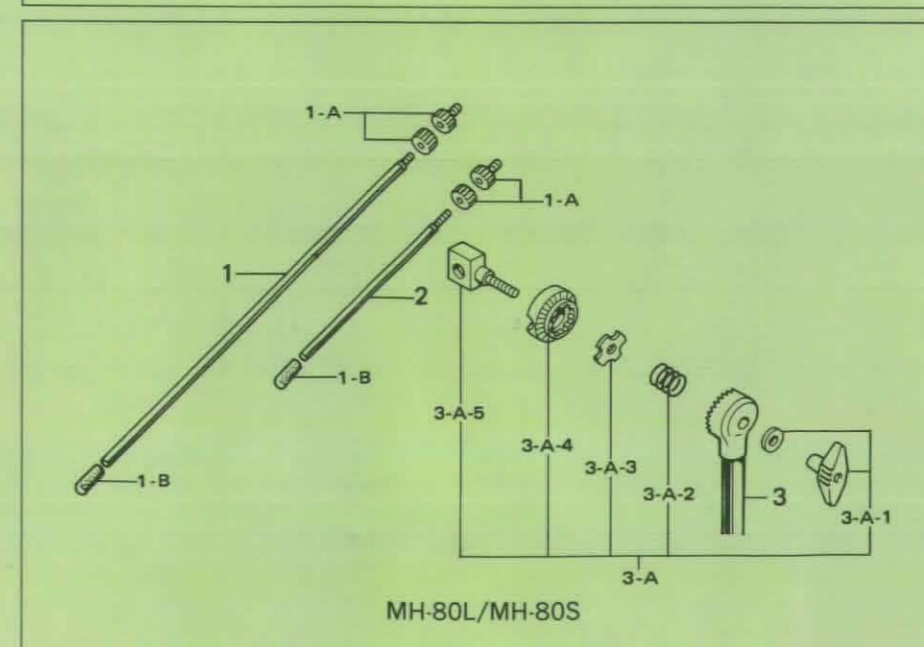
Please refer to Cymbal Tilter section.



CH-75 Cymbal Holder

- 1 Boom Arm Assy. Complete
- 1-A Rubber Tip
- 2 Tube Assy. Complete
- 2-A Boom Clamp Assy. Complete
- 2-A-1 M-8B Die-Cast Wing Nut w/Washer
- 2-A-2 Spring
- 2-A-3 Spring Plate
- 2-A-4 Clamp Gear Link
- 2-A-5 Boom Clamp Bolt

Please refer to Cymbal Tilter section.

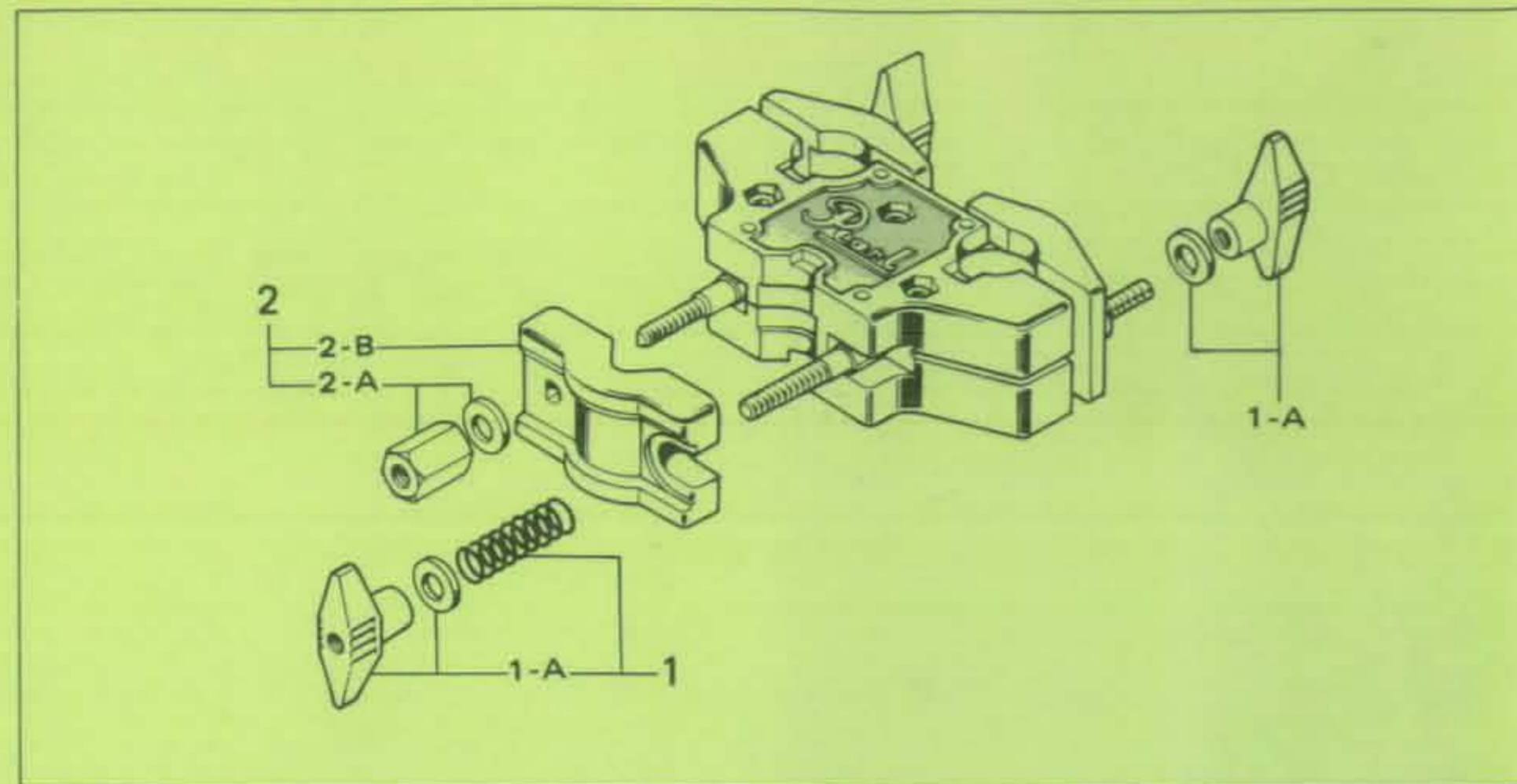


MH-80L/MH-80S Microphone Holder

- 1 Boom Arm Assy. Complete (MH-80L)
- 1-A Adaptor
- 1-B Rubber Tip
- 2 Boom Arm Assy. Complete (MH-80S)
- 3 Tube Assy. Complete
- 3-A Boom Clamp Assy. Complete
- 3-A-1 M-8B Die-Cast Wing Nut w/Washer
- 3-A-2 Spring
- 3-A-3 Spring Plate
- 3-A-4 Clamp Gear Link
- 3-A-5 Boom Clamp Bolt

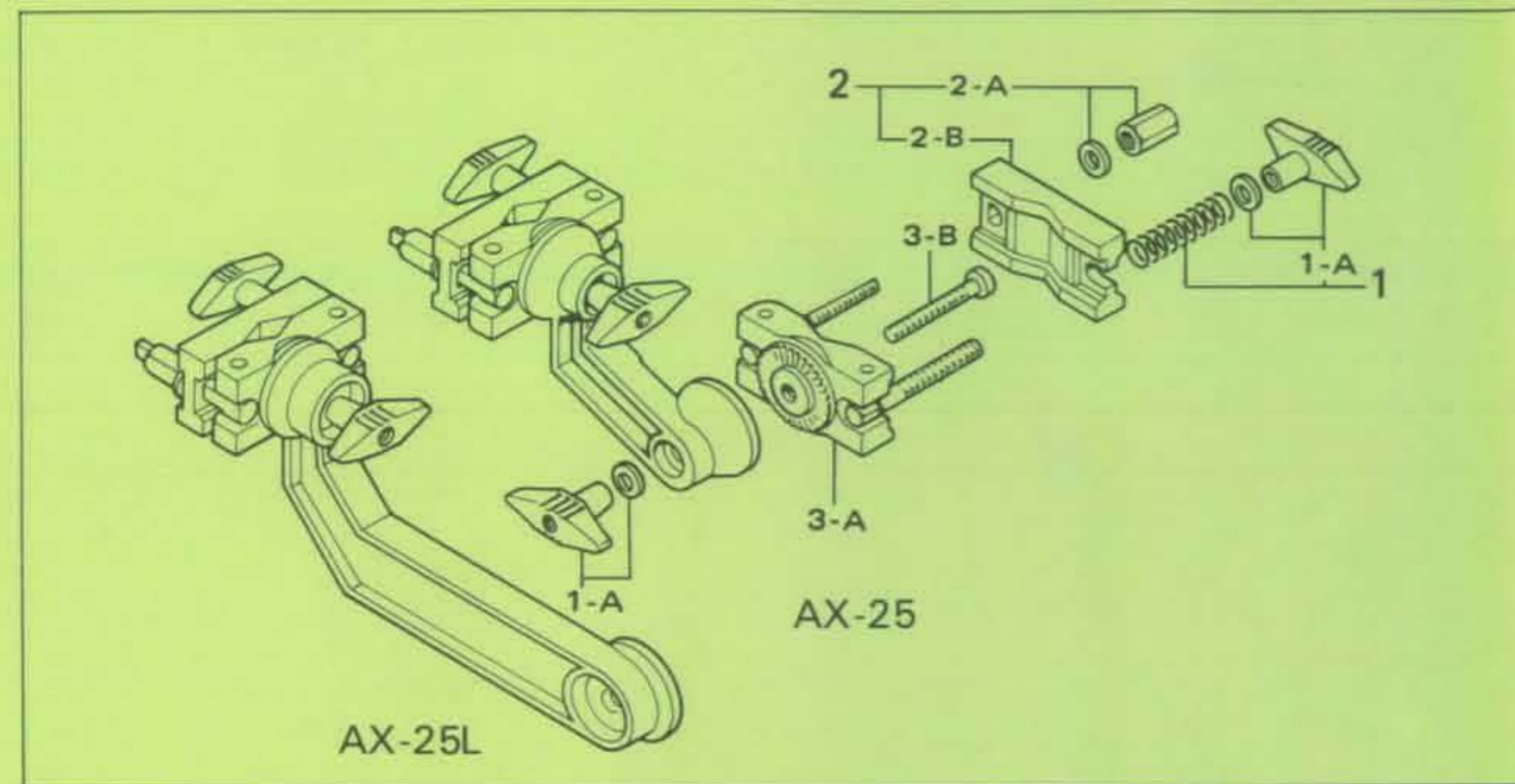
AX-30 Adaptor

- 1 Die-Cast Wing Nut w/Washer & Spring
- 1-A M-8A Die-Cast Wing Nut w/Washer
- 2 Die-Cast Link w/Hexagonal Nut & Washer
- 2-A M-8SW Hexagonal Nut w/Washer
- 2-B Die-Cast Link



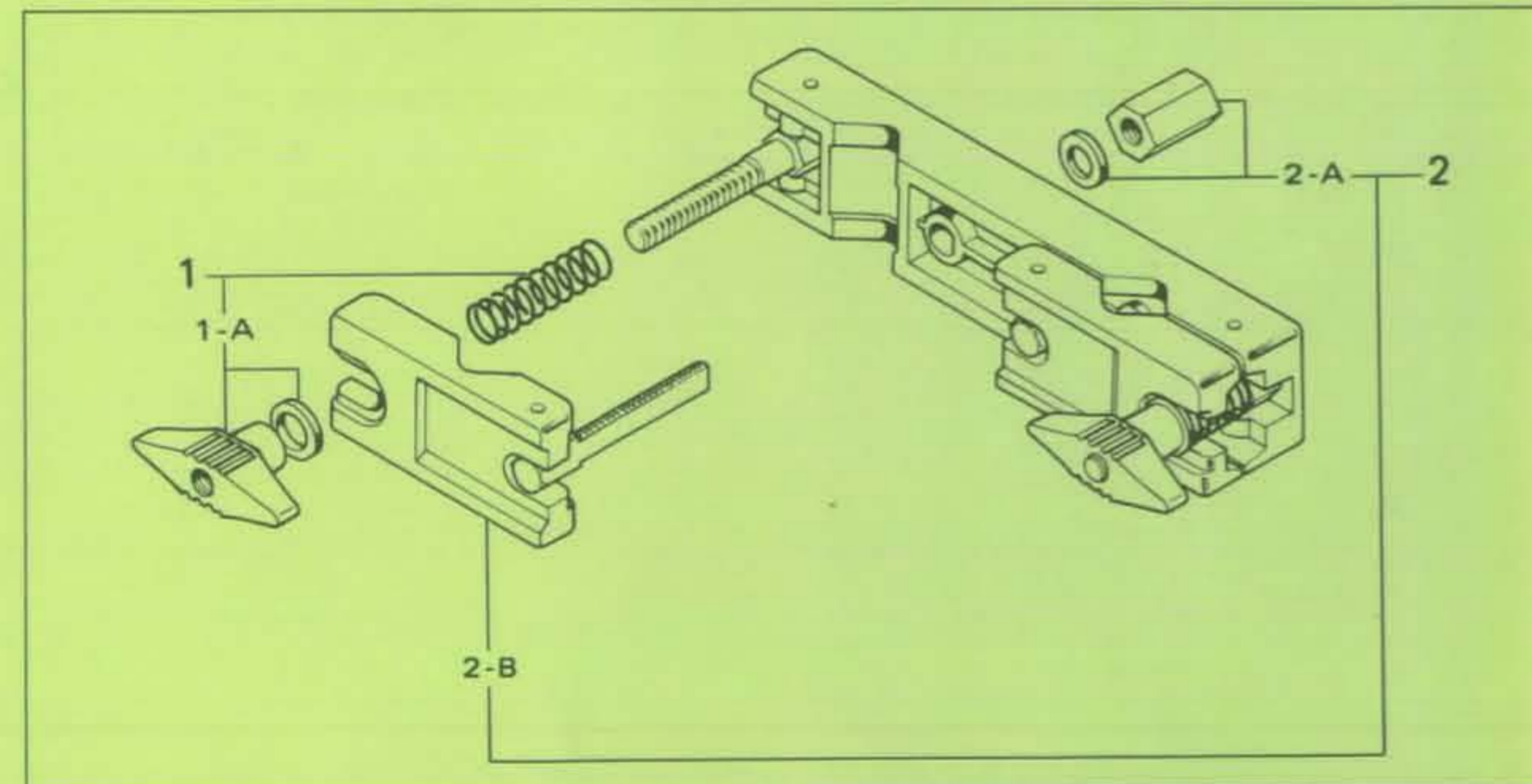
AX-25/AX-25L Adaptor

- 1 Die-Cast Wing Nut w/Washer & Spring
- 1-A M-8A Die-Cast Wing Nut w/Washer
- 2 Die-Cast Link w/Hexagonal Nut & Washer
- 2-A M-8SW Hexagonal Nut w/Washer
- 2-B Die-Cast Link
- 3-A Die-Cast Gear Link Assy.
- 3-B Center Bolt



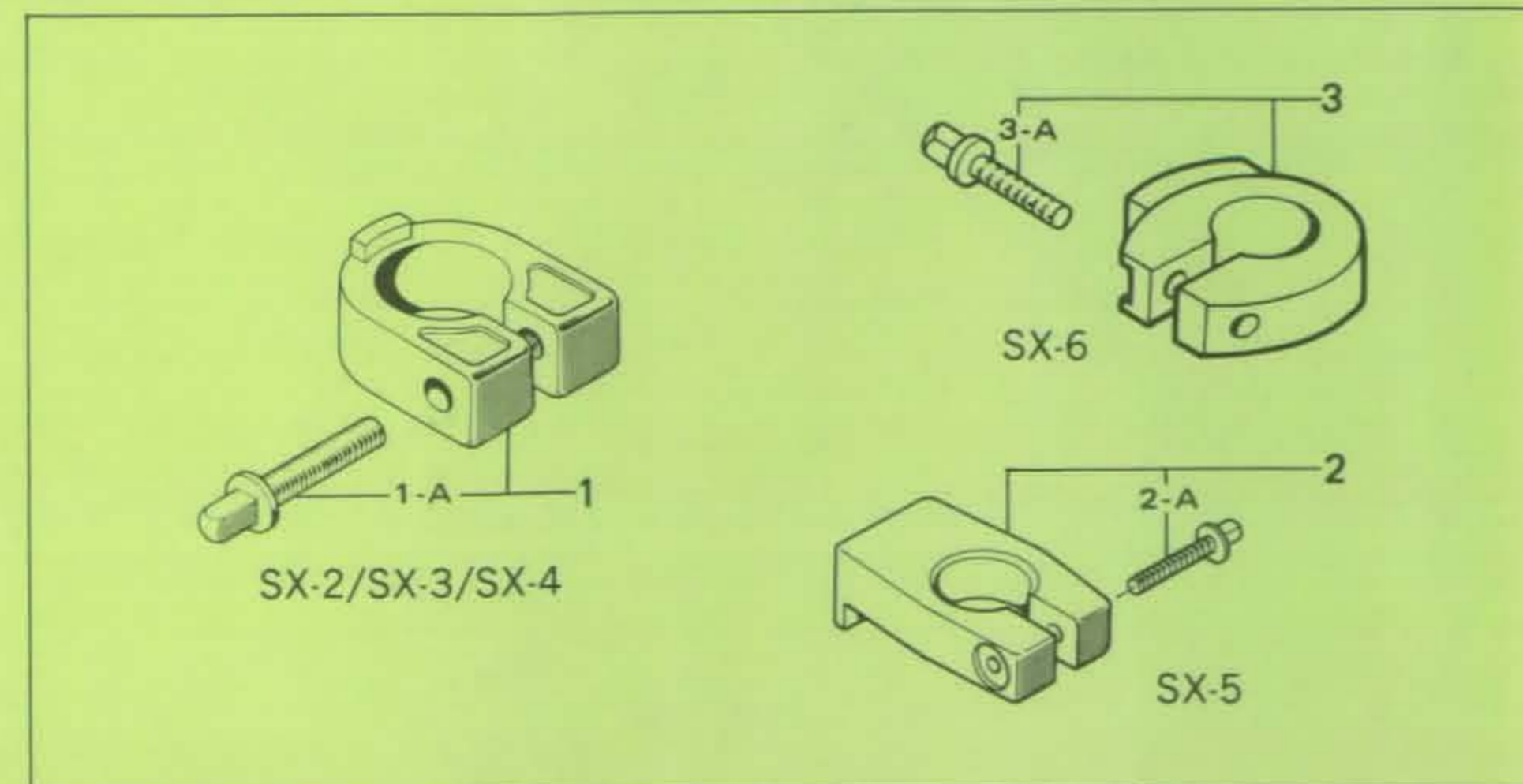
AX-20 Adaptor

- 1 Die-Cast Wing Nut w/Washer & Spring
- 1-A M-8A Die-Cast Wing Nut w/Washer
- 2 Die-Cast Link w/Odd Bolt, Hexagonal Nut & Washer
- 2-A M-8SW Hexagonal Nut w/Washer
- 2-B Die-Cast Link w/Odd Bolt



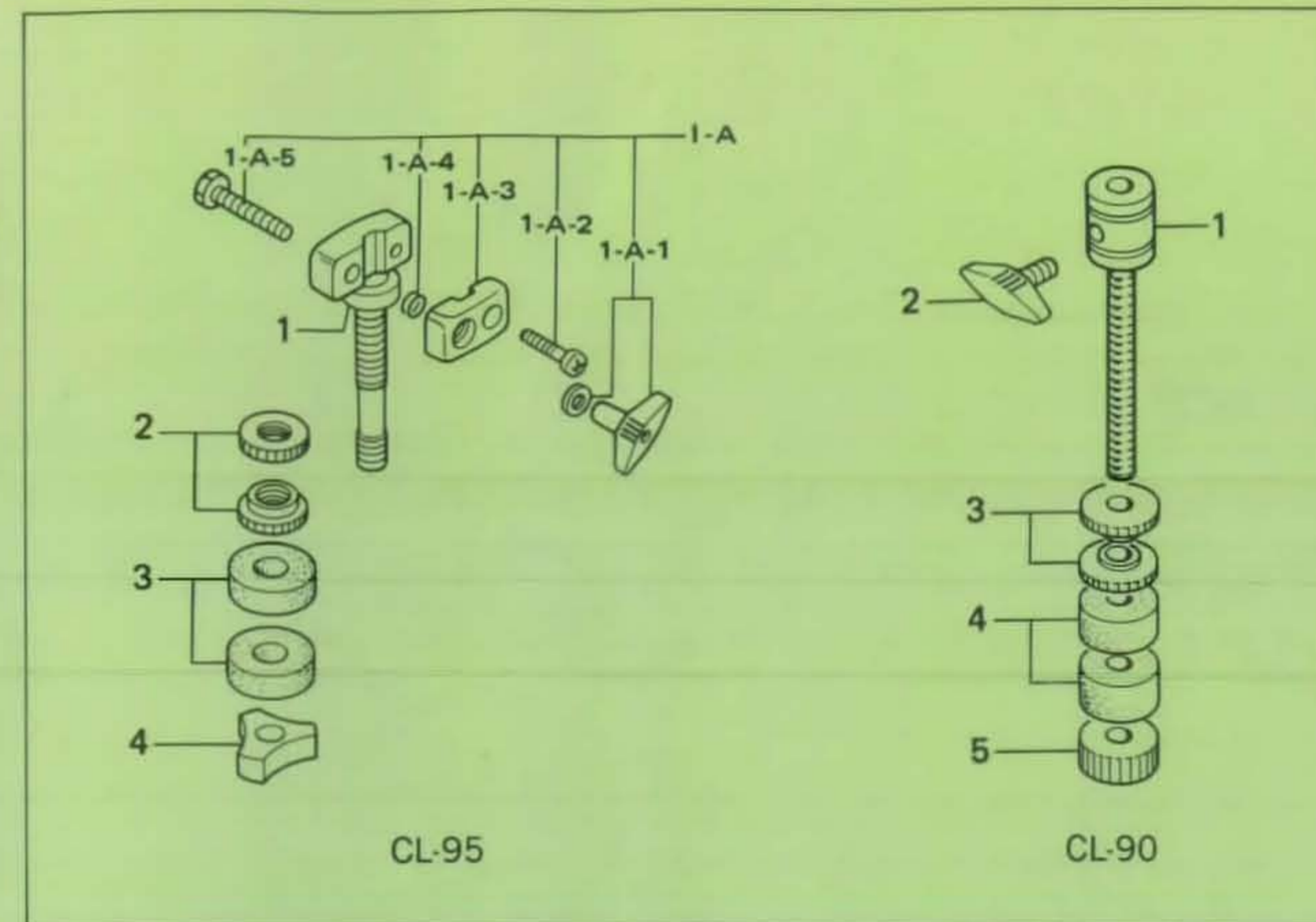
Stop Locks

- 1 SX-2 for Tom Holders CH95, CH-95T, CH-85
- SX-3 for T-980W, T-850
- SX-4 for H-950, H-850, H-850W
- 1-A Key Bolt
- 2 SX-5 for D-850 & D730
- 2-A Key Bolt
- 3 SX-6 for B-950WT, CH-95T, H-750
- 3-A Key Bolt



CL-95 Hi-Hat Clutch

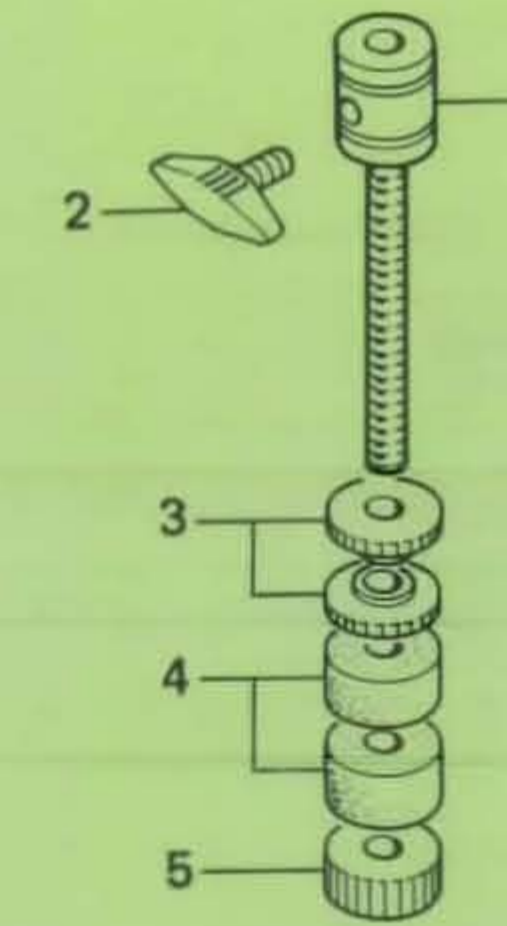
- 1 Pipe Bolt
- 1-A Die-Cast Link Assy. Complete
- 1-A-1 M-6 Die-Cast Wing Nut w/Washer
- 1-A-2 Clamp Bolt
- 1-A-3 Die-Cast Link ONLY
- 1-A-4 Spring
- 1-A-5 Clamp Bolt
- 2 Lock Nut (one each)
- 3 Felt Washers for Hi-Hat Clutch
- 4 Bottom Lock Nut



CL-95

CL-90 Hi-Hat Clutch

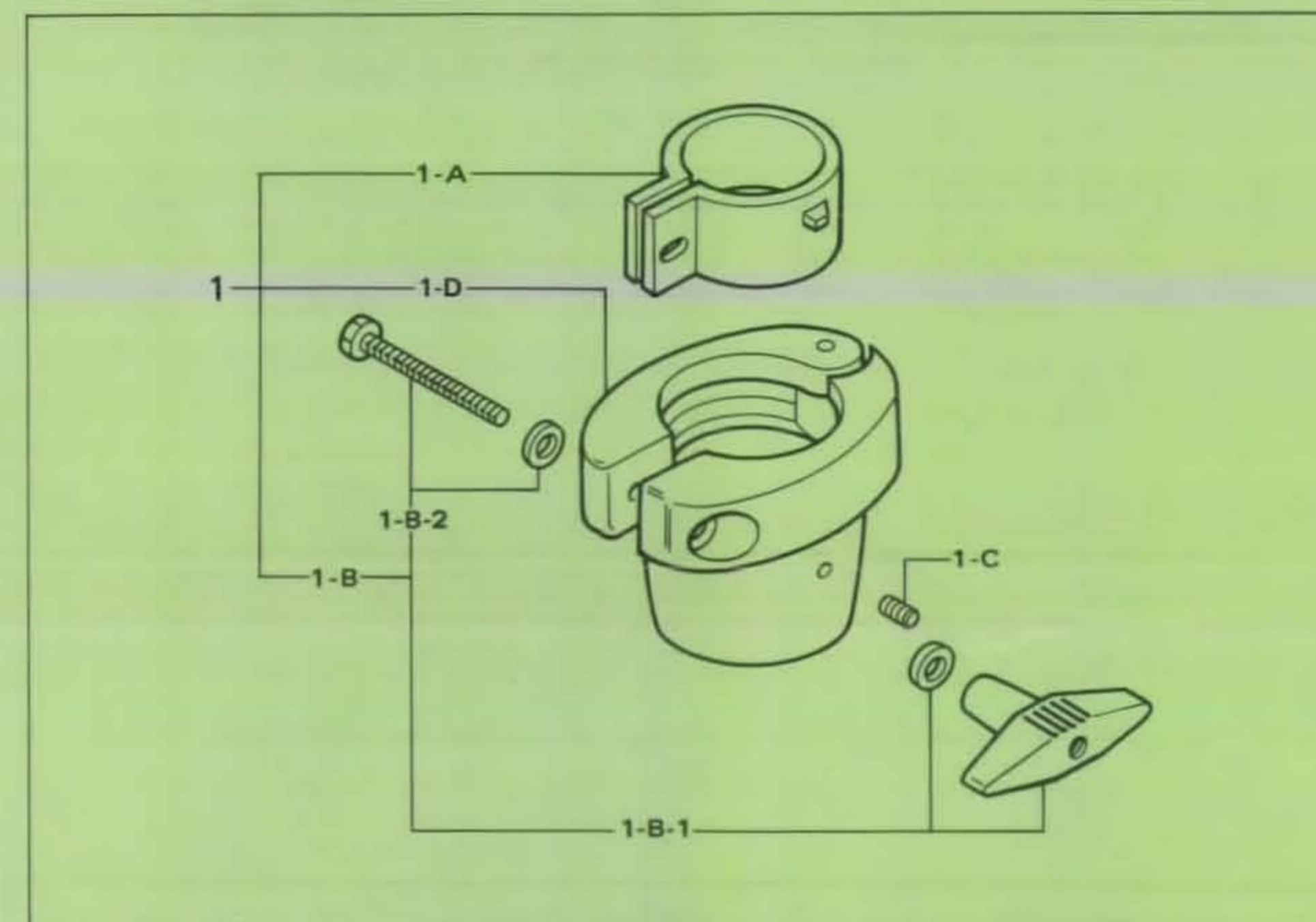
- 1 Pipe Bolt
- 2 M-610 Die-Cast Wing Bolt
- 3 Lock Nut (one each)
- 4 Felt Washers for Hi-Hat Clutch
- 5 Bottom Lock Nut



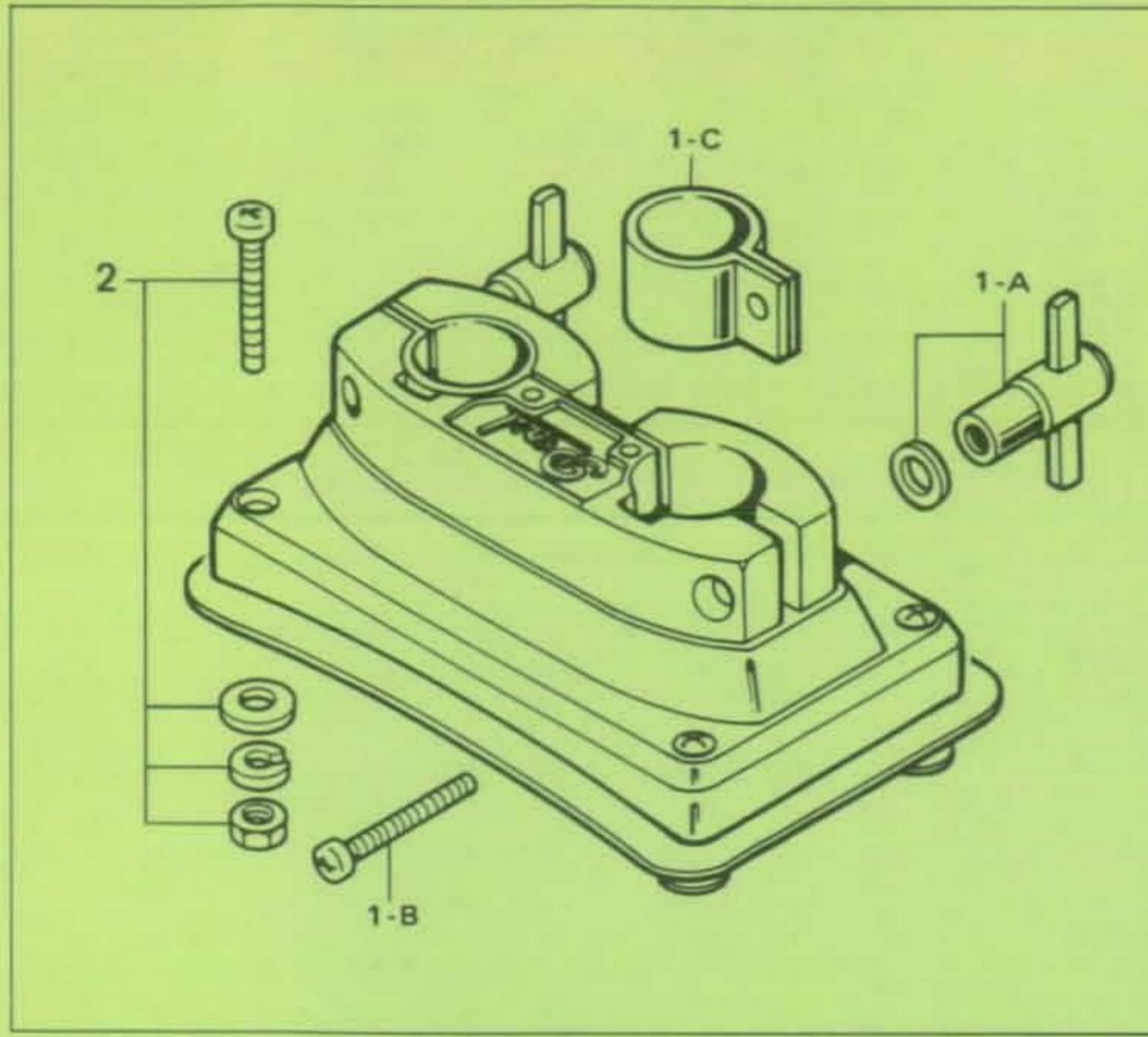
CL-90

Die-Cast Clamp-Nylon Bushing

- 1 Die-Cast Clamp Complete
- 1-A Nylon Bushing
- 1-B Die-Cast Wing Nut & Bolt Set
- 1-B-1 M-6 Die-Cast Wing Nut w/Washer
- 1-B-2 Clamp Bolt w/Washer
- 1-C SB-44 Allen Screw
- 1-D Die-Cast Joint

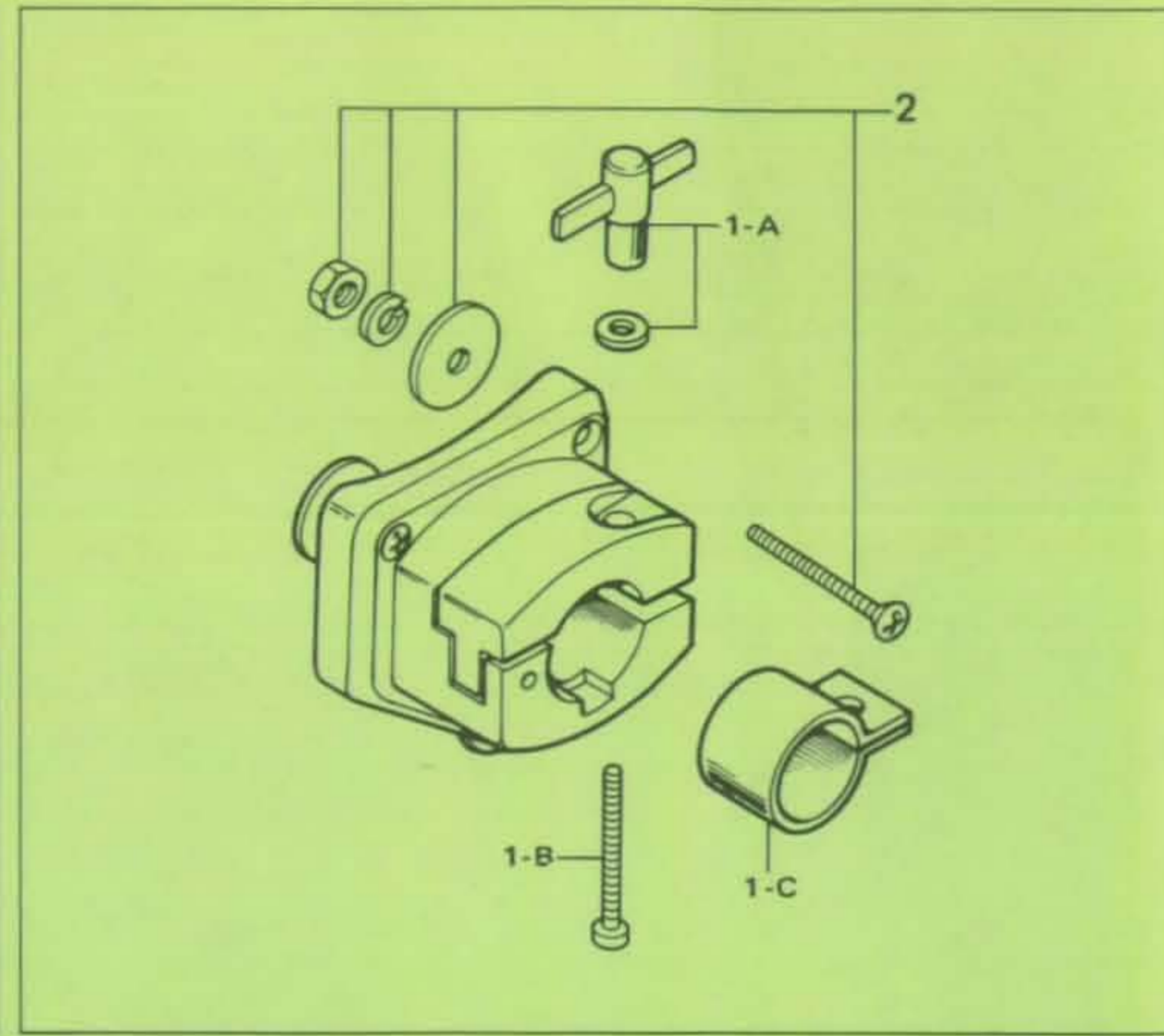


Die-Cast Joint	Nylon Bushing	Application
DJ-40	NB-4N	Center Tube of C-750 (1/2 inch)
DJ-50	NB-5N	Center Tube of B-850W, B-850, C-850, C-850, H-750, B-950WT (Boom), CH-95T (Boom), C-750, B-750 (Base Section), (5/8 inch)
DJ-70	NB-7N	Center Tube of B-950W, B-950WT, C-950W, T-850WB Base Section of B-850W, B-850, C-850, C-850W, T-980W, T-850, S-950W, S-850W, S-850, S-750, TM-150 Stand (7/8 inch)
DJ-80	NB-8N	Base Section of H-950, H-850W, H-850 (1 inch)
DJ-90	NB-9N	Base Section of B-950W, B-950WT, C-950W, T-850WB (1-1/8 inch)



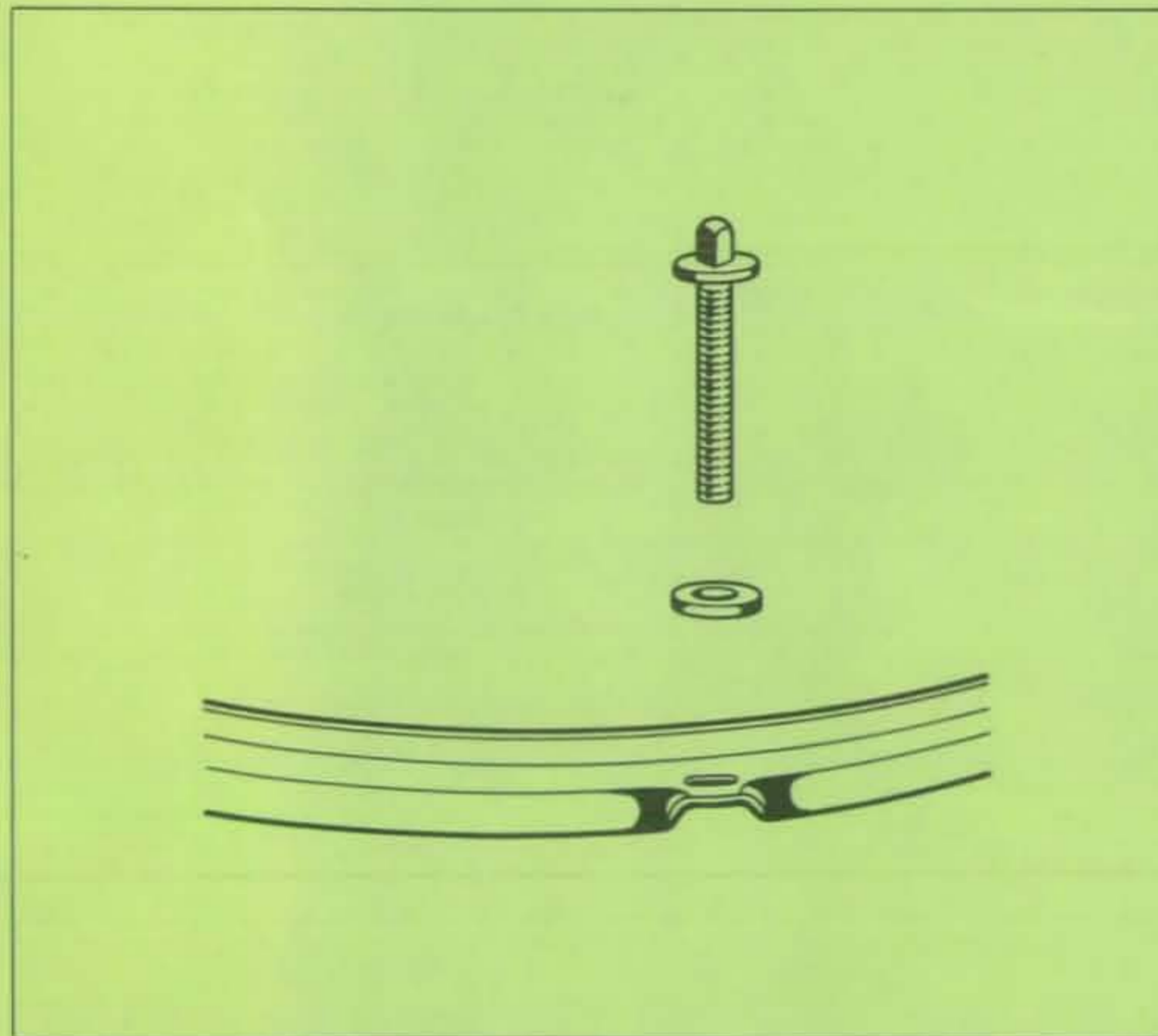
BB-2 Bass Drum Bracket

- 1-A M-6M Handle Nut w/Washer
- 1-B S-640 Clamp Bolt
- 1-C NB-7N Nylon Bushing
- 2 Mounting Screws, Washers & Nuts



BT-2 Tom Tom Bracket

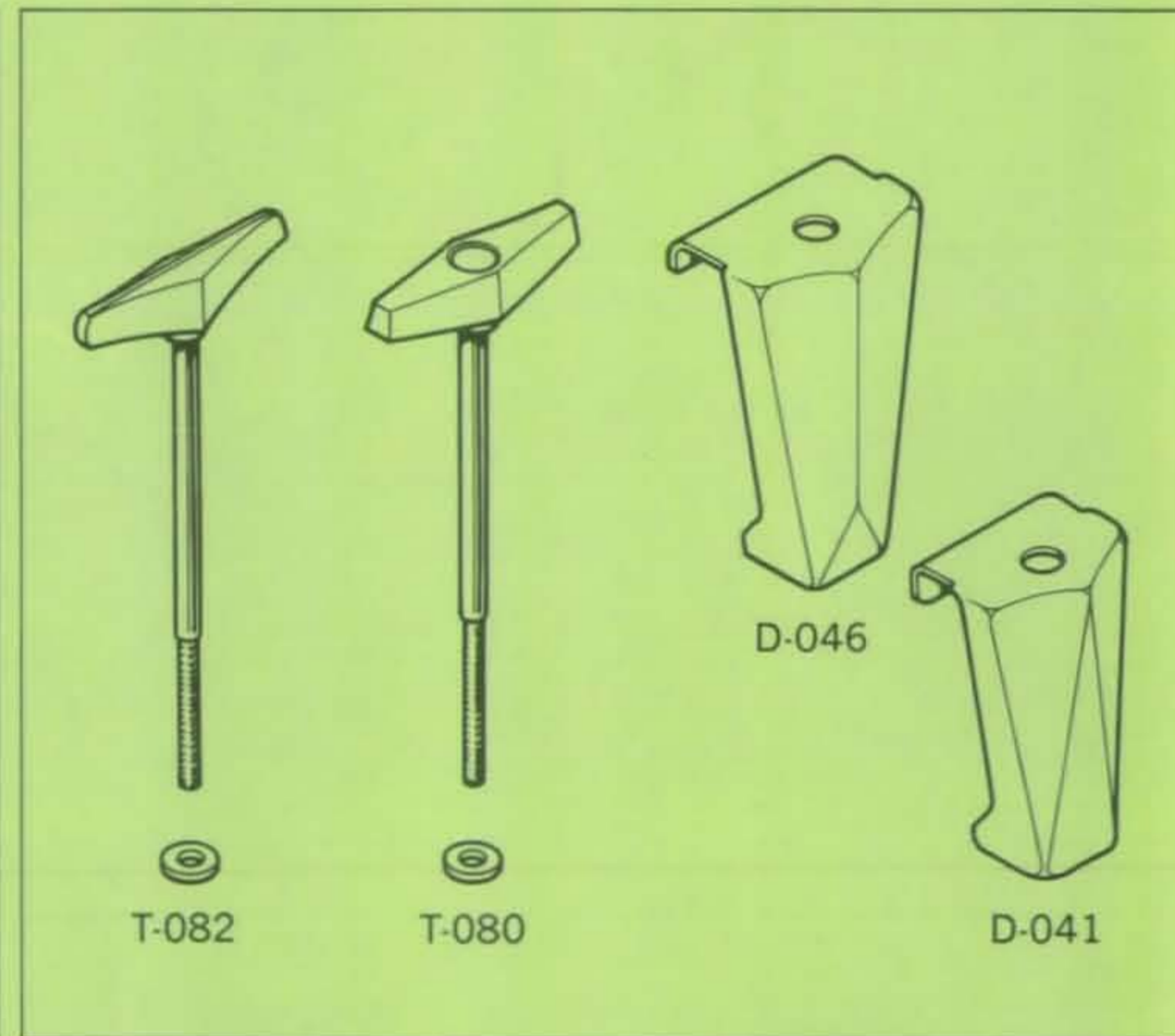
- 1-A M-6M Handle Nut w/Washer
- 1-B S-640 Clamp Bolt
- 1-C NB-7N Nylon Bushing
- 2 Mounting Screws, Washers & Nuts



Tension Key Rods (w/Washer)

Number	Description	Application
T-060	W 7/32 x 35m/m	5" x 14" & 8" x 14" Snare Drums Snare Side of Free Floating Snare Drums Batter Side of 3-1/2" Piccolo Free Floating Snare Drum
T-061	W 7/32 x 42m/m	Tom Toms, Floor Toms, 6" to 12" Concert Toms Batter Side of 5-1/2" / 6-1/2" / 8" Free Floating Snare Drums
T-062	W 7/32 x 52m/m	6-1/2" x 14" Snare Drum, 6-1/2" x 10" Tom Tom 13" & 14" Concert Toms, SG-02 Super Gripper Lug
T-063	W 7/32 x 65m/m	15" & 16" Concert Toms
T-066	M6.0 x 110m/m	Bass Drums, SG-01 Super Gripper Lug

MW-12 Metal Washer for Tension Key Screws (1 oz.)
 NW-12 Nylon Washer for Tension Key Screws (1 oz.)
 Please refer to Tension Key Rods for Hi-Tension Lugs & 3 Piece Hi-Tension Lugs.

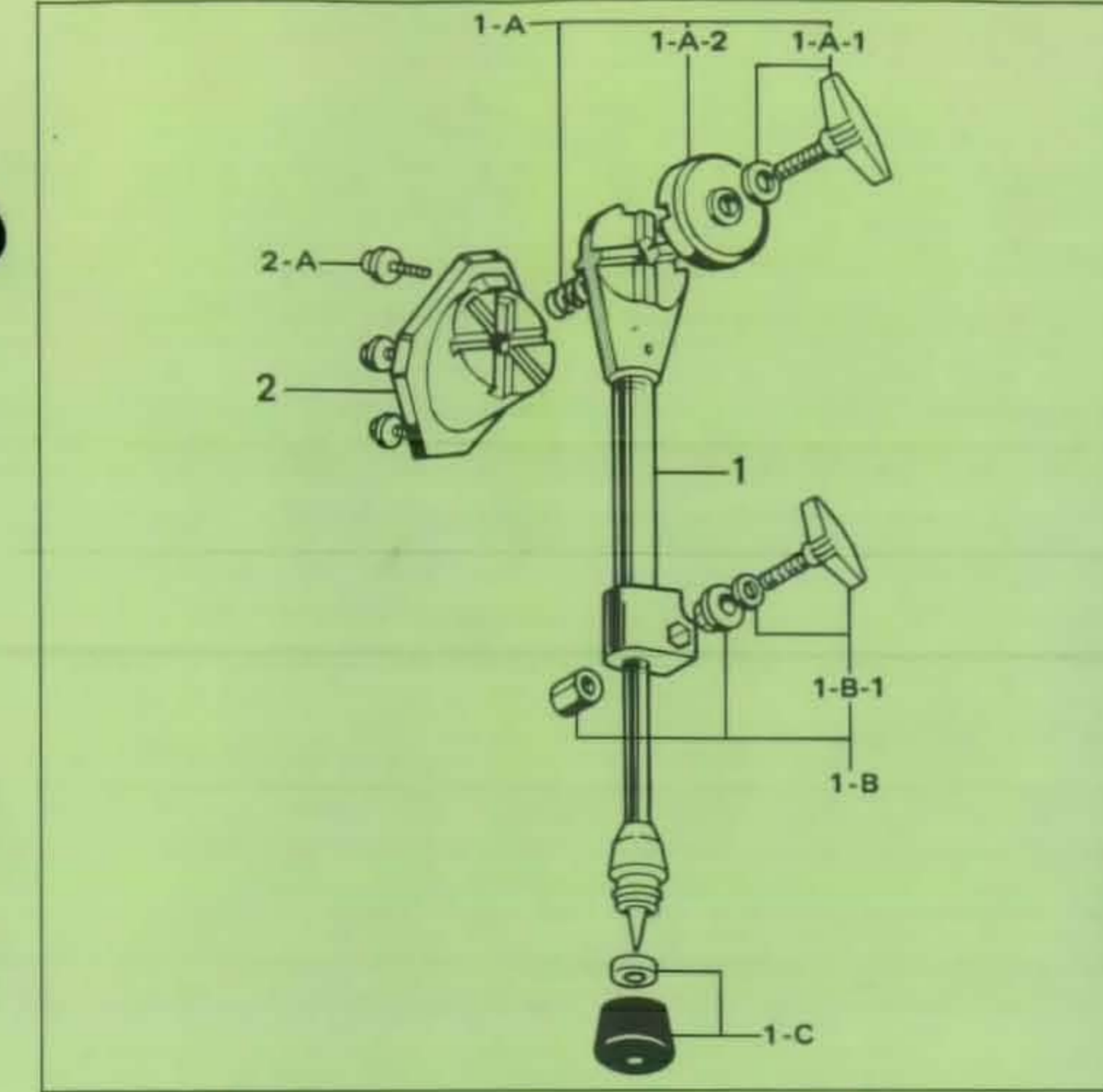


Tension Handle Rods

- T-082 M6.0 x 110 m/m Handle Rod w/Nylon Washer for GLX, MLX, MX, BLX, CZX Bass Drums
- T-080 M6.0 x 110 m/m Handle Rod w/Metal Washer for WLX, WX, EX Bass Drums

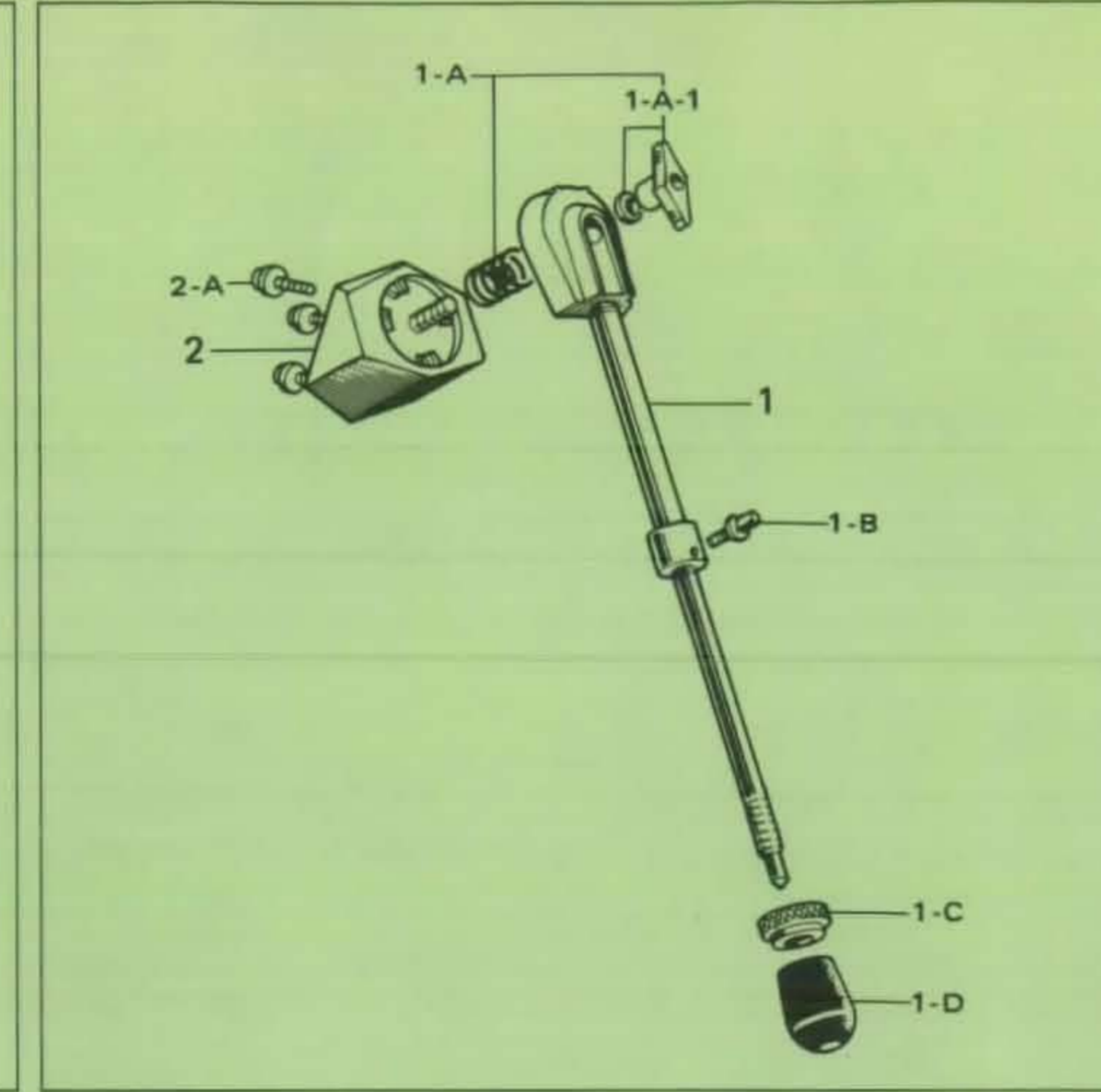
Tension Hooks

- D-046 Tension Hook for GLX, MLX, MX, BLX, CZX Bass Drums
- D-041 Tension Hook for WLX, WX, EX Bass Drums



SP-30 Bass Drum Spur

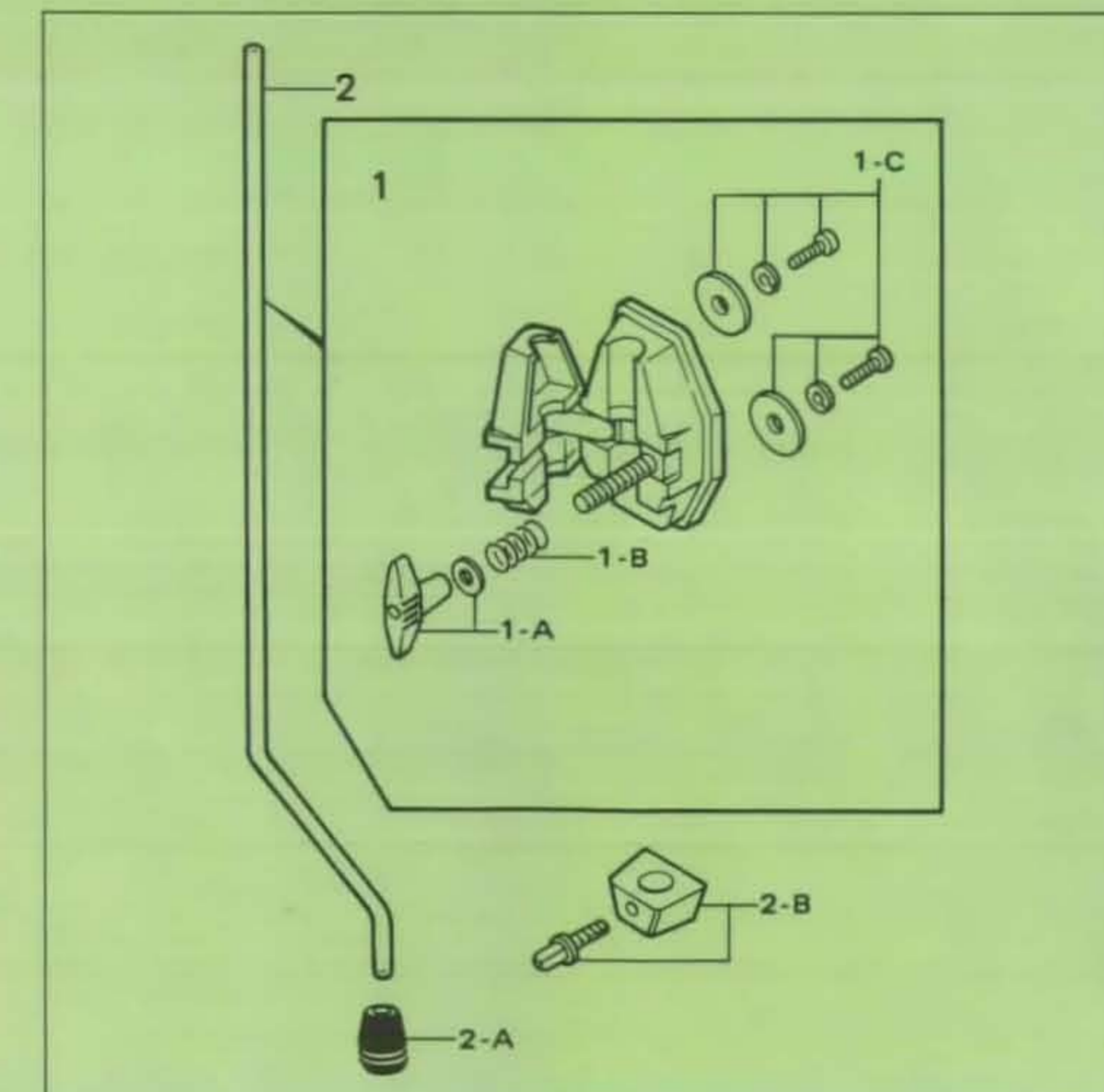
- 1 Spur Assy. Complete
- 1-A Die-Cast Wing Bolt Set
- 1-A-1 M-835 Die-Cast Wing Bolt w/Washer
- 1-A-2 Outer Cap
- 1-B Die-Cast Wing Bolt Set
- 1-B-1 Die Cast Wing Bolt w/Washer
- 1-C Rubber Tip w/Washer
- 2 Spur Bracket Complete
- 2-A Mounting Screws, Nut & Washer



730M Bass Drum Spur

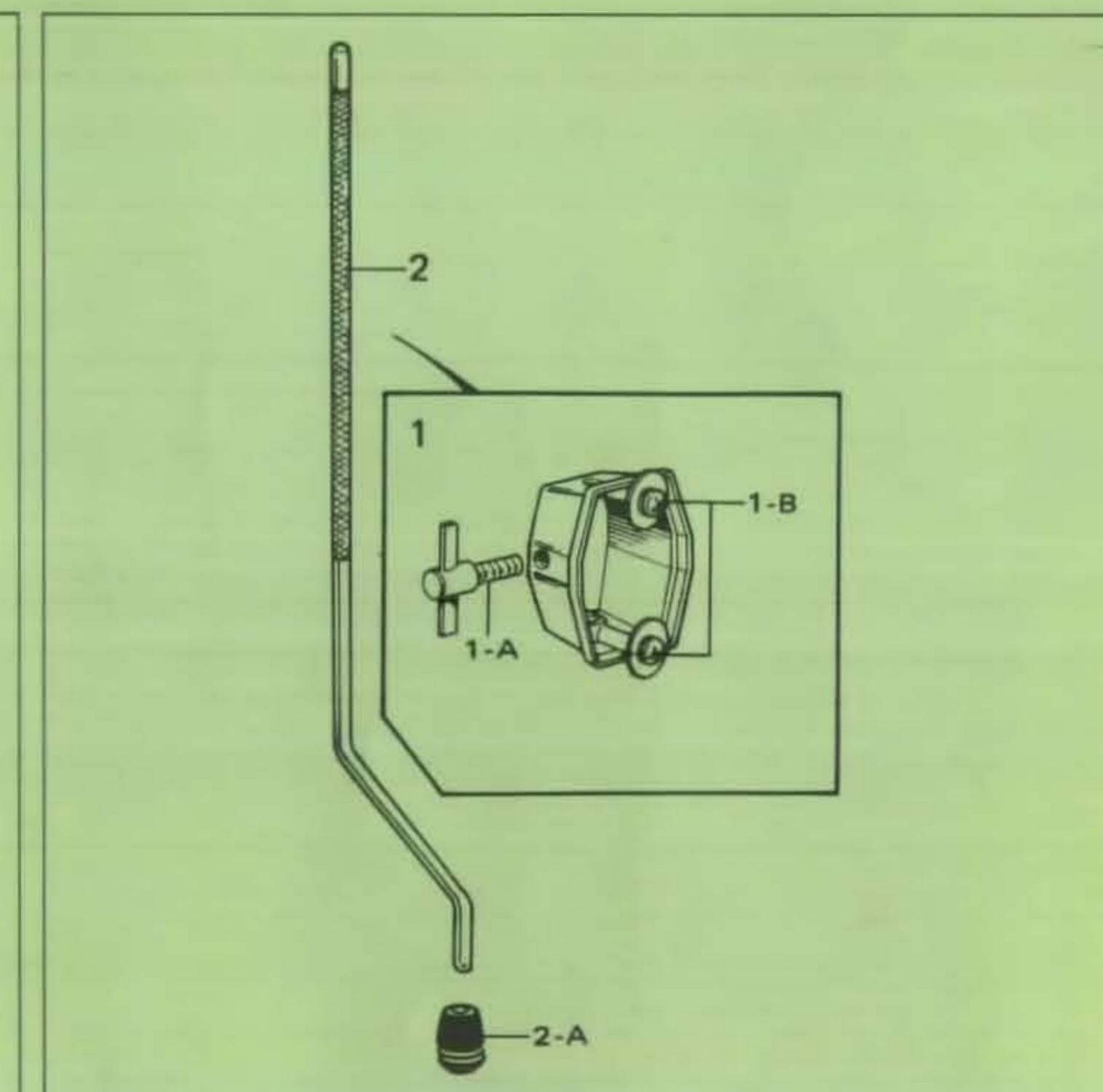
- 1 Spur Assy. Complete
- 1-A Die-Cast Wing Nut Set
- 1-A-1 M-8A Die-Cast Wing Nut w/Washer
- 1-B Key Bolt
- 1-C Lock Nut
- 1-D Rubber Tip
- 2 Spur Bracket Complete
- 2-A Mounting Screws, Nut & Washer

(730M EX)



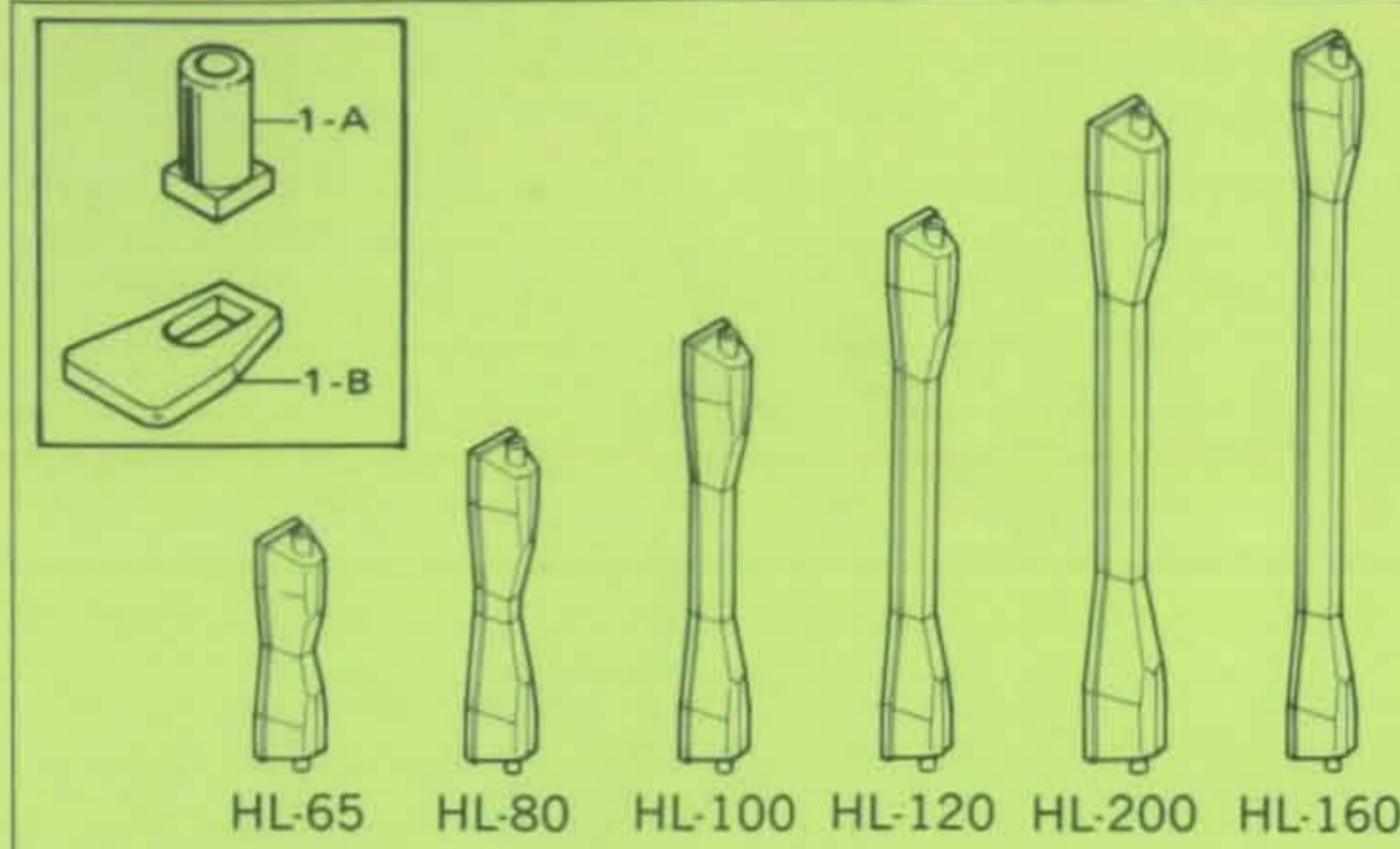
Floor Tom Leg Bracket & Leg

- 1 LB-30 Floor Tom Bracket
- 1-A Die-Cast Wing Nut w/Washer
- 1-B Spring ONLY
- 1-C Mounting Screws, Nut & Washer
- 2 LG-02 Floor Tom Leg w/Stop Lock
- 2-A Rubber Tip
- 2-B Stop Lock



Floor Tom Leg Bracket & Leg

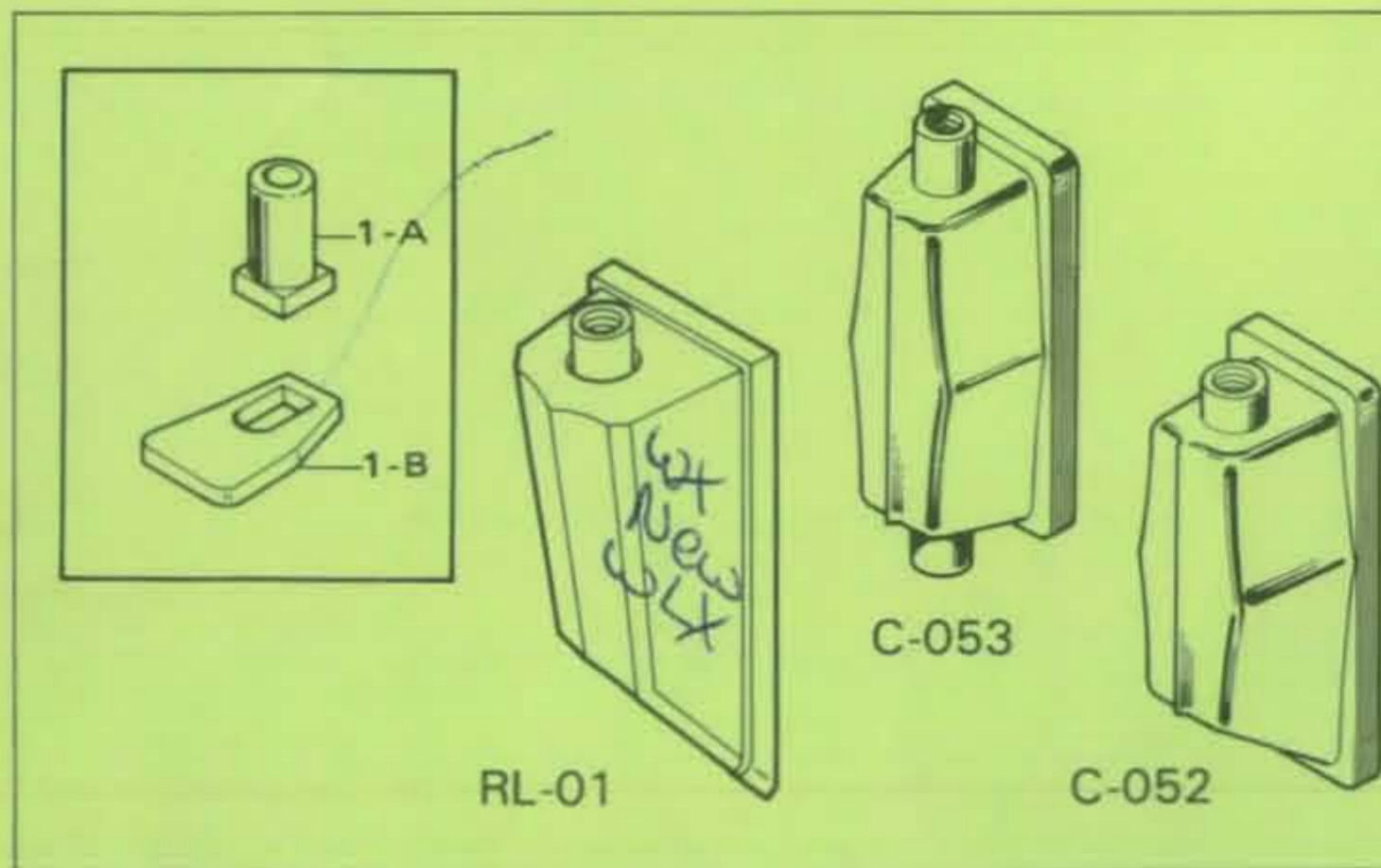
- 1 LB-15 Floor Tom Leg Bracket
- 1-A Handle Bolt
- 1-B Mounting Screws, Nut & Washer
- 2 782 Floor Tom Leg
- 2-A R-5 Rubber Tip



Hi-Tension Lugs

Number	Application (depth of shell)
HL-65	6-1/2" Snare Drums
HL-80	8" & 9" Tom Toms & Snare Drums
HL-100	10" & 11" Tom Toms
HL-120	12" & 13" Tom Toms
HL-140	14" & 15" Tom Toms (not shown)
HL-160	16" & 18" Floor Toms
HL-180	14" Bass Drums (not shown)
HL-200	16" Bass Drums
HL-220	18" Bass Drums (not shown)

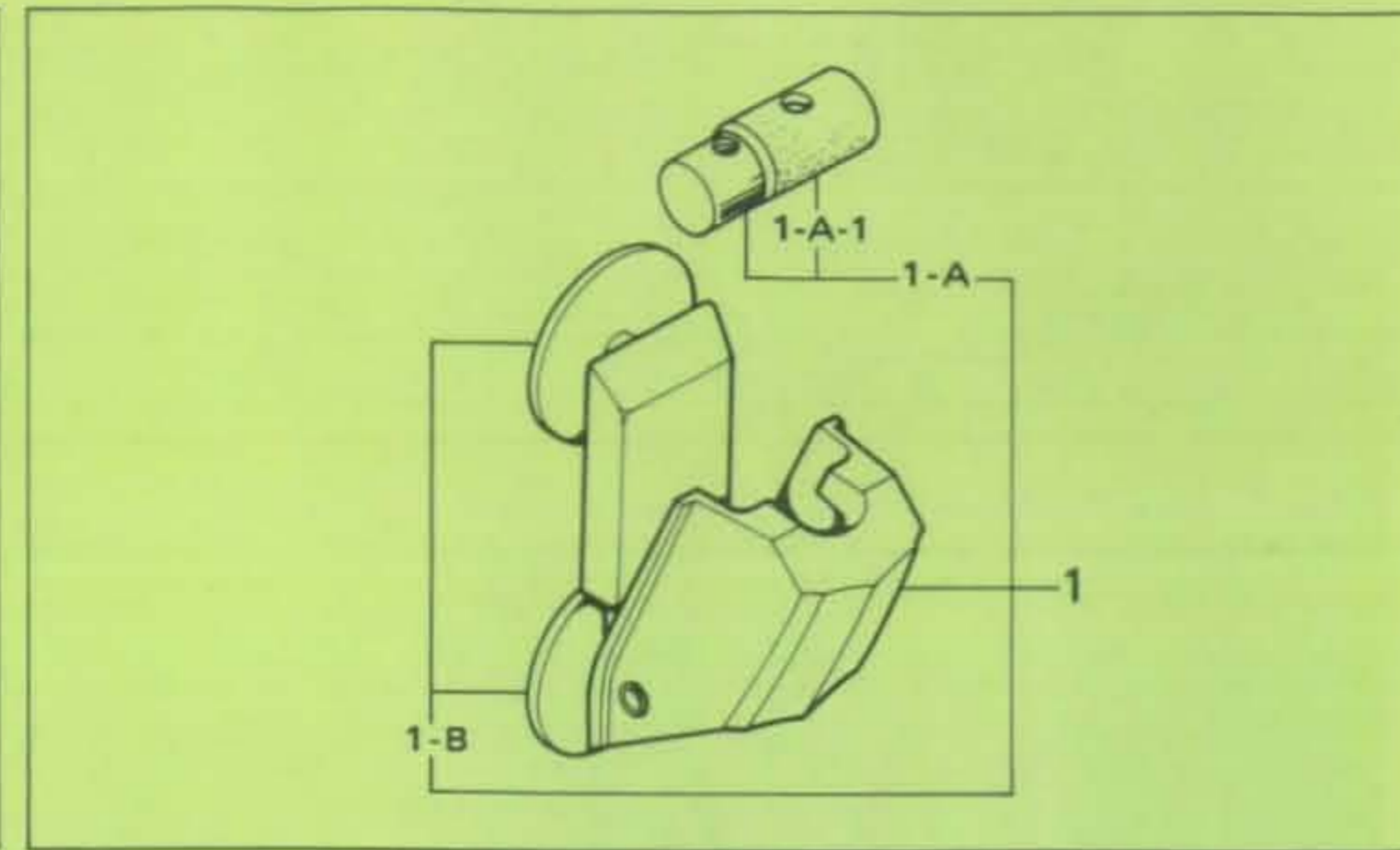
- 1-A S-61 Swivel Nut for GK-65, 80, 100, 120, 160 W 7/32
- S-71 Swivel Nut for HL-200 M6.0m/m
- 1-B ST-01 Plastic Stopper for S-61
- ST-02 Plastic Stopper for S-71
- 1-C Mounting Screws w/Washer (not shown)



Regular Lugs

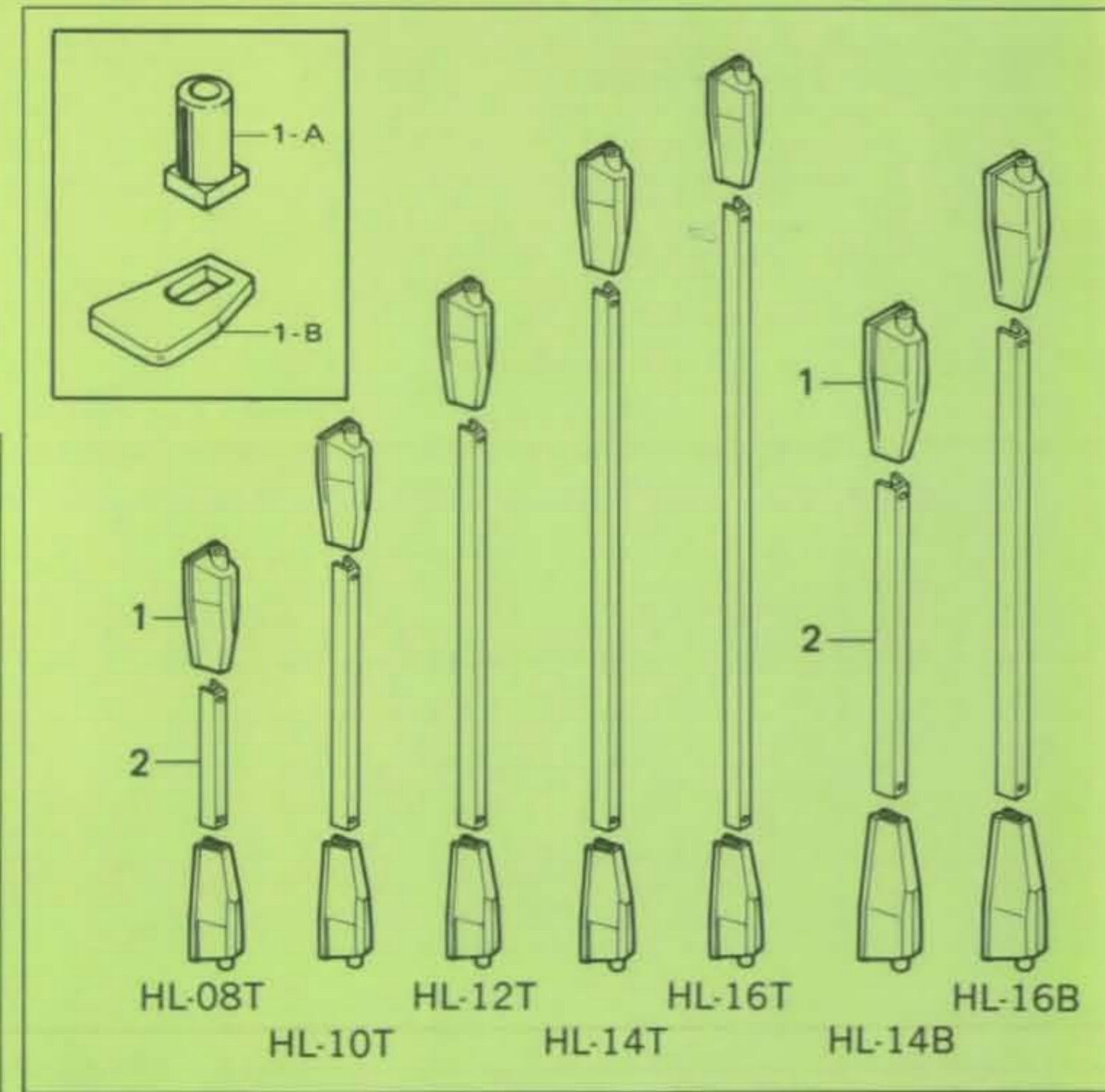
Number	Application
C-052	Toms, 8" x 14" Snare Drums
C-053	5" x 14" Snare Drums, 5-1/2" x 8" Tom Tom
C-054	Bass Drums
C-055	6-1/2" x 14" Snare Drums, 6-1/2" x 10" Tom Tom
RL-01	Tom Toms, Floor Toms
RL-03	Bass Drums

- 1-A S-61 Swivel Nut for C-052, C-053, RL-01 W 7/32
- S-62 Swivel Nut for C-055 W 3/32
- S-71 Swivel Nut for C-054 & RL-03 M6.0 m/m
- 1-B ST-01 Plastic Stopper for S-61 & S-62
- ST-02 Plastic Stopper for S-71
- 1-C Mounting Screws w/Washer (not shown)



Super Gripper Lugs

- 1 SG-01 Super Gripper Lug for Toms & Snare Drums
- SG-02 Super Gripper Lug for Bass Drums
- 1-A S-01 Barrel Nut for SG-01 W 7/32
- S-02 Barrel Nut for SG-02 M6.0 m/m
- 1-A-1 Plastic Sleeve for S-01 & S-02
- 1-B Mounting Screws w/Washer



3 Piece Hi-Tension Lugs

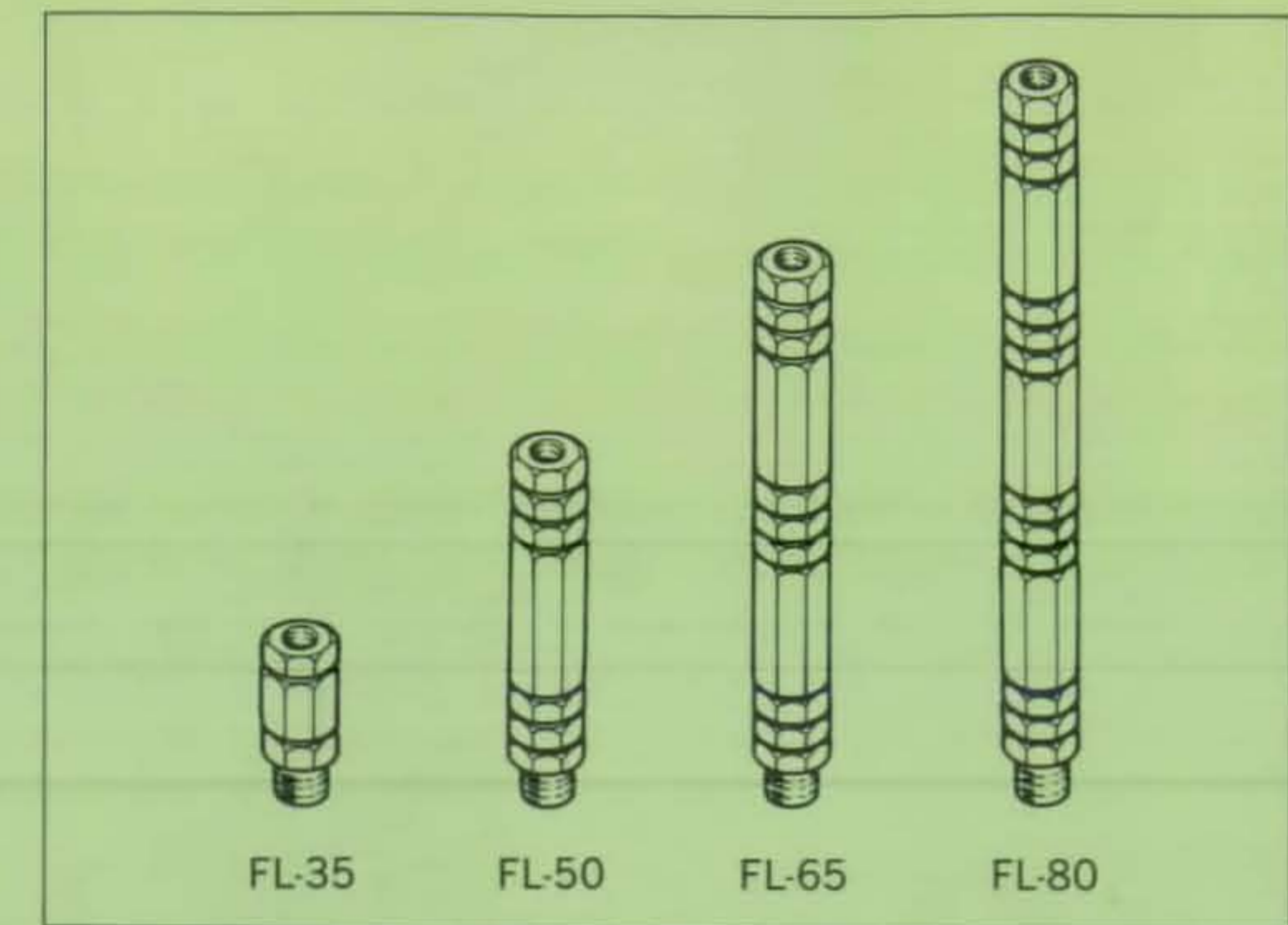
Number	Application (depth of shell)
HL-08T	8" & 9" Tom Toms
HL-10T	10" & 11" Tom Toms
HL-12T	12" & 13" Tom Toms
HL-14T	14" Tom Toms
HL-16T	16" Floor Toms
HL-14B	14" Bass Drums
HL-16B	16" Bass Drums

- 1 Lug ONLY
- HL-08T - HL-16T (Small) / HL-14B & HL-16B (Large)
- 1-A S-61 Swivel Nut for HL-08T, HL-10T, HL-12T, HL-14T, HL-16T W 7/32
- S-71 Swivel Nut for HL-14B, HL-16B M6.0 m/m
- 1-B ST-01 Plastic Stopper for S-61
- ST-02 Plastic Stopper for S-71
- 1-C Mounting Screws w/Washer (not shown)
- 2 Lug Joint ONLY

Tension Key Rods (w/Washer)

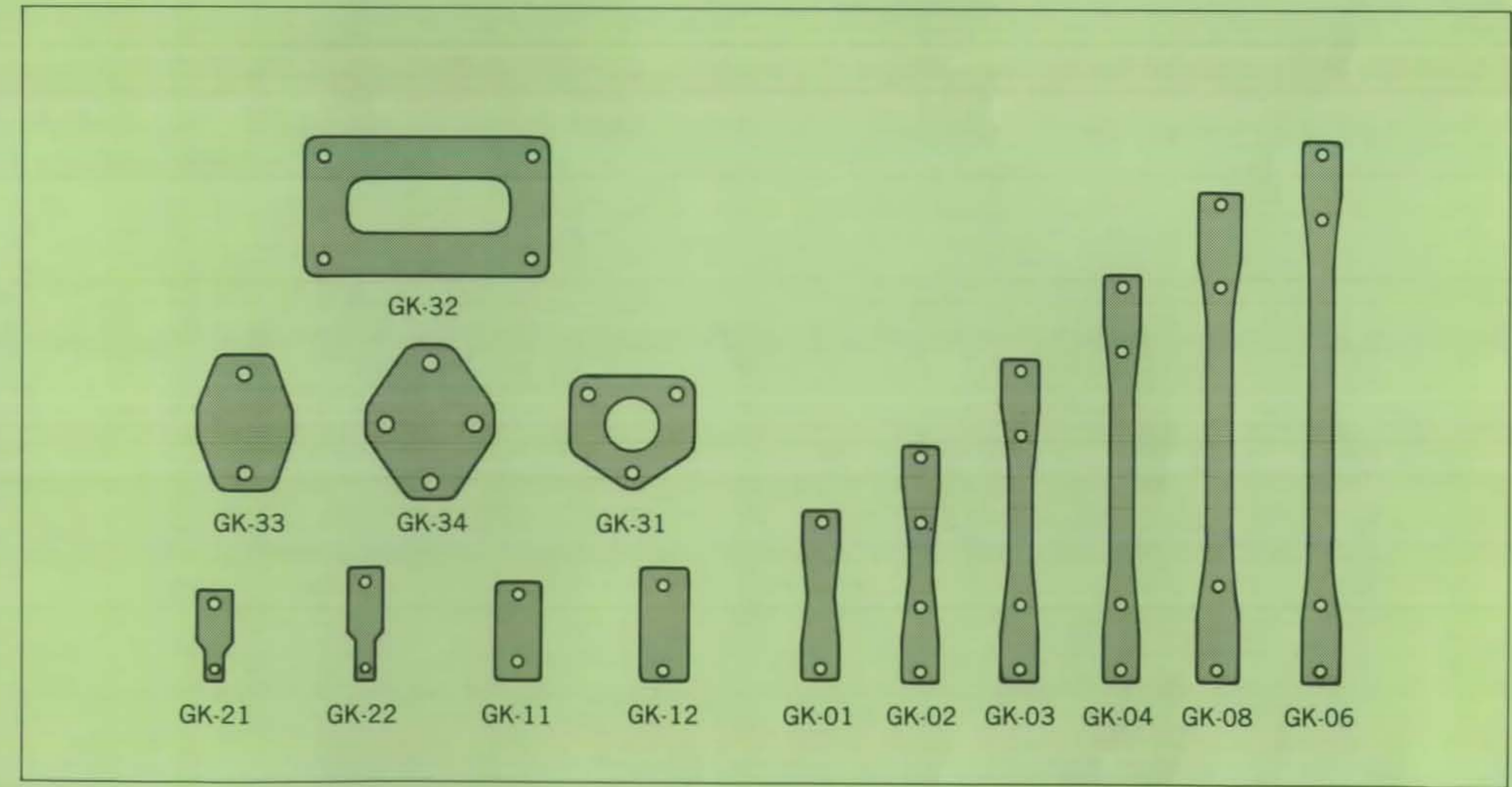
for Hi-tension Lugs & 3 Piece Hi-tension Lugs

Number	Description	Application
T-061	W 7/32 x 42m/m	HL-80 (8" Depth) HL-100 (10" Depth) HL-120 (12" Depth) HL-140 (14" Depth) HL-08T (8" Depth) HL-10T (10" Depth) HL-12T (12" Depth)
T-062	W 7/32 x 52m/m	HL-80 (9" Depth) HL-100 (11" Depth) HL-120 (13" Depth) HL-140 (15" Depth) HL-160 (16" Depth) HL-10T (11" Depth) HL-16T (16" Depth)
T-064	W 7/32 x 75m/m	HL-160 (18" Depth)
T-066	M6.0 x 110m/m	HL-180 (14" Depth) HL-200 (16" Depth) HL-220 (18" Depth) HL-16B (16" Depth)



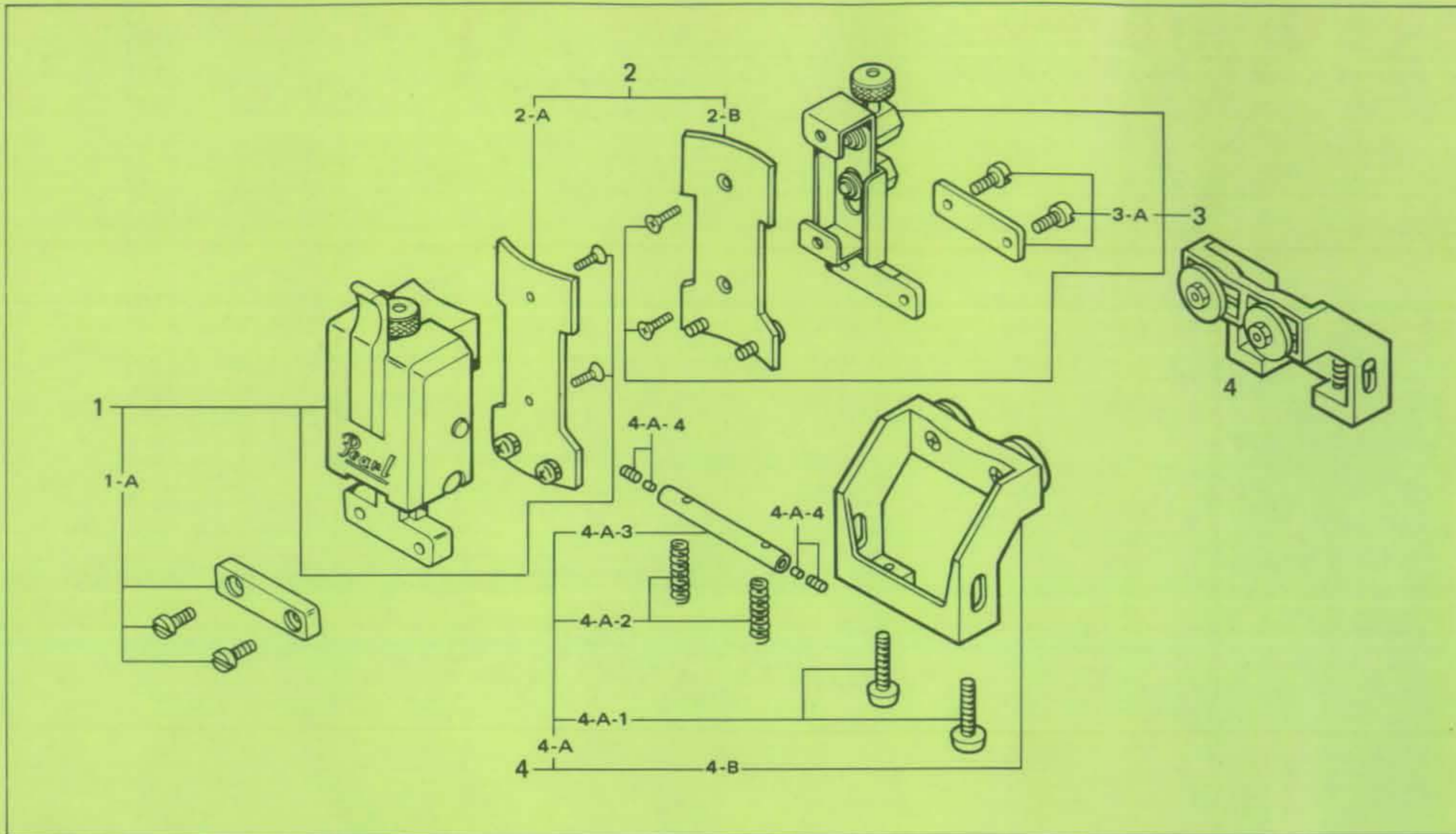
Lug Posts for Free Floating System Snare Drums

- FL-35 Lug Post for 3-1/2" (Piccolo) Snare Drum
- FL-50 Lug Post for 5" Snare Drum
- FL-65 Lug Post for 6-1/2" Snare Drum
- FL-80 Lug Post for 8" Snare Drum



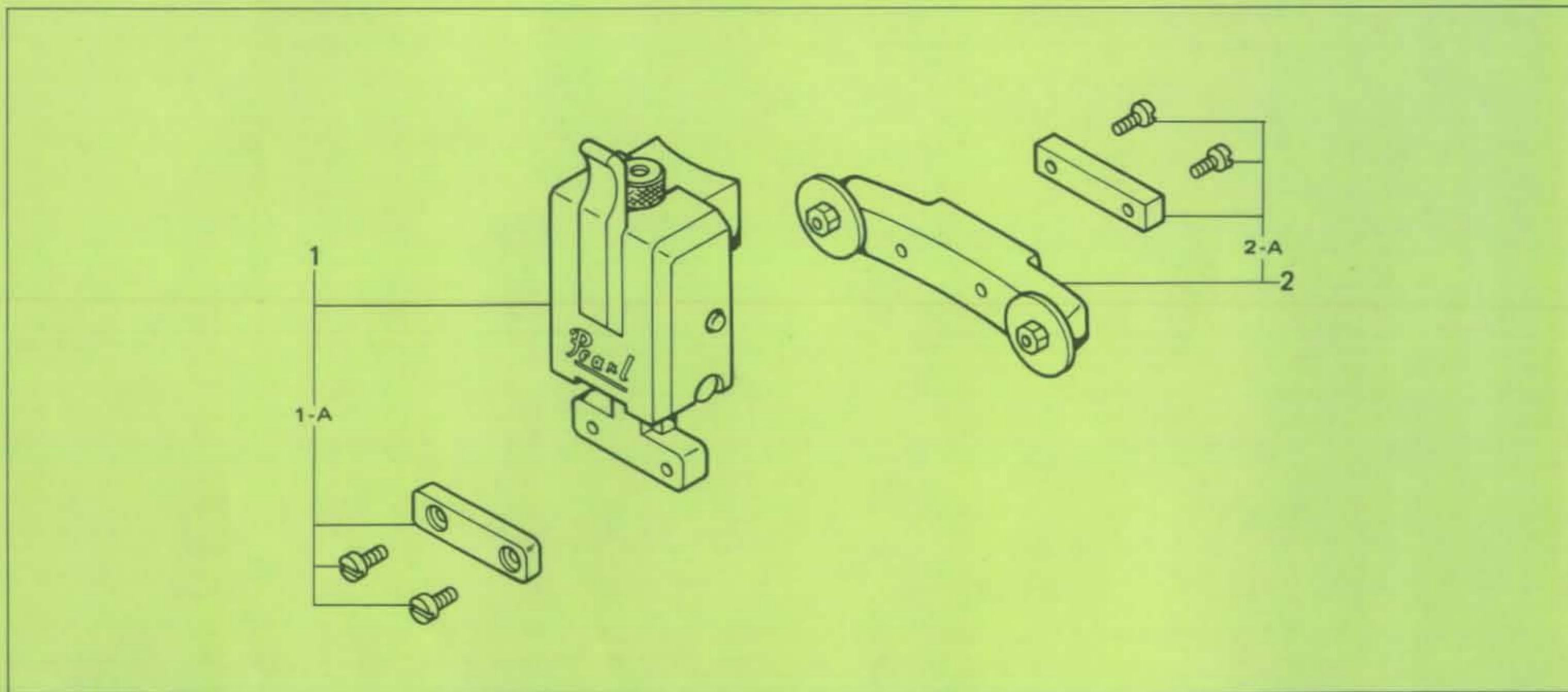
Gaskets

- GK-01 Gasket for HL-65
- GK-02 Gasket for HL-80
- GK-03 Gasket for HL-100
- GK-04 Gasket for HL-120
- GK-05 Gasket for HL-140
- GK-06 Gasket for HL-160
- GK-07 Gasket for HL-180
- GK-08 Gasket for HL-200
- GK-11 Gasket for C-052
- GK-12 Gasket for C-054
- GK-21 Gasket for SG-02
- GK-22 Gasket for SG-01
- GK-31 Gasket for BT-2
- GK-32 Gasket for BB-2
- GK-33 Gasket for LB-20
- GK-34 Gasket for 730P
- GK-35 Gasket for LB-30 (not shown)



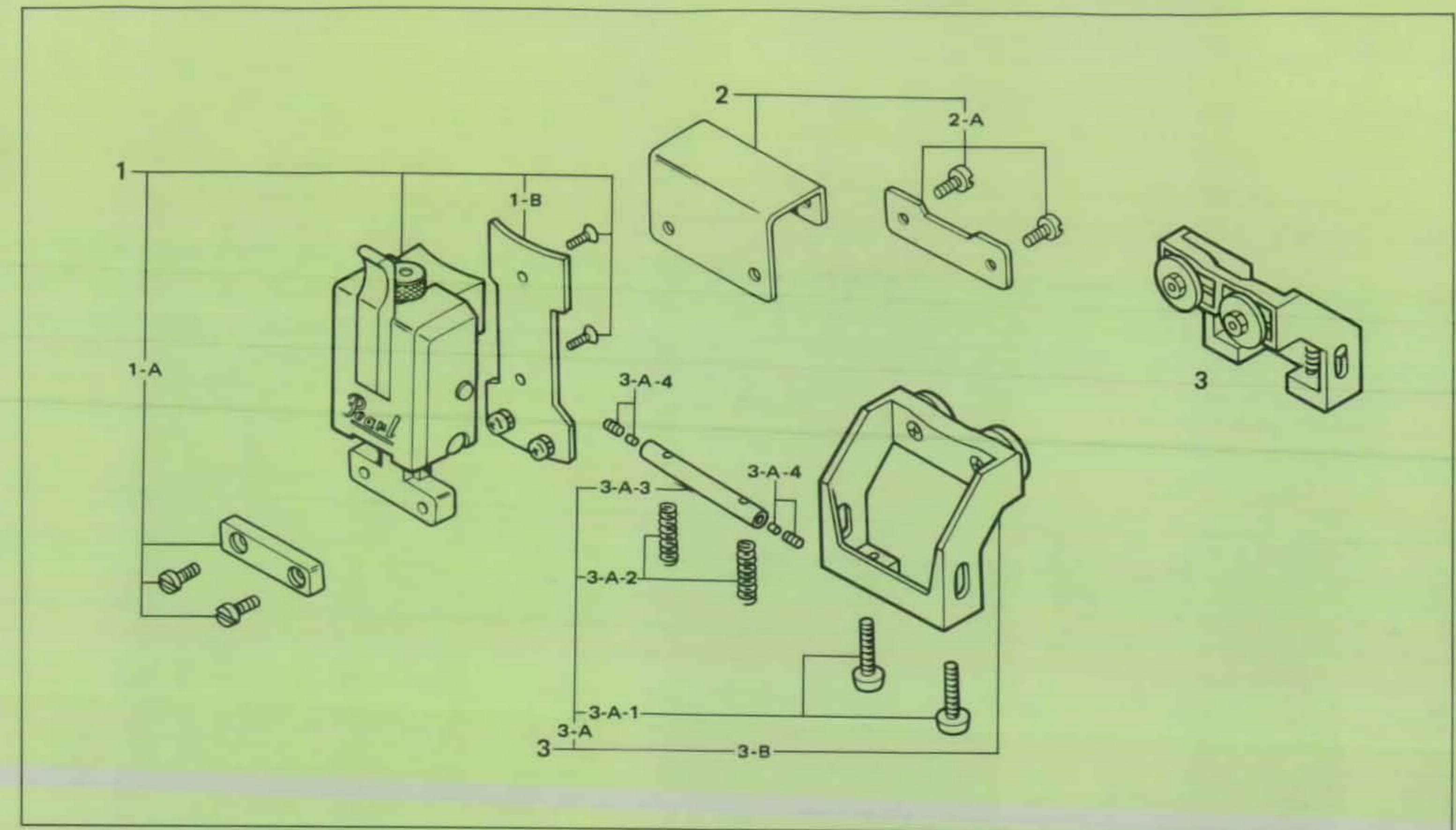
S-011 Snare Strainer

- | | | | |
|-----|---|-------|---|
| 1 | Release Side Assy. Complete | 4-A | Strap Assy. Complete |
| 1-A | Snare Mount Plate w/Screws | 4-A-1 | Screws ONLY |
| 2 | Setting Plate Set For FFS Snare ONLY | 4-A-2 | Springs ONLY |
| 2-A | Setting Plate Release Side For FFS Snare ONLY | 4-A-3 | Snare Bar ONLY |
| 2-B | Setting Plate Butt Side For FFS Snare ONLY | 4-A-4 | Allen Screw w/Felt |
| 3 | Butt Side Assy. Complete | 4-B | Bridge Frame w/Screws & Washers |
| 3-A | Snare Mount Plate w/Screws | 5 | S-025 Hi-Carbonated Steel Wire Snare w/Plastic Straps (not shown) |
| 4 | Bridge Assy. Complete | | S-025S Stainless Steel Wire Snare w/Plastic Straps |



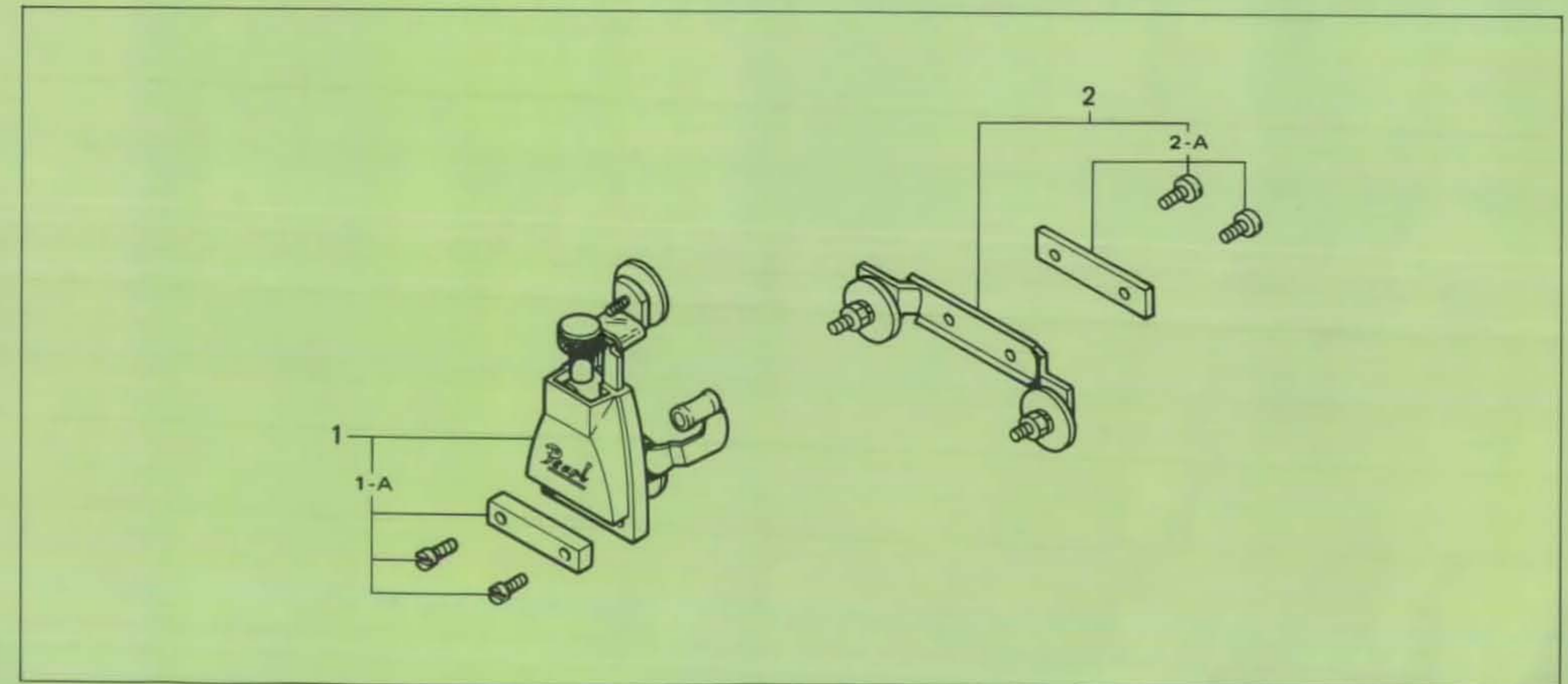
S-011W Snare Strainer

- | | | | |
|-----|-----------------------------|---|---|
| 1 | Release Side Assy. Complete | 3 | S-022 Hi-Carbonated Steel Wire Snare w/Plastic Straps (not shown) |
| 1-A | Snare Mount Plate w/Screws | | S-022S Stainless Steel Wire Snare w/Plastic Straps |
| 2 | Butt Side Assy. Complete | | |
| 2-A | Snare Mount Plate w/Screws | | |



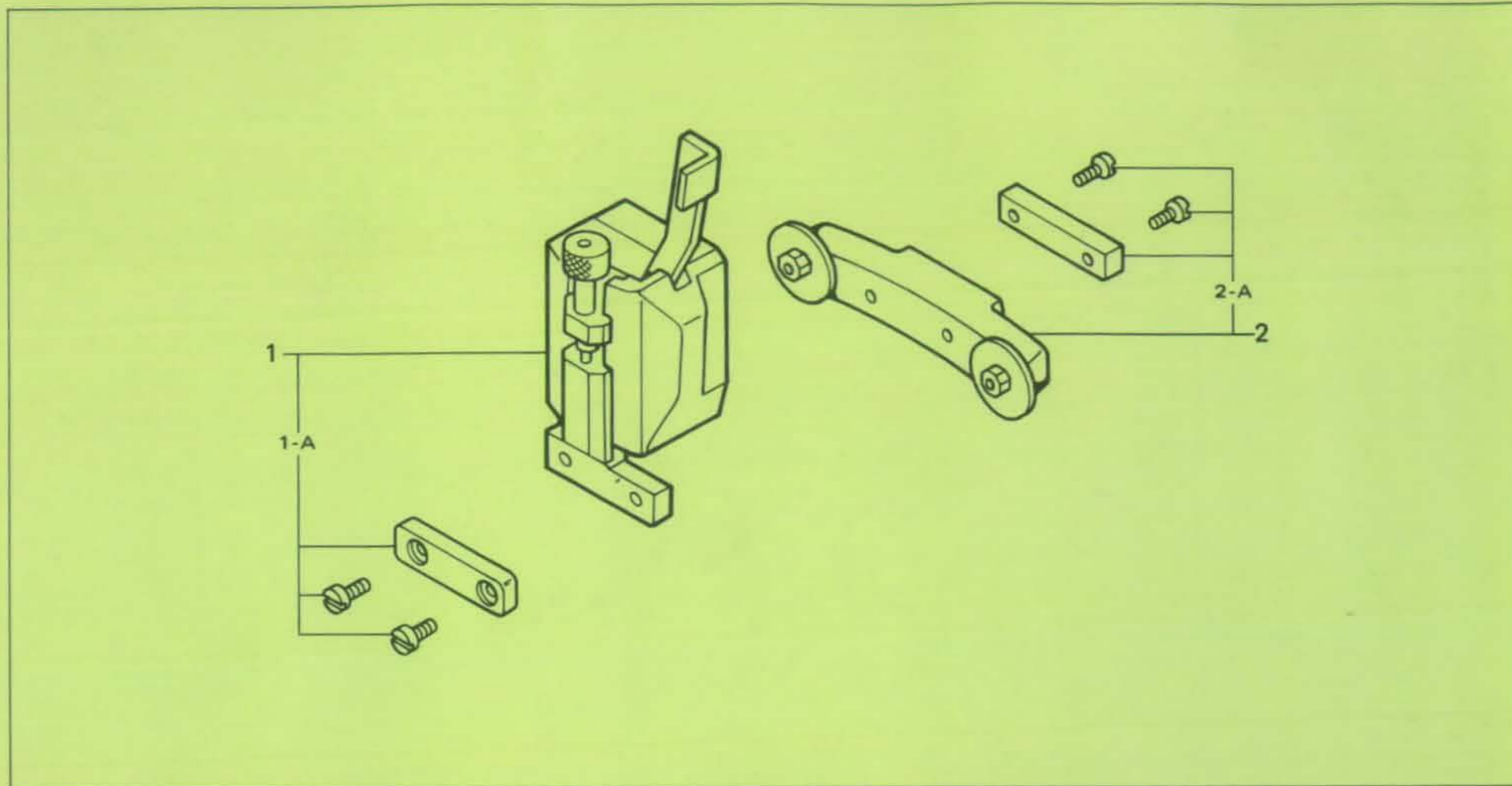
S-011E Snare Strainer

- | | | | |
|-----|---------------------------------------|-------|---|
| 1 | Release Side Assy. Complete | 3-A-1 | Screws ONLY |
| 1-A | Snare Mount Plate w/Screws | 3-A-2 | Springs ONLY |
| 1-B | Release Side Plate for FFS Snare ONLY | 3-A-3 | Allen Screw w/Felt |
| 2 | Butt Side Assy. Complete | 3-A-4 | SB-45F |
| 2-A | Snare Mount Plate w/Screws | 4 | S-025 Hi-Carbonated Steel Wire Snare w/Plastic Straps (not shown) |
| 3 | Bridge Assy. Complete | | S-025S Stainless Steel Wire Snare w/Plastic Straps |
| 3-A | Strap Bar Assy. Complete | | |



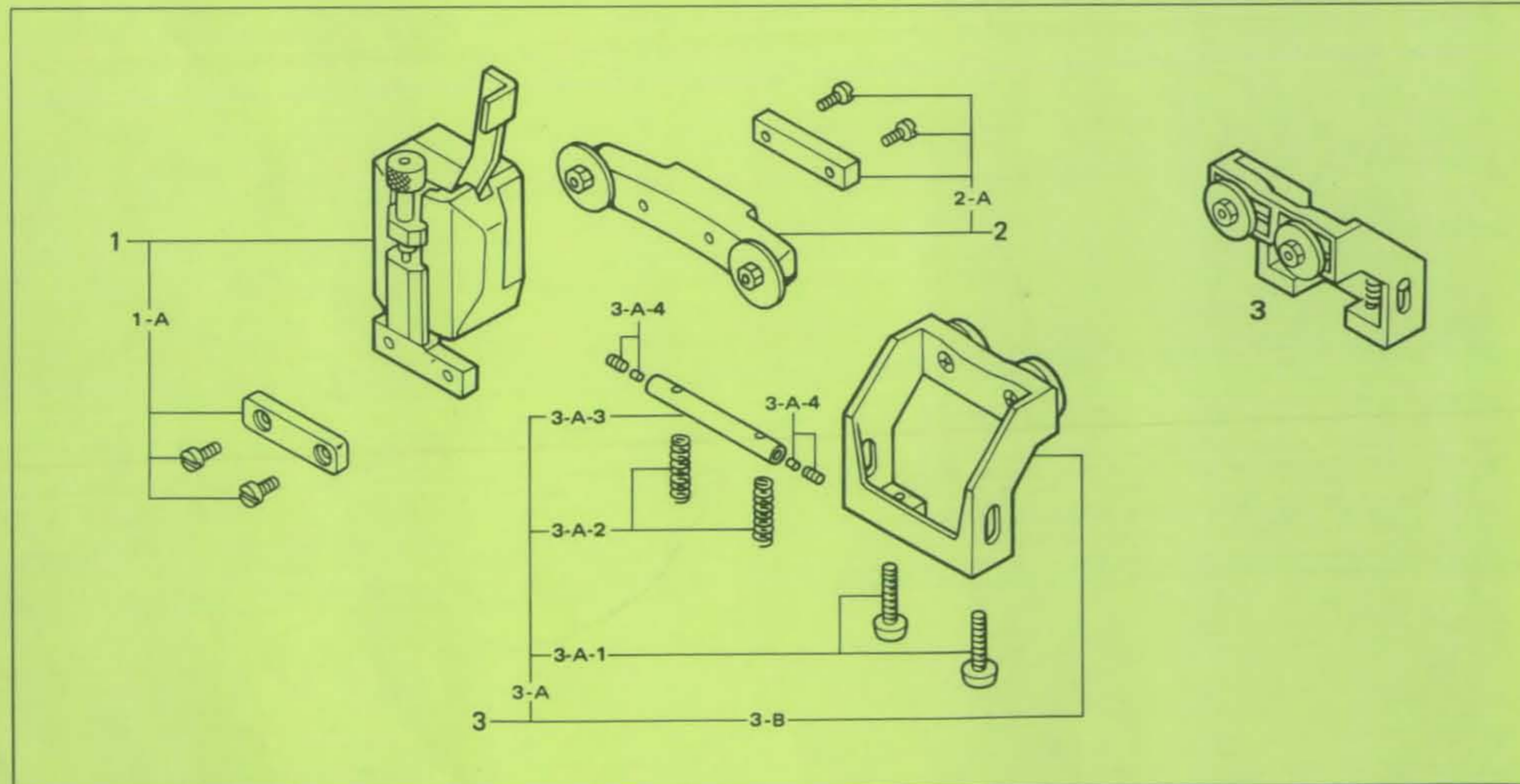
S-014N Snare Strainer

- | | | | |
|-----|-----------------------------|---|---|
| 1 | Release Side Assy. Complete | 3 | S-022 Hi-Carbonated Steel Wire Snare w/Plastic Straps (not shown) |
| 1-A | Snare Mount Plate w/Screws | | S-022S Stainless Steel Wire Snare w/Plastic Straps |
| 2 | Butt Side Assy. Complete | | |
| 2-A | Snare Mount Plate w/Screws | | |



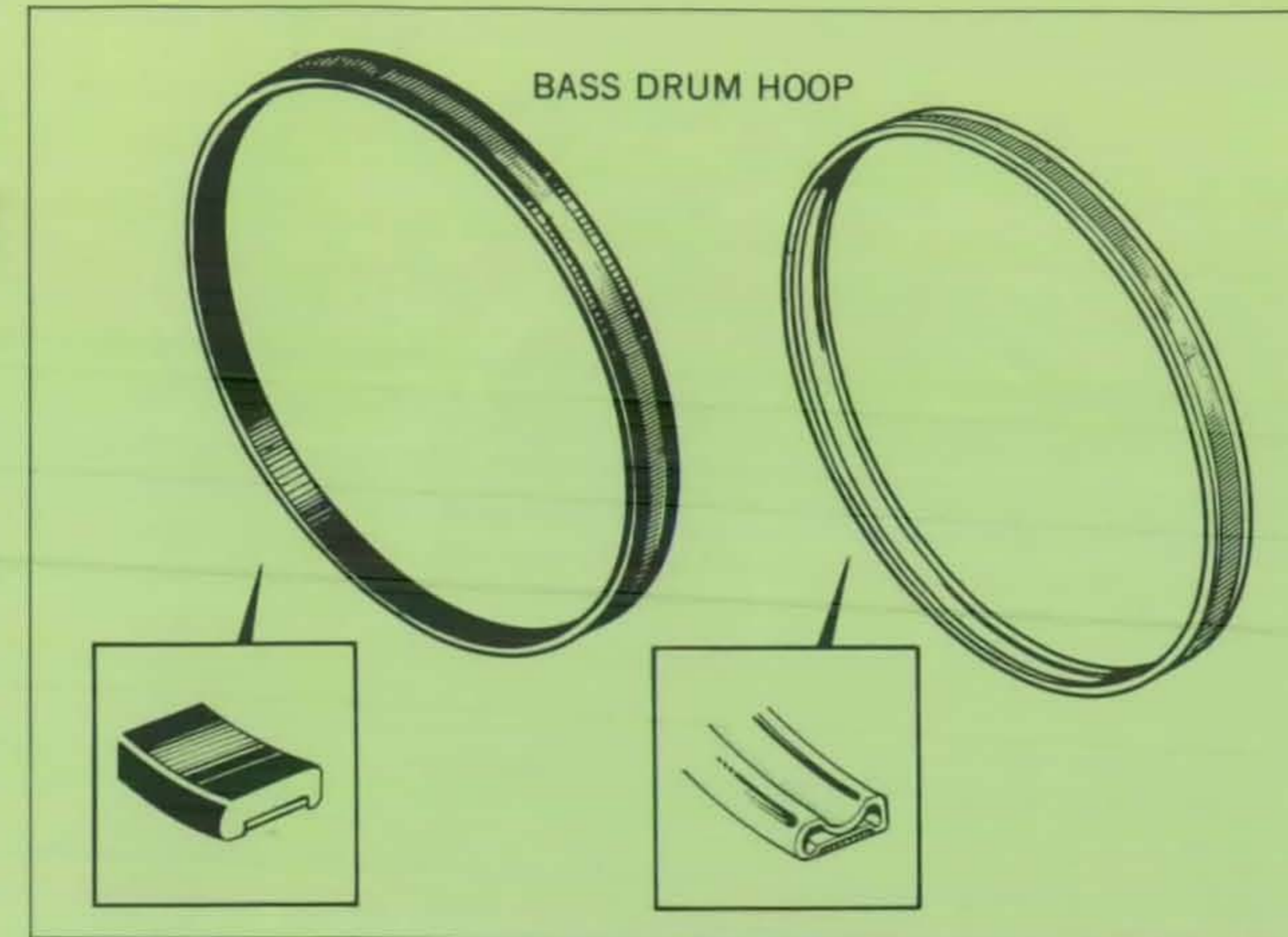
S-012 Snare Strainer

- | | | | |
|-----|-----------------------------|--------|---|
| 1 | Release Side Assy. Complete | 3 | S-022 Hi-Carbonated Steel Wire Snare w/Plastic Straps (not shown) |
| 1-A | Snare Mount Plate w/Screws | S-022S | Stainless Steel Wire Snare w/Plastic Straps |
| 2 | Butt Side Assy. Complete | | |
| 2-A | Snare Mount Plate w/Screws | | |

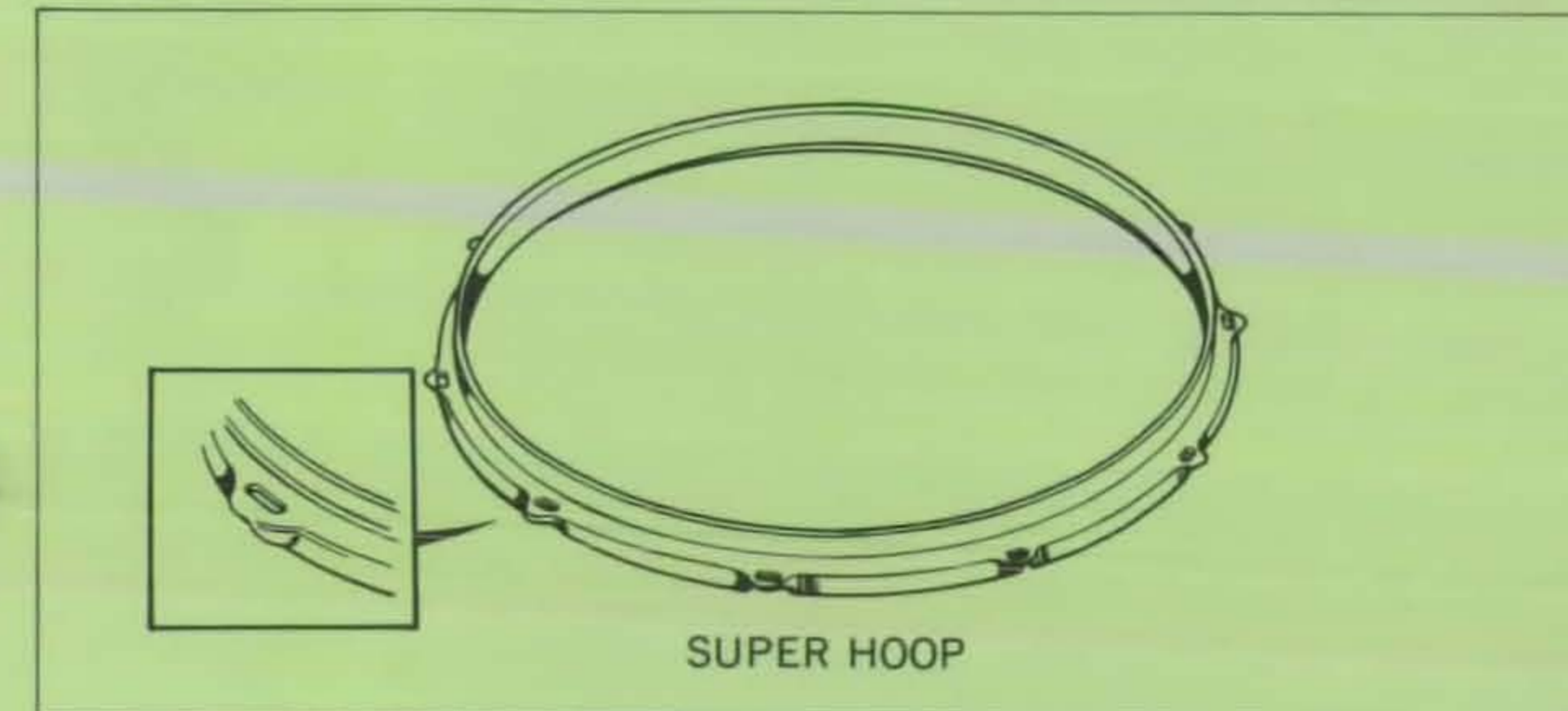


S-013 Snare Strainer

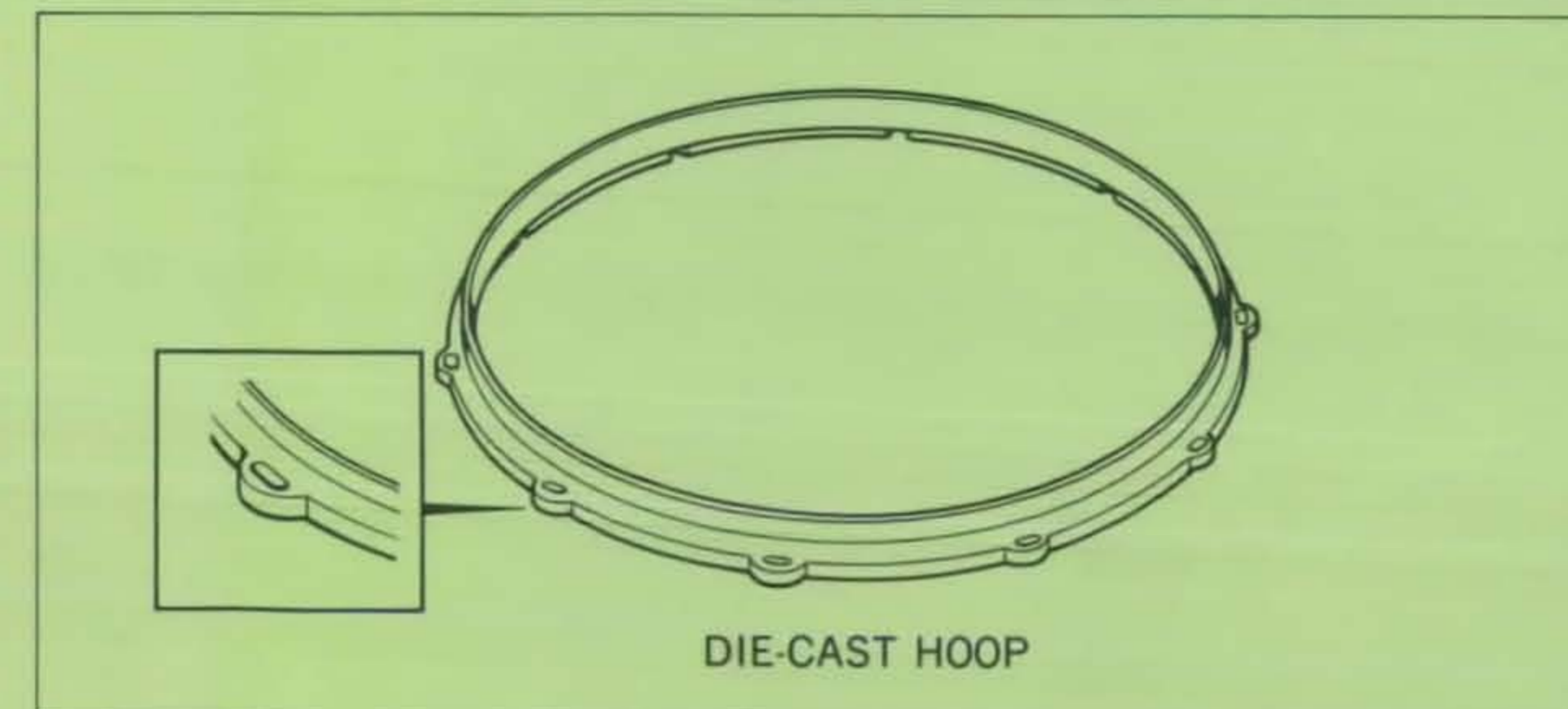
- | | | | |
|-------|-----------------------------|--------|---|
| 1 | Release Side Assy. Complete | 3-A-2 | Springs ONLY |
| 1-A | Snare Mount Plate w/Screws | 3-A-3 | Snare Bar ONLY |
| 2 | Butt Side Assy. Complete | 3-A-4 | Allen Screw w/Felt |
| 2-A | Snare Mount Plate w/Screws | 3-B | Bridge Frame w/Screws & Washers |
| 3 | Bridge Assy. Complete | 4 | S-025 Hi-Carbonated Steel Wire Snare w/Plastic Straps (not shown) |
| 3-A | Strap Assy. Complete | S-025S | Stainless Steel Wire Snare w/Plastic Straps |
| 3-A-1 | Screws ONLY | | |



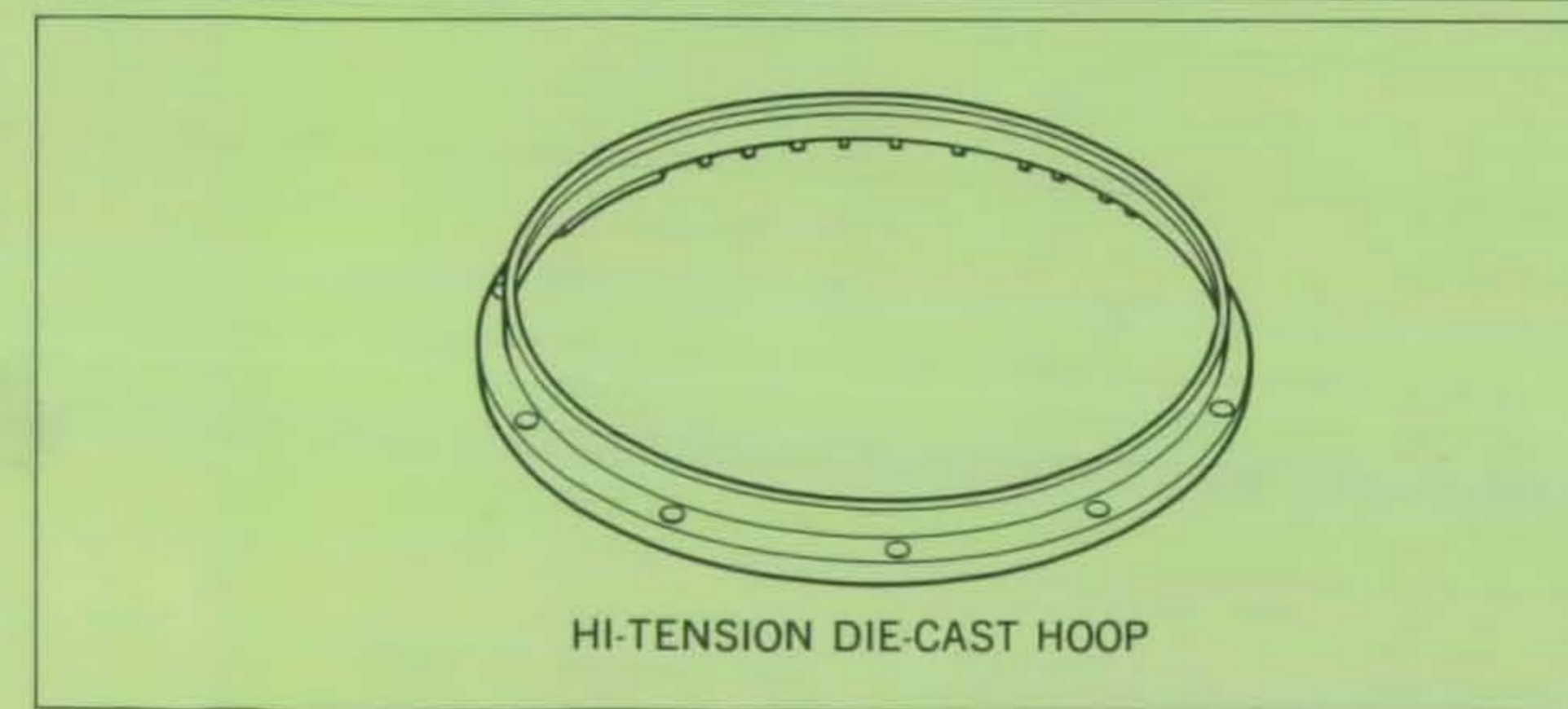
BASS DRUM HOOP



SUPER HOOP



DIE-CAST HOOP



HI-TENSION DIE-CAST HOOP

Bass Drum Hoops

Number	Dia.	Description	Number	Dia.	Description
WOOD HOOPS			METAL HOOPS		
RIM-18W	18"	w-out/Inlay	RIM-18R	18"	w/Inlay
RIM-18WI	18"	w/Inlay	RIM-20R	20"	w/Inlay
RIM-20W	20"	w-out/Inlay	RIM-22R	22"	w/Inlay
RIM-20WI	20"	w/Inlay	RIM-24R	24"	w/Inlay
RIM-22W	22"	w-out/Inlay	RIM-26R	26"	w/Inlay
RIM-22WI	22"	w/Inlay			
RIM-24W	24"	w-out/Inlay			
RIM-24WI	24"	w/Inlay			

Super Hoops

Number	Dia.	Description
RIM-0604S	6"	4 Rods
RIM-0805S	8"	5 Rods
RIM-1006S	10"	6 Rods
RIM-1206S	12"	6 Rods
RIM-1306S	13"	6 Rods
RIM-1408SB	14"	8 Rods, Batter Side
RIM-1410SB	14"	10 Rods, Batter Side
RIM-1410SS	14"	10 Rods, Snare Side
RIM-1508S	15"	8 Rods
RIM-1608S	16"	8 Rods
RIM-1808S	18"	8 Rods

Regular Hoops

Number	Dia.	Description
RIM-0804	8"	4 Rods
RIM-1006	10"	6 Rods
RIM-1206	12"	6 Rods
RIM-1306	13"	6 Rods
RIM-1406	14"	6 Rods, Batter Side
RIM-1408B	14"	8 Rods, Batter Side
RIM-1408S	14"	8 Rods, Batter Side
RIM-1410B	14"	10 Rods, Batter Side
RIM-1410S	14"	10 Rods, Snare Side
RIM-1508	15"	8 Rods
RIM-1608	16"	8 Rods
RIM-1808	18"	8 Rods

Die-Cast Hoops

Number	Dia.	Description
DC-14T	14"	10 Rods, Batter Side
DC-14B	14"	10 Rods, Snare Side

Hi-Tension Die-Cast Hoops

Number	Dia.	Description
DM-14T	14"	10 Rods, Batter Side
DM-14B	14"	10 Rods, Snare Side