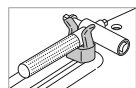


PEARL DRUM PEDAL

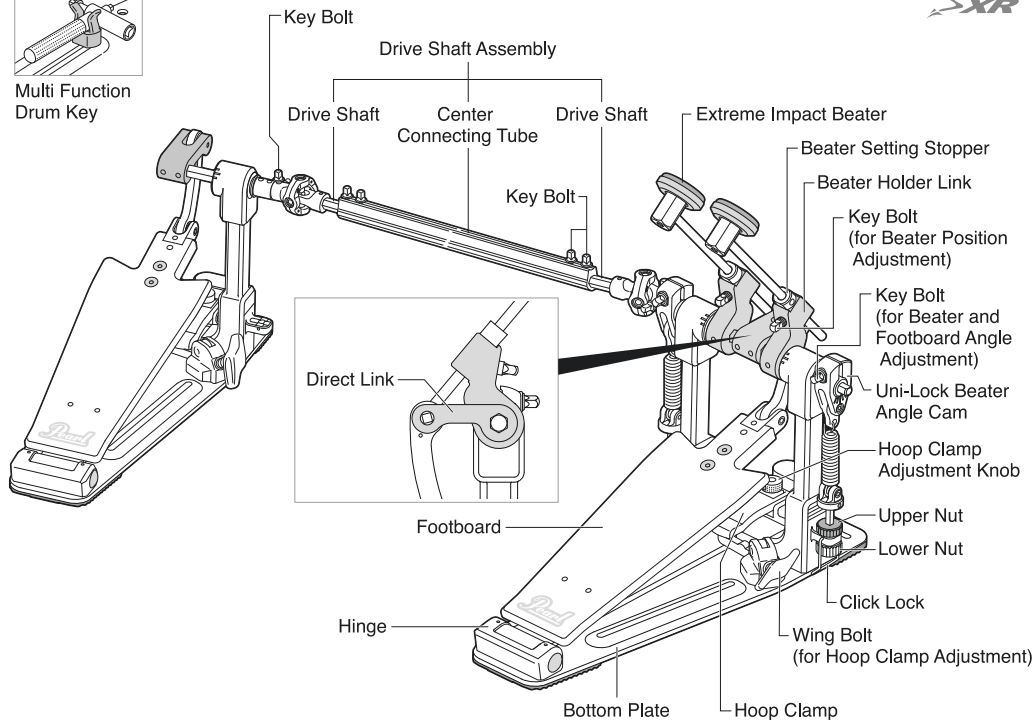
P-3502D

Instruction Manual

Congratulations on your purchase!
For optimum performance, please read this Instruction Manual before playing.



Multi Function Drum Key



Included Items

- NiJIA Oil
- Velcro (x6)
- Hexagonal Wrench (3mm · 2.5mm)
- Key Bolt (x2)
- Spring (x2)

Extreme Impact Beater Setting

Insert the Beater into the Beater Holder Link until it stops against the Beater Setting Stopper, and tighten the Key Bolt with the provided Multi Function Drum Key (Fig.1-A). Make sure that the Beater Setting Stopper is flush against the Beater Holder Link with the flat face square against the Notch (Fig.1-B).

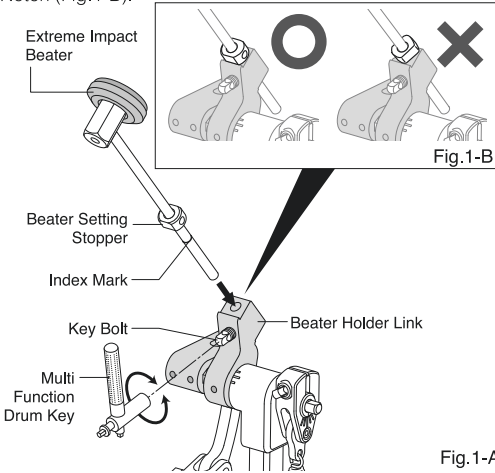


Fig.1-A

Tip:

In the initial factory setting, the Index Mark is centered in the Window as shown (Fig.2)

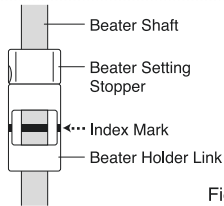


Fig.2

To change to a higher or shorter beater height, loosen the Allen Screw on the Beater Setting Stopper with the provided Multi-Function Drum Key or Allen wrench (3mm) then loosen the Key Bolt on the Beater Holder Link (Fig.3). Set the beater to the desired height and re-tighten the Key Bolt. Reset the Beater Setting Stopper flush against the Beater Holder Link per the instructions above.

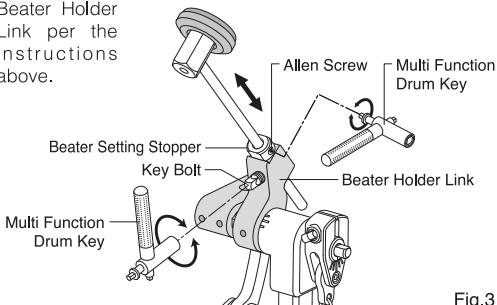


Fig.3

Tip

The Beater Setting Stopper preserves the height setting if the beater is removed when transporting the pedal.

Beater / Footboard Angle Adjustment

The Beater and Footboard Angle are interconnected with all adjustments in tandem. Moving the Beater closer to the drum head simultaneously lowers the Footboard and vice-versa. To adjust this setting, loosen the Key Bolt of the Unilock Beater Angle Cam, move the Beater and Footboard to your desired position and tighten the Key Bolt to secure. Use the guide marks located on the Accelerator Sleeve and Unilock Beater Angle Cam to reference the change made (Fig.4).

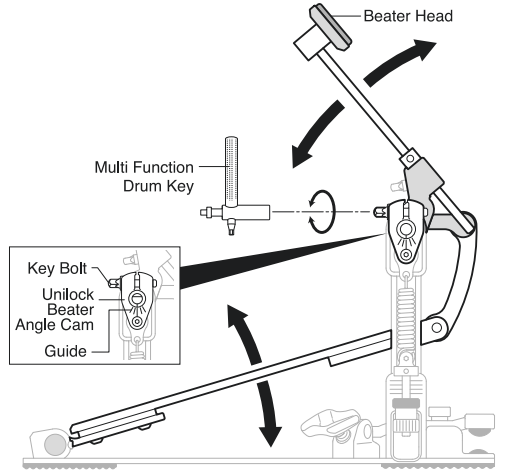


Fig.4

Tip:

- The Accelerator Sleeve and Unilock Beater Angle Cam feature guide marks to reference all changes made. To return to the factory default setting, set the centerline/mark of the Unilock Beater Cam to the line/mark of the Accelerator Sleeve (Fig.5).

- For optimum results, once the Beater/Footboard angle is set, always check and adjust the Spring tension as needed. (see Spring Tension Adjustment)

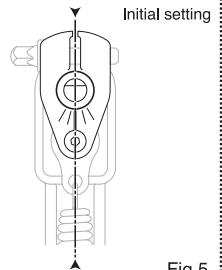


Fig.5

Connecting the Drive Shaft Assembly

Connect the ends of the Drive Shaft (A) to the short extensions (B) on the Main and Secondary Side Pedals and tighten Key Bolt 1 and then Key Bolt 2 (Fig.6 ,7).

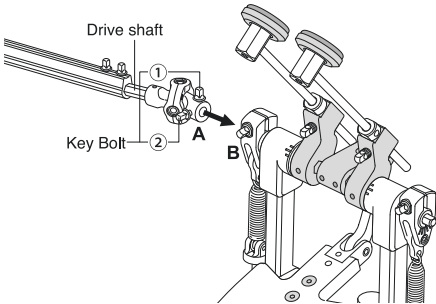


Fig. 6

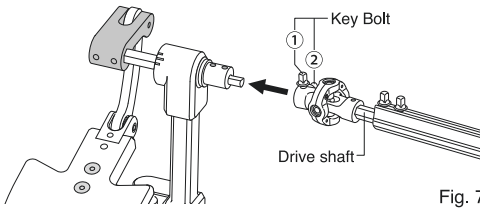


Fig. 7

Loosen the Key Bolts on the Center Connecting Tube of the Drive Shaft Assembly and adjust the distance between the Main Pedal and the Secondary Side Pedal to your liking. Re-tighten the Key Bolts (Fig.8-A).

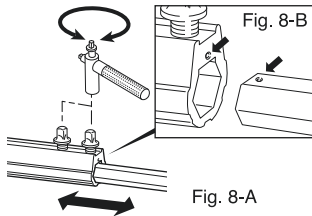


Fig. 8-A

Tip:

If the Drive Shafts are extended too far, they will separate from the Center Connecting Tube. Reassemble them with the dots aligned as shown in Fig.8-B.

Spring Tension Adjustment

The P-3502D Demon Double Pedal features our patented Click Lock spring tension retention system. To increase the spring tension, disable the Click Lock by lifting the lever upward, loosen the Upper Nut and tighten the Lower Nut until the desired tension is achieved (Fig.9-A). To decrease spring tension, disable the Click Lock by lifting the lever upward, loosen the Upper Nut and loosen the Lower Nut until the desired tension is achieved. Once the setting is firm, tighten the Upper Nut to keep the spring tension from loosening, then press the Click Lock lever down to engage the grooves around the Lower Nut until you feel the lever "Click" (Fig.9-B). Before playing, make sure that both Upper and Lower Nuts are tight, and the Click Lock lever is in a vertical position with both sides of the lever engaged in the grooves around the Lower Nut.

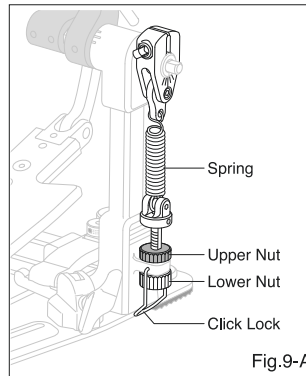


Fig.9-A

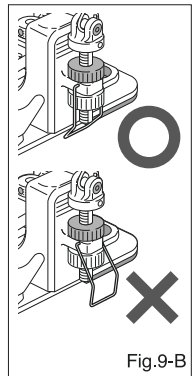


Fig.9-B

Standard and Extreme Spring Removal and Installation

The P-3502D Demon Double Pedal includes both Standard springs for general applications and Extreme springs for a faster rebound. The Extreme spring is factory installed as the default choice. These are easily interchanged for optimum feel.

Spring Removal

First disable the Click Lock by lifting the lever upward, loosen the Upper Nut and remove the Lower Nut from the Adjustment Bolt. Next, remove the Adjustment Bolt from the Pedal Post and disconnect the Spring from the Unlock Beater Angle Cam by gently twisting and pulling the Open Spring End over the Floating Spring Pendulum to separate. Using the included Multi Function Drum Key, loosen the 3mm Bolt to remove the Spring and Spring Collar from the Adjustment Bolt Fork (Fig.10).

Spring Installation

First locate the Flat Side of the Adjustment bolt and position it to the right while placing the Adjustment Bolt on a table.

If installing the Extreme spring using either end of the Spring, place the Spring Collar into the center of the Open Spring End and place it into the Fork Top of the Adjustment Bolt with the Gap of the Open Spring End facing upward. If installing the Standard Spring, place the Spring Collar into the center of the large Open Spring End and place it into the Fork Top of the Adjustment Bolt with the Closed-End of the Open Spring End facing upward.

This will position the Gap of the Spring top to the left and the 3mm Bolt receptacle to the right as shown in (Fig.10). Install the 3mm Bolt and hand tighten; then, secure it tightly into place using the Multi Function Drum Key. To install the Spring on the Floating Spring Pendulum, place the Pedal on its side on a sturdy flat surface with the Pendulum facing up. Next, gently push and twist the Open Spring End downward onto the Floating Spring Pendulum, so the Gap of the Open Spring End is facing the Pedal Post. Insert the Adjustment Bolt into the Pedal Post with the Flat Side facing outward. Install the Lower Nut and adjust the Spring tension. (Refer to Spring Tension Adjustment)

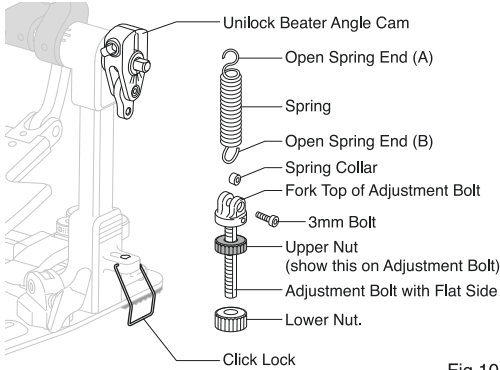


Fig.10

Tip:

- If using two pedals for double bass setups, always use matching springs for best results.
- To identify each Spring, check the shape of the Spring Coil End. The Standard Spring is tapered, and the Extreme Spring is not (Fig.11).

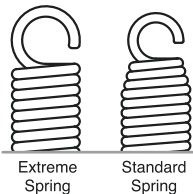


Fig.11

Caution:

- Do NOT overtighten the the 3mm Bolt.
- When placing the Pedal on its side, use care not to scratch tabletop or floor surfaces. It is strongly recommended to always place the Pedal on padded or carpet surfaces.
- Check to ensure all adjustment points are tight and secure before use.
- Always store the Spring not in use in a safe, secure place.

Hoop Clamp System

The P-3502D Hoop Clamp System is designed with Spherical Rubber Grips, allowing the bass drum's front to be raised while keeping the pedal flush on the floor.

Insert the bass drum hoop into the clamp, and turn the Wing Bolt to secure. The clamp comes preset from the factory to accommodate most bass drum hoops, but it can be adjusted to fit thicker or thinner hoops if necessary.

To adjust the hoop fit, loosen the Allen Screw on the Adjustment Knob with the provided Allen wrench (2.5mm) and tighten or loosen the Adjustment Knob until the proper fit is achieved, then re-tighten the Allen Screw. If the heel plate of the pedal lifts while playing, try loosening the Adjustment Knob to change the angle of the Hoop Clamp until the pedal remains flat (Fig.12).

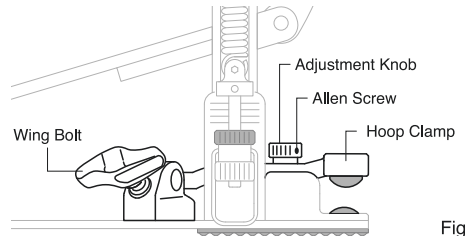


Fig.12

Tip:

- The clamp system features Wing bolts installed from the factory. To avoid interference in multi-pedal configurations or with snare stand feet, exchange these with the included Key Bolts.
- Please stow the extra Key/Wing Bolts currently not in use inside the storage pocket of the pedal case. Be sure not to lose them.

Velcro Strips for Slip Prevention

Velcro Strips are provided with P-3502D Double Pedals to help prevent slipping when used on carpeted floors. To apply, peel off the backing on the Velcro Strips and apply them in the locations shown. Clean the surfaces thoroughly with alcohol and dry completely for best adhesion (Fig.13).

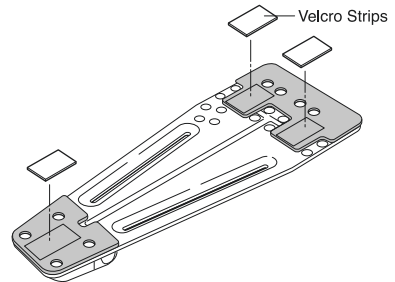


Fig.13

NiNjA Oil (OL-300)

The P-3502D Pedal features precision NiNjA bearings for incredible speed and smoothness. To keep them function-ing at their maximum speed and performance it's recommended that you apply genuine NiNjA Oil at regular intervals. NiNjA Oil is also ideal for use on Footboard and Direct Link bearing to maintain "like-new" performance (Fig.14).

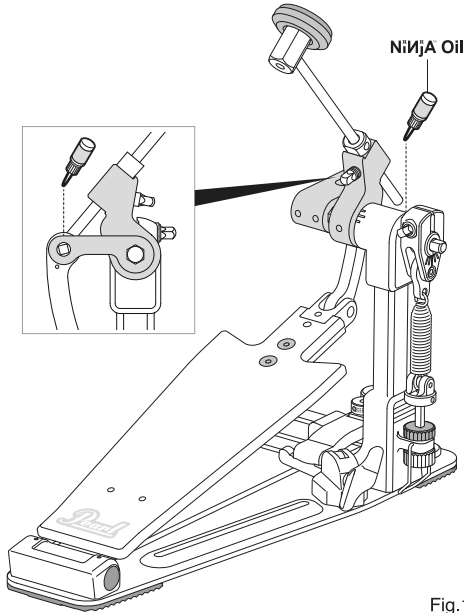


Fig.14

⚠ CAUTION

- ◆ Periodically check the Hoop Clamp Adjustment Knob, Key Bolts, and Allen Screws to ensure they are tight and secure.
- ◆ A drum key and hexagonal wrench are included for this purpose. Failure to do so may result in personal injury or property damage.
- ◆ Periodically apply lube for optimal speed and extended life of your pedal.
- ◆ Only use **NiNjA** Oil on **NiNjA** bearings.

California Proposition 65



Pearl[®]

<https://www.pearldrums.com>

Products and specifications are subject to change without notice.

Printed in China

-Nov 2021-