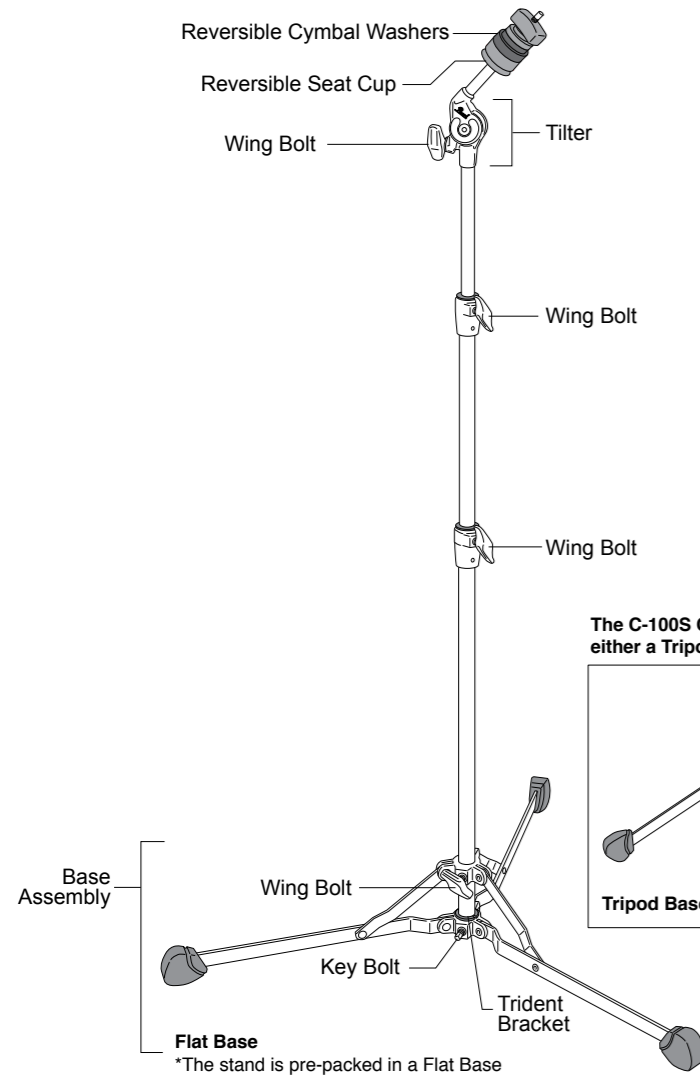


# PEARL CYMBAL STAND C-100S

## Instruction Manual

Congratulations on your purchase!  
To get optimum performance of your Cymbal Stand,  
please read this Instruction Manual before playing.



The C-100S Cymbal stand can be used in either a Tripod Base, or a Flat Base.

### Assembling the Base (from Flat Base to Tripod Base)

Loosen the Wing Bolt and the Key bolt using a tuning Key of the base, then, slide the legs off from the Base Pipe (Fig.1).

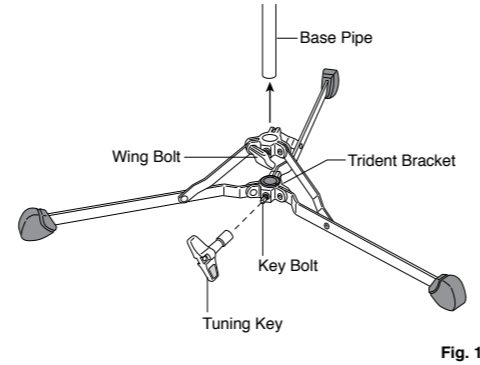


Fig. 1

**CAUTION**  
Support the Base Pipe with one hand to prevent the stand from falling.

Turn the Base Assembly over from Flat Base to Tripod Base, and change the Wing Bolt and the Key Bolt so that the Key Bolt is always at the bottom (Fig.2).

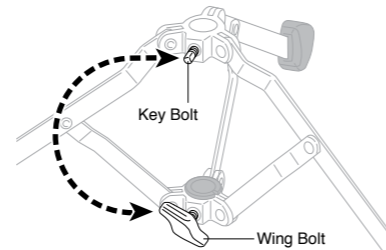


Fig. 2

Spread the legs and insert the Base Pipe. Make sure that the bottom of the pipe and the Trident Bracket are set flush, and tighten the Wing Bolt and the Key Bolt using a tuning Key (Fig.3).

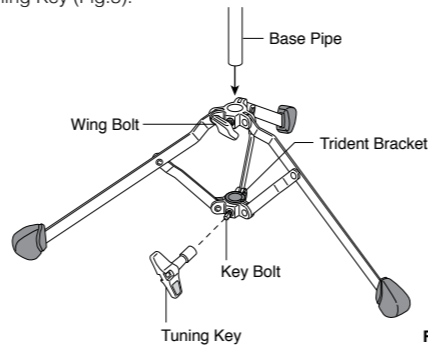


Fig. 3

### Assembling the Base (from Tripod Base to Flat Base)

Loosen the Wing Bolt and the Key bolt using a tuning Key of the base, then, slide the legs off from the Base Pipe (Fig.4).

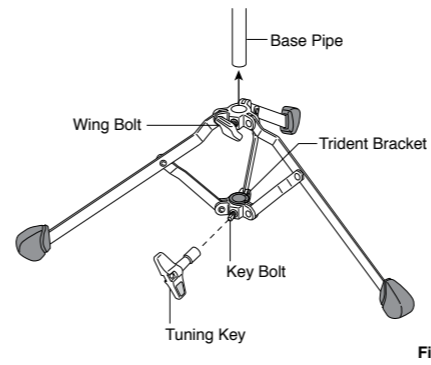


Fig. 4

**CAUTION**  
Support the Base Pipe with one hand to prevent the stand from falling.

Turn the Base Assembly over from Tripod Base to Flat Base, and change the Wing Bolt and the Key Bolt so that the Key Bolt is always at the bottom (Fig.5).

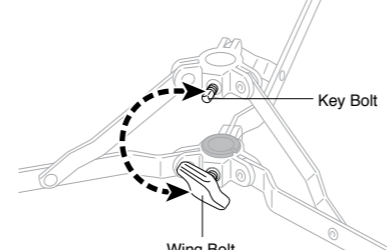


Fig. 5

Spread the legs and insert the Base Pipe. Make sure that the bottom of the pipe and the Trident Bracket are set flush, and tighten the Wing Bolt and the Key Bolt using a tuning Key (Fig.6).

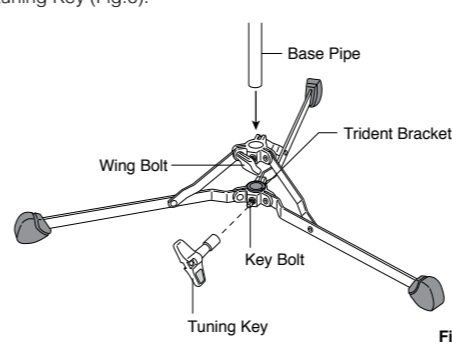
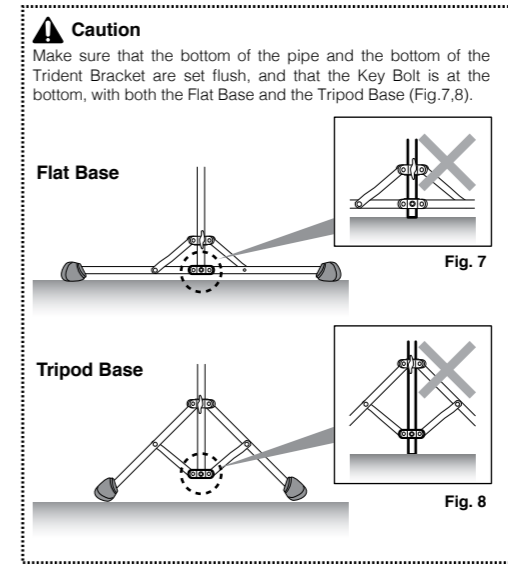


Fig. 6



### Reversible Cymbal Washer

The C-100S stands are equipped with Reversible Cymbal Washers with a Felt side and Foam side. With the Foam side against the cymbal, a bright, clear sound with long sustain is achieved. The Felt side gives a warmer and softer sound. Mix and match the top and bottom Reversible Cymbal Washers to find the sound you like best (Fig.9).

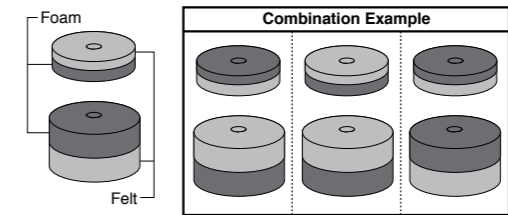


Fig. 9

**Caution**

- When making any adjustment, use one hand to support and make the adjustment while using your other hand to control the tension of the wing nut or wing bolt to prevent the stand from falling and pinching fingers that may be in the way.
- When folding the tripod legs, be careful not to pinch your fingers between the legs and the stand.
- When handling tubular hardware do not put your fingers into the tubes to prevent injury to your fingers.
- Do not tighten the bolts without the pipes inserted to prevent damage to the stand.

**Pearl**

<http://www.pearldrum.com>  
Products and specifications are subject to change without notice.  
Printed in China  
-1501-