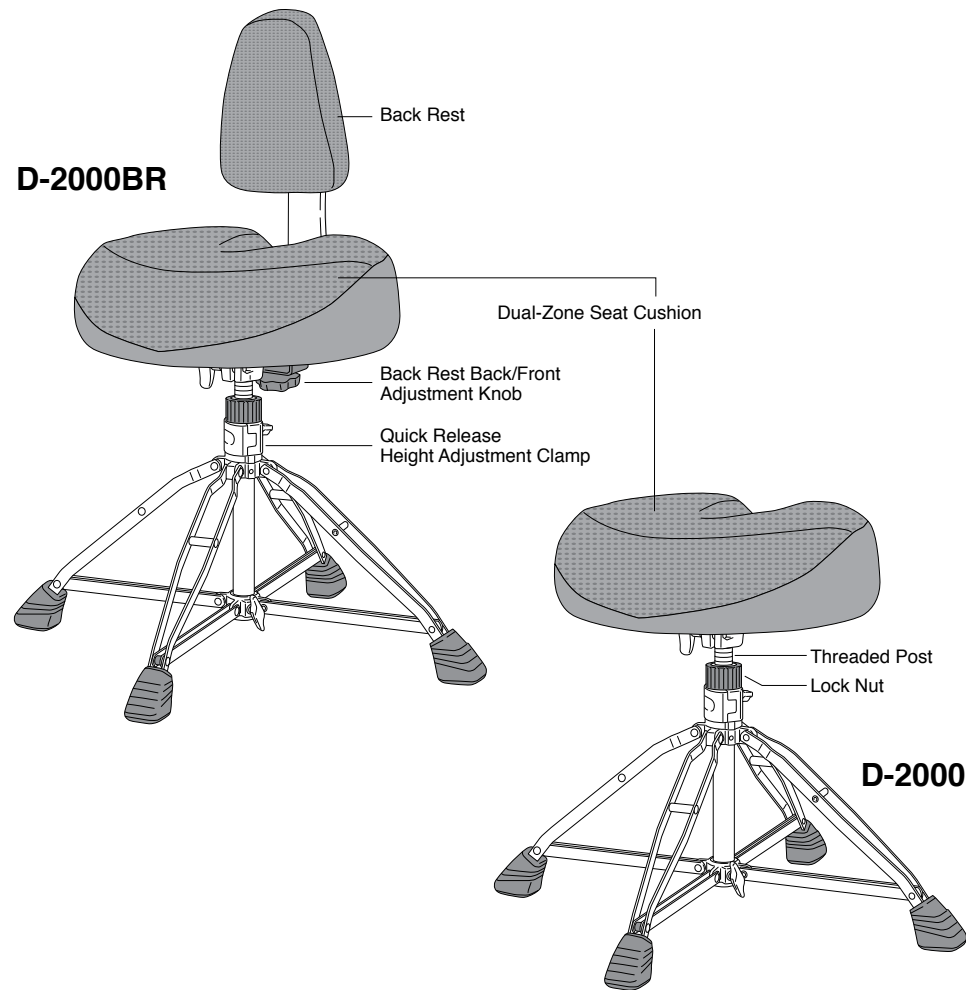


PEARL DRUM THRONE D-2000 / BR-2000A

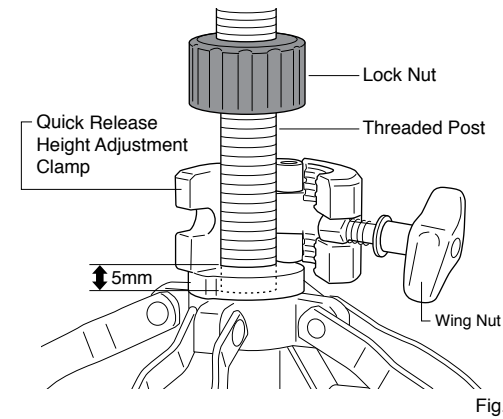
Instruction Manual

Congratulations on your purchase!
To get optimum performance from your Drum Throne,
please read this Instruction Manual before playing.



Quick Release Height Adjustment Clamp

1. Loosen the Wing Nut and open the Clamp. Lift the Threaded Post and spin the Lock Nut to the approximate desired height.
2. Close the clamp and latch the Wing Nut but only tighten it slightly.
3. Spin the Threaded Post until the desired height is achieved.
4. Tighten the Wing Nut securely then securely tighten the Lock Nut against the Clamp. (Fig.1)

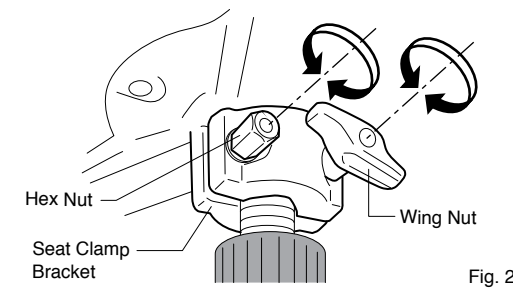


CAUTION:

- For correct operation, the threads on the Threaded Post and Clamp must be engaged properly. If they are not, turn the Threaded Post slightly until the threads match.
- When opening the Clamp, hold the Threaded Post with your free hand to keep it from dropping and pinching your fingers.
- For stability, keep AT LEAST 5mm of the Threaded Post below the clamp (please see the diagram).

Seat Attachment

When attaching the seat cushion to the base, make sure that the two halves of the Seat Clamp Bracket are parallel by adjusting the Hex Nut and Wing Nut accordingly. Tighten the Wing Nut securely to keep the seat cushion from turning. If you prefer the seat cushion to follow your body as you play, loosen the Wing Nut slightly. (Fig.2)

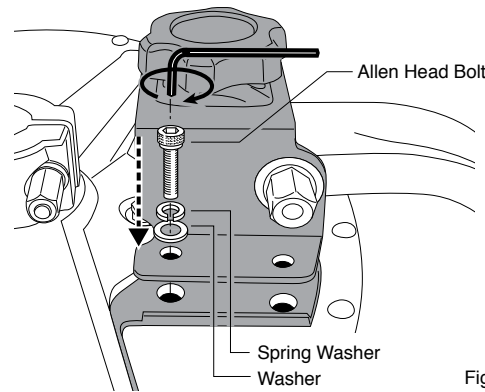


Back Rest

The D-2000BR features an adjustable Back Rest with adjustments for front/back and up/down positioning for optimum support and comfort.

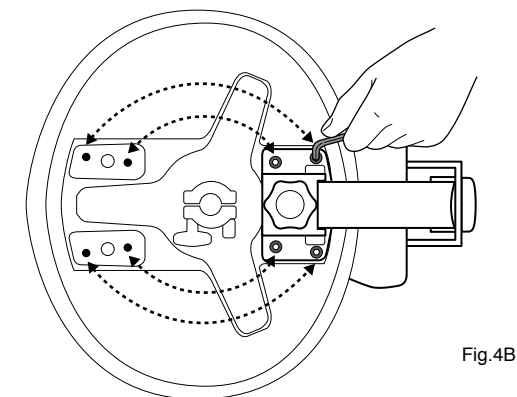
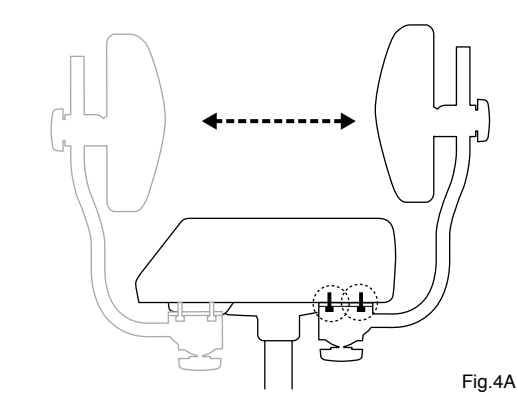
Back Rest Attachment

Assemble the Allen head bolts and washers in the sequence shown and attach the Back Rest to the Bracket under the seat cushion. Tighten the bolts securely. (Fig.3)



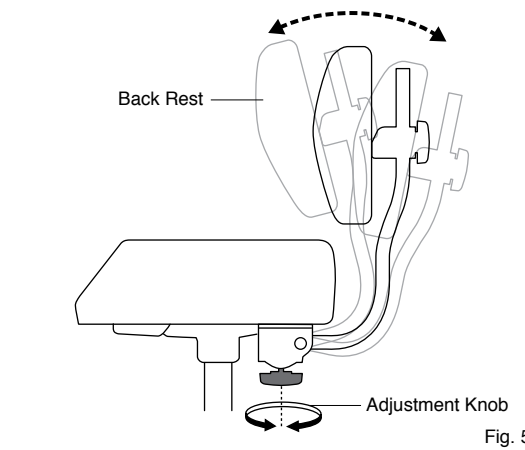
Back Rest Replacement

The Dual-Zone cushion allows sitting on either the tapered or straight ends of the seat. Attach the Back Rest to the appropriate side of the seat using the four Allen head bolts and the provided Allen wrench as shown in (Fig. 4A and 4B). Tighten the bolts securely.



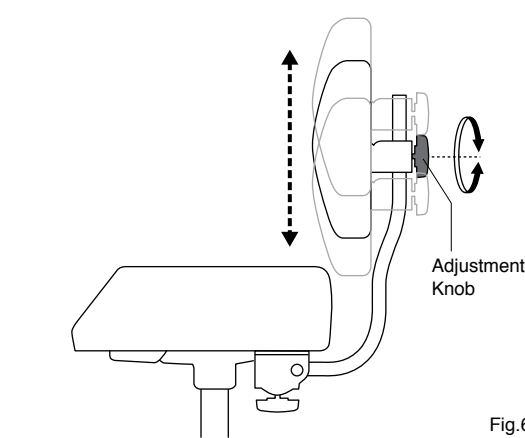
Front/Back Back Rest Adjustment

To move the Back Rest toward you, turn the adjustment knob clockwise; likewise, to move the Back Rest away from you, turn the adjustment knob counterclockwise (Fig.5).



Up/Down Back Rest Adjustment

Loosen the Adjustment Knob and slide the Back Rest up or down to the desired position and tighten the Adjustment Knob as shown in (Fig.6).



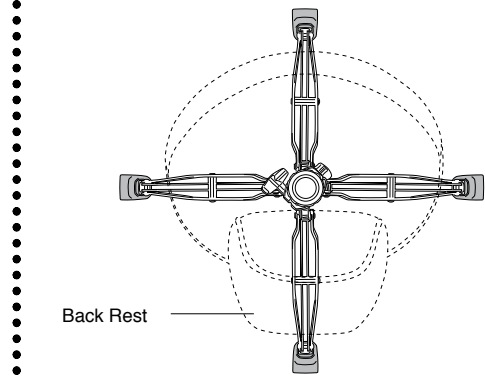
CAUTION:

- Adjusting the Front/Back and/or Up/Down settings of the Back Rest while seated may require twisting and reaching that can cause injury to your body. To prevent injury, perform these adjustments before sitting and repeat as necessary until the best comfort/support is achieved.

CAUTION:

- The Back Rest is designed to support your back while playing and is not intended to be used as a recliner.
- Leaning back too far on the Back Rest can cause bodily injury and/or damage to the Back Rest and Throne.

When using the Back Rest, align one of the legs under the Back Rest for optimum stability and to reduce the chance of tipping backward from leaning back too far.



The Drum Throne is intended for seating while playing drums. It is not designed as a ladder, footstool, or any other application other than its intended use.

When folding the tripod legs, be careful not to pinch your fingers between the legs and the stand.

When handling tubular hardware do not put your fingers into the tubes to prevent injury to your fingers.