



## Base Section Assembly (Fig.1)

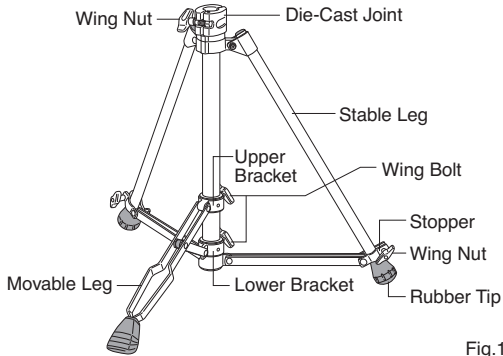


Fig.1

### a) Using on Flat Surface (As shown in Fig. 2)

1. Loosen the Wing Nuts on the Stoppers of the Stable Legs.
2. Slide the Stoppers to the end of the Legs to the Rubber Tip, and tighten the Wing Nuts.
3. Loosen the Wing Bolt on the Upper Bracket of the Movable Leg.
4. Slide the Upper Bracket up and adjust the position until the base stands straight up, and tighten the Wing Bolt.

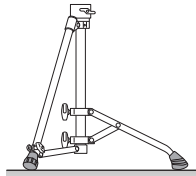


Fig.2

### b) Using on Uneven Surface (As shown in Fig. 3)

1. Loosen the Wing Nuts on the Stoppers of the Stable Legs.
2. Slide the Stoppers to the end of the Legs to the Rubber Tip, and tighten the Wing Nuts.
3. Loosen the Wing Bolts on the Upper and Lower Bracket of the Movable Leg.
4. Slide the Upper Bracket to the top of the pipe, and tighten the Wing Bolt.
5. Slide the Lower Bracket and adjust the position until the base stands straight up, and tighten the Wing Bolt.

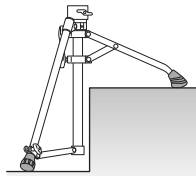


Fig.3

### Note

If the distance between the Rubber Tip of the Movable Leg and the center of the pipe becomes shorter than 30 cm, slide both the Upper and Lower Bracket and adjust their positions. Make sure to adjust the position so that the base stands straight up. (Fig. 4)

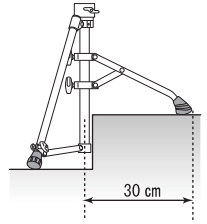


Fig.4

## Top Section Assembly (Fig.5)

1. Loosen the Wing Nut of the Die-Cast Joint of the Base.
2. Insert the top section as shown, and tighten the Wing Nut and the Key Bolt on the Stop Lock.

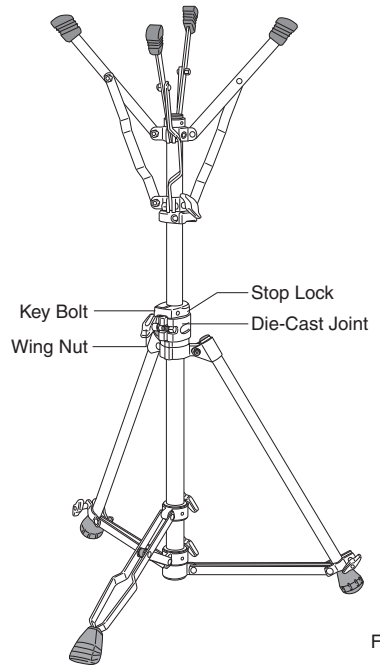


Fig.5

### Note

For height adjustment, loosen the Wing Bolt on the Die-Cast Joint and the Key Bolt on the Stop Lock, and slide the Top Section. Tighten the Wing Bolt on the Die-Cast Joint and the Key Bolt on the Stop Lock when desired height is achieved. Do NOT make height adjustment with the Bass Drum mounted on the stand.

## Setting the Bass Drum (Fig.6)

1. Spread the Basket Arms to fit between the bass drum hoops as shown and tighten the Wing Bolt.
2. Slide the Stop Lock against the Basket Arm Assembly and tighten the Key Bolt. The Stop Lock prevents slippage and memorizes the position of the Basket Arms for quick setups.
3. Make sure that only the Rubber Tips touch the drum tension rods and lugs (no metal contact) to prevent damage to these parts and the shell

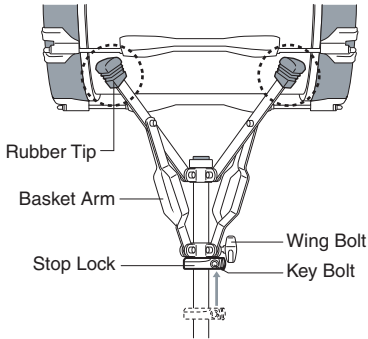


Fig.6

### CAUTION

- Do not use on unstable or sloped surfaces, as it could cause the stand to fall, resulting in damage and/or injury.
- Do not move the stand with the Bass Drum mounted on the stand.
- Before use, check all Stop Locks to assure they are properly positioned and secured.
- Periodically check all Wing Nuts and Wing Bolts to assure they are tightened securely.
- When making adjustments, support and control the parts being adjusted to prevent them from falling or pinching fingers that may be in the way.
- When folding the legs and the Basket Arm, be careful not to pinch your fingers between them and the stand.
- When handling tubular hardware, do not put your fingers into the tubes top to prevent injury to your fingers.

*Pearl*<sup>®</sup>

<http://www.pearldrums.com>

Products and specifications are subject to change without notice.

Printed in China

-1406-